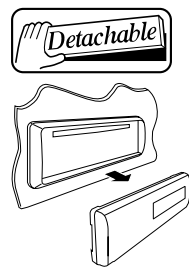


JVC

SERVICE MANUAL

CD RECEIVER

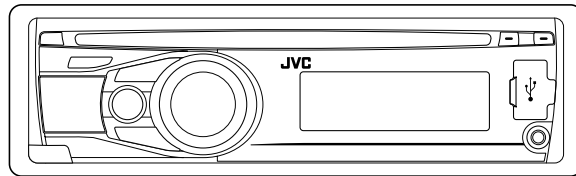
**KD-R35E, KD-R35EY, KD-R38EE, KD-R411E,
KD-R411EY, KD-R411EU, KD-R412E, KD-R412EY,
KD-R412EU, KD-R414UI, KD-R415U, KD-R415UN,
KD-R415UT, KD-R415UH, KD-R415UW, KD-R416U,
KD-R416UN, KD-R416UT, KD-R416UH, KD-R416UW,
KD-R417EE, KD-R418J, KD-R418UF, KD-R416SUN,
KD-R419UR, KD-S27J**



**MP3
WMA**



for
KD-R416
KD-R415



only KD-R418
KD-R419
KD-S27

Radio Data System

except KD-R418J
KD-R414, KD-S27

Lead free solder used in the board (material : Sn-Ag-Cu, melting point : 219 Centigrade)
Lead free solder used in the board (material : Sn-Cu, melting point : 230 Centigrade)

TABLE OF CONTENTS

1	PRECAUTION	1-7
2	SPECIFIC SERVICE INSTRUCTIONS	1-10
3	DISASSEMBLY	1-11
4	ADJUSTMENT	1-19
5	TROUBLESHOOTING	1-24

SPECIFICATION

KD-R412/KD-R411/KD-R35

AUDIO AMPLIFIER SECTION			
Maximum Power Output	Front/Rear	50 W per channel	
Continuous Power Output (RMS)	Front/Rear	19 W per channel into 4 Ω , 40 Hz to 20 000 Hz at no more than 0.8% total harmonic distortion.	
Load Impedance	4 Ω (4 Ω to 8 Ω allowance)		
Tone Control Range	Bass	± 12 dB (60 Hz, 80 Hz, 100 Hz, 200 Hz) Q1.0, Q1.25, Q1.5, Q2.0	
	Middle	± 12 dB (0.5 kHz, 1.0 kHz, 1.5 kHz, 2.5 kHz) Q0.75, Q1.0, Q1.25	
	Treble	± 12 dB (10.0 kHz, 12.5 kHz, 15.0 kHz, 17.5 kHz) Q (Fixed)	
Frequency Response	40 Hz to 20 000 Hz		
Signal-to-Noise Ratio	70 dB		
Line-Out Level/Impedance	Except KD-R35	2.5 V/20 k Ω load (full scale)	
Subwoofer-Out Level/Impedance	Except KD-R35	2.5 V/20 k Ω load (full scale)	
Output Impedance	1 k Ω		
Other Terminal	AUX (auxiliary) input jack, Aerial input		
TUNER SECTION			
Frequency Range	FM	87.5 MHz to 108.0 MHz (with channel interval set to 50 kHz)	
	AM	MW	530 kHz to 1 710 kHz (with channel interval set to 10 kHz)
		LW	531 kHz to 1 602 kHz (with channel interval set to 9 kHz)
FM Tuner	Usable Sensitivity	9.3 dBf (0.8 μ V/75 Ω)	
	50 dB Quieting Sensitivity	16.3 dBf (1.8 μ V/75 Ω)	
	Alternate Channel Selectivity (400 kHz)	65 dB	
	Frequency Response	40 Hz to 15 000 Hz	
	Stereo Separation	40 dB	
MW Tuner	Sensitivity	20 μ V	
	Selectivity	40 dB	
LW Tuner	Sensitivity	50 μ V	
CD PLAYER SECTION			
Type	Compact disc player		
Signal Detection System	Non-contact optical pickup (semiconductor laser)		
Number of Channels	2 channels (stereo)		
Frequency Response	5 Hz to 20 000 Hz		
Dynamic Range	93 dB		
Signal-to-Noise Ratio	98 dB		
Wow and Flutter	Less than measurable limit		
MP3 Decoding Format: (MPEG1/2 Audio Layer 3)	Max. Bit Rate: 320 kbps		
WMA (Windows Media® Audio) Decoding Format	Max. Bit Rate: 192 kbps		
USB SECTION			
USB Standard	USB 1.1, USB 2.0		
Data Transfer Rate (Full Speed)	Max. 12 Mbps		
Compatible Device	Mass storage class		
Compatible File System	FAT 32/16/12		
Playable Audio Format	MP3/WMA		
Max. Current	DC 5 V 500 mA		
GENERAL			
Power Requirement	Operating Voltage	DC 14.4 V (11 V to 16 V allowance)	
Grounding System	Negative ground		
Allowable Operating Temperature	0°C to +40°C		
Dimensions (W \times H \times D) (approx.)	Installation Size	182 mm \times 52 mm \times 160 mm	
	Panel Size	188 mm \times 58 mm \times 6 mm	
Mass	1.3 kg (excluding accessories)		

Design and specifications are subject to change without notice.

AUDIO AMPLIFIER SECTION		
Power Output		20 W RMS × 4 Channels at 4 Ω and < or = 1% THD+N
Signal-to-Noise Ratio		80 dBA (reference: 1 W into 4 Ω)
Load Impedance		4 Ω (4 Ω to 8 Ω allowance)
Tone Control Range	Bass	±12 dB (60 Hz, 80 Hz, 100 Hz, 200 Hz) Q1.0, Q1.25, Q1.5, Q2.0
	Middle	±12 dB (0.5 kHz, 1.0 kHz, 1.5 kHz, 2.5 kHz) Q0.75, Q1.0, Q1.25
	Treble	±12 dB (10.0 kHz, 12.5 kHz, 15.0 kHz, 17.5 kHz) Q (Fixed)
Frequency Response		40 Hz to 20 000 Hz
Line-Out Level/Impedance		2.5 V/20 kΩ load (full scale)
Subwoofer-Out Level/Impedance		2.5 V/20 kΩ load (full scale)
Output Impedance		1 kΩ
Other Terminal		USB input jack, AUX (auxiliary) input jack, Antenna input
TUNER SECTION		
Frequency Range	FM	87.5 MHz to 107.9 MHz (with channel interval set to 100 kHz or 200 kHz)
		87.5 MHz to 108.0 MHz (with channel interval set to 50 kHz)
	AM	530 kHz to 1 710 kHz (with channel interval set to 10 kHz)
		531 kHz to 1 602 kHz (with channel interval set to 9 kHz)
FM Tuner	Usable Sensitivity	
	9.3 dBf (0.8 μV/75 Ω)	
	50 dB Quieting Sensitivity	
	16.3 dBf (1.8 μV/75Ω)	
	Alternate Channel Selectivity (400 kHz)	
		65 dB
Frequency Response		40 Hz to 15 000 Hz
Stereo Separation		40 dB
AM Tuner	Sensitivity/Selectivity	
		20 μV/40 dB
CD PLAYER SECTION		
Type		Compact disc player
Signal Detection System		Non-contact optical pickup (semiconductor laser)
Number of Channels		2 channels (stereo)
Frequency Response		5 Hz to 20 000 Hz
Dynamic Range		96 dB
Signal-to-Noise Ratio		98 dB
Wow and Flutter		Less than measurable limit
MP3 Decoding Format: (MPEG1/2 Audio Layer 3)		Max. Bit Rate: 320 kbps
WMA (Windows Media® Audio) Decoding Format		Max. Bit Rate: 320 kbps
USB SECTION		
USB Standard		USB 1.1, USB 2.0
Data Transfer Rate (Full Speed)		Max. 12 Mbps
Compatible Device		Mass storage class
Compatible File System		FAT 32/16/12
Playable Audio Format		MP3/WMA
Max. Current		DC 5 V 500 mA
GENERAL		
Power Requirement		Operating Voltage DC 14.4 V (11 V to 16 V allowance)
Grounding System		Negative ground
Allowable Operating Temperature		0°C to +40°C (32°F to 104°F)
Dimensions (W × H × D)	Installation Size (approx.)	182 mm × 52 mm × 160 mm (7-3/16" × 2-1/16" × 6-5/16")
	Panel Size (approx.)	188 mm × 58 mm × 6 mm (7-7/16" × 2-5/16" × 1/4")
Mass (approx.)		1.3 kg (2.9 lbs) (excluding accessories)

Design and specifications are subject to change without notice.

KD-R414

AUDIO AMPLIFIER SECTION		
Maximum Power Output	Front/Rear	50 W per channel
Continuous Power Output (RMS)	Front/Rear	19 W per channel into 4 Ω , 40 Hz to 20 000 Hz at no more than 0.8% total harmonic distortion.
Load Impedance		4 Ω (4 Ω to 8 Ω allowance)
Tone Control Range	Bass	± 12 dB (60 Hz, 80 Hz, 100 Hz, 200 Hz) Q1.0, Q1.25, Q1.5, Q2.0
	Middle	± 12 dB (0.5 kHz, 1.0 kHz, 1.5 kHz, 2.5 kHz) Q0.75, Q1.0, Q1.25
	Treble	± 12 dB (10.0 kHz, 12.5 kHz, 15.0 kHz, 17.5 kHz) Q (Fixed)
Frequency Response		40 Hz to 20 000 Hz
Signal-to-Noise Ratio		70 dB
Line-Out Level/Impedance		5.0 V/20 k Ω load (full scale)
Output Impedance		1 k Ω
Other Terminal		AUX (auxiliary) input jack, USB input jack, Antenna input
TUNER SECTION		
Frequency Range	FM	87.5 MHz to 108.0 MHz
	AM	531 kHz to 1602 kHz
FM Tuner	Usable Sensitivity	9.3 dBf (0.8 μ V/75 Ω)
	50 dB Quieting Sensitivity	16.3 dBf (1.8 μ V/75 Ω)
	Alternate Channel Selectivity (400 kHz)	65 dB
	Frequency Response	40 Hz to 15 000 Hz
	Stereo Separation	40 dB
AM Tuner	Sensitivity/Selectivity	20 μ V/40 dB
CD PLAYER SECTION		
Type	Compact disc player	
Signal Detection System	Non-contact optical pickup (semiconductor laser)	
Number of Channels	2 channels (stereo)	
Frequency Response	5 Hz to 20 000 Hz	
Dynamic Range	93 dB	
Signal-to-Noise Ratio	98 dB	
Wow and Flutter	Less than measurable limit	
MP3 Decoding Format: (MPEG1/2 Audio Layer 3)	Max. Bit Rate: 320 kbps	
WMA (Windows Media® Audio) Decoding Format	Max. Bit Rate: 192 kbps	
USB SECTION		
USB Standard	USB 1.1, USB 2.0	
Data Transfer Rate (Full Speed)	Max. 12 Mbps	
Compatible Device	Mass storage class	
Compatible File System	FAT 32/16/12	
Playable Audio Format	MP3/WMA	
Max. Current	DC 5 V 500 mA	
GENERAL		
Power Requirement	Operating Voltage	DC 14.4 V (11 V to 16 V allowance)
Grounding System	Negative ground	
Allowable Operating Temperature	0°C to +40°C	
Dimensions (W \times H \times D) (approx.)	Installation Size	182 mm \times 52 mm \times 160 mm
	Panel Size	188 mm \times 58 mm \times 6 mm
Mass (approx.)	1.3 kg (excluding accessories)	

Design and specifications are subject to change without notice.

KD-R417/KD-R38

AUDIO AMPLIFIER SECTION			
Maximum Power Output	Front/Rear	50 W per channel	
Continuous Power Output (RMS)	Front/Rear	19 W per channel into 4 Ω , 40 Hz to 20 000 Hz at no more than 0.8% total harmonic distortion.	
Load Impedance	4 Ω (4 Ω to 8 Ω allowance)		
Tone Control Range	Bass	± 12 dB (60 Hz, 80 Hz, 100 Hz, 200 Hz) Q1.0, Q1.25, Q1.5, Q2.0	
	Middle	± 12 dB (0.5 kHz, 1.0 kHz, 1.5 kHz, 2.5 kHz) Q0.75, Q1.0, Q1.25	
	Treble	± 12 dB (10.0 kHz, 12.5 kHz, 15.0 kHz, 17.5 kHz) Q (Fixed)	
Frequency Response	40 Hz to 20 000 Hz		
Signal-to-Noise Ratio	70 dB		
Line-Out Level/Impedance	KD-R417	2.5 V/20 k Ω load (full scale)	
Subwoofer-Out Level/Impedance	KD-R417	2.5 V/20 k Ω load (full scale)	
Output Impedance	1 k Ω		
Other Terminal	AUX (auxiliary) input jack, USB input jack (for KD-R414), Antenna input		
TUNER SECTION			
Frequency Range	FM	87.5 MHz to 108.0 MHz	
	FM-LO	65.00 MHz to 74.00 MHz	
	AM	MW	531 kHz to 1602 kHz
LW		144 kHz to 279 kHz	
FM Tuner	Usable Sensitivity		9.3 dBf (0.8 μ V/75 Ω)
	50 dB Quieting Sensitivity		16.3 dBf (1.8 μ V/75 Ω)
	Alternate Channel Selectivity (400 kHz)		65 dB
	Frequency Response		40 Hz to 15 000 Hz
	Stereo Separation		40 dB
AM Tuner	MW	Sensitivity/Selectivity	20 μ V/40 dB
	LW	Sensitivity	50 μ V
CD PLAYER SECTION			
Type	Compact disc player		
Signal Detection System	Non-contact optical pickup (semiconductor laser)		
Number of Channels	2 channels (stereo)		
Frequency Response	5 Hz to 20 000 Hz		
Dynamic Range	93 dB		
Signal-to-Noise Ratio	98 dB		
Wow and Flutter	Less than measurable limit		
MP3 Decoding Format: (MPEG1/2 Audio Layer 3)	Max. Bit Rate: 320 kbps		
WMA (Windows Media® Audio) Decoding Format	Max. Bit Rate: 192 kbps		
USB SECTION			
USB Standard	USB 1.1, USB 2.0		
Data Transfer Rate (Full Speed)	Max. 12 Mbps		
Compatible Device	Mass storage class		
Compatible File System	FAT 32/16/12		
Playable Audio Format	MP3/WMA		
Max. Current	DC 5 V 500 mA		
GENERAL			
Power Requirement	Operating Voltage	DC 14.4 V (11 V to 16 V allowance)	
Grounding System	Negative ground		
Allowable Operating Temperature	0°C to +40°C		
Dimensions (W \times H \times D) (approx.)	Installation Size	182 mm \times 52 mm \times 160 mm	
	Panel Size	188 mm \times 58 mm \times 6 mm	
Mass (approx.)	1.3 kg (excluding accessories)		

Design and specifications are subject to change without notice.

AUDIO AMPLIFIER SECTION		
Maximum Power Output	Front/Rear	50 W per channel
Continuous Power Output (RMS)	Front/Rear	19 W per channel into 4 Ω, 40 Hz to 20 000 Hz at no more than 0.8% total harmonic distortion.
Load Impedance		4 Ω (4 Ω to 8 Ω allowance)
Tone Control Range	Bass	±12 dB (60 Hz, 80 Hz, 100 Hz, 200 Hz) Q1.0, Q1.25, Q1.5, Q2.0
	Middle	±12 dB (0.5 kHz, 1.0 kHz, 1.5 kHz, 2.5 kHz) Q0.75, Q1.0, Q1.25
	Treble	±12 dB (10.0 kHz, 12.5 kHz, 15.0 kHz, 17.5 kHz) Q (Fixed)
Frequency Response		40 Hz to 20 000 Hz
Signal-to-Noise Ratio		70 dB
Line-Out Level/Impedance		5.0 V/20 kΩ load (full scale)
Subwoofer-Out Level/Impedance		5.0 V/20 kΩ load (full scale)
Output Impedance		1 kΩ
Other Terminal		AUX (auxiliary) input jack, USB input jack, Antenna input
TUNER SECTION		
Frequency Range	FM	87.5 MHz to 108.0 MHz
	AM	531 kHz to 1602 kHz
FM Tuner	Usable Sensitivity	9.3 dBf (0.8 μV/75 Ω)
	50 dB Quieting Sensitivity	16.3 dBf (1.8 μV/75Ω)
	Alternate Channel Selectivity (400 kHz)	65 dB
	Frequency Response	40 Hz to 15 000 Hz
	Stereo Separation	40 dB
AM Tuner	Sensitivity	20μV
	Selectivity	40 dBμ
CD PLAYER SECTION		
Type		Compact disc player
Signal Detection System		Non-contact optical pickup (semiconductor laser)
Number of Channels		2 channels (stereo)
Frequency Response		5 Hz to 20 000 Hz
Dynamic Range		93 dB
Signal-to-Noise Ratio		98 dB
Wow and Flutter		Less than measurable limit
MP3 Decoding Format: (MPEG1/2 Audio Layer 3)		Max. Bit Rate: 320 kbps
WMA (Windows Media® Audio) Decoding Format		Max. Bit Rate: 192 kbps
USB SECTION		
USB Standard		USB 1.1, USB 2.0
Data Transfer Rate (Full Speed)		Max. 12 Mbps
Compatible Device		Mass storage class
Compatible File System		FAT 32/16/12
Playable Audio Format		MP3/WMA
Max. Current		DC 5 V 500 mA
GENERAL		
Power Requirement	Operating Voltage	DC 14.4 V (11 V to 16 V allowance)
Grounding System		Negative ground
Allowable Operating Temperature		0°C to +40°C
Dimensions (W × H × D) (approx.)	Installation Size	182 mm × 52 mm × 160 mm
	Panel Size	188 mm × 58 mm × 6 mm
Mass (approx.)		1.3 kg (excluding accessories)

Design and specifications are subject to change without notice.

SECTION 1 PRECAUTION

1.1 Safety Precautions



CAUTION Burrs formed during molding may be left over on some parts of the chassis. Therefore, pay attention to such burrs in the case of performing repair of this system.



CAUTION Please use enough caution not to see the beam directly or touch it in case of an adjustment or operation check.

1.2 Preventing static electricity

Electrostatic discharge (ESD), which occurs when static electricity stored in the body, fabric, etc. is discharged, can destroy the laser diode in the traverse unit (optical pickup). Take care to prevent this when performing repairs.

1.2.1 Grounding to prevent damage by static electricity

Static electricity in the work area can destroy the optical pickup (laser diode) in devices such as laser products.

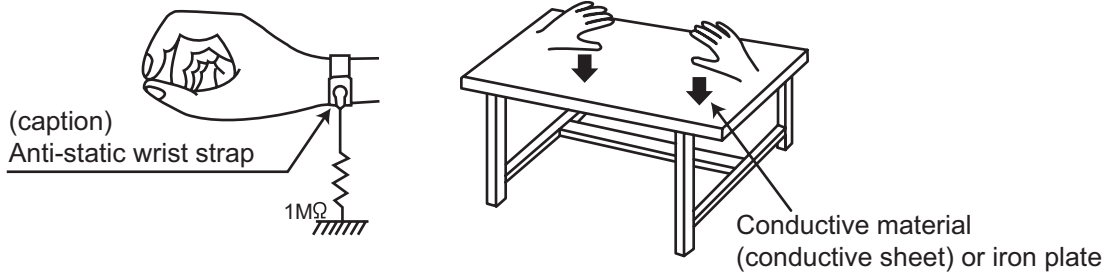
Be careful to use proper grounding in the area where repairs are being performed.

(1) Ground the workbench

Ground the workbench by laying conductive material (such as a conductive sheet) or an iron plate over it before placing the traverse unit (optical pickup) on it.

(2) Ground yourself

Use an anti-static wrist strap to release any static electricity built up in your body.



(3) Handling the optical pickup

- In order to maintain quality during transport and before installation, both sides of the laser diode on the replacement optical pickup are shorted. After replacement, return the shorted parts to their original condition. (Refer to the text.)
- Do not use a tester to check the condition of the laser diode in the optical pickup. The tester's internal power source can easily destroy the laser diode.

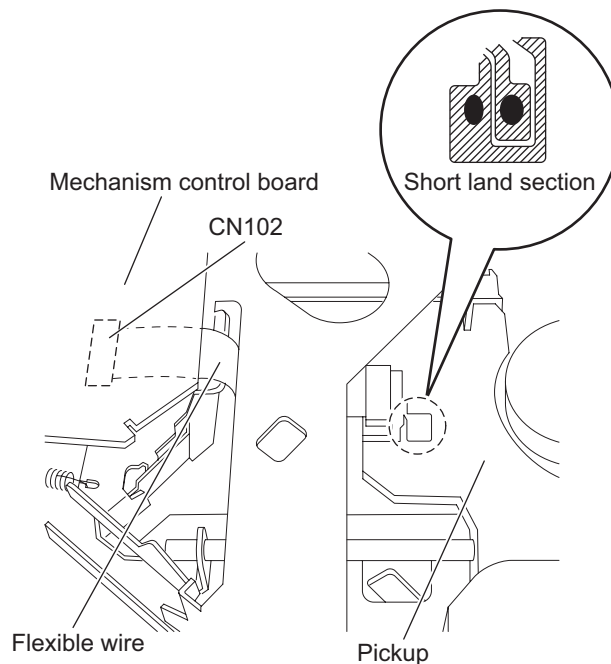
1.3 Handling the traverse unit (optical pickup)

- (1) Do not subject the traverse unit (optical pickup) to strong shocks, as it is a sensitive, complex unit.
- (2) Cut off the shorted part of the flexible cable using nippers, etc. after replacing the optical pickup. For specific details, refer to the replacement procedure in the text. Remove the anti-static pin when replacing the traverse unit. Be careful not to take too long a time when attaching it to the connector.
- (3) Handle the flexible cable carefully as it may break when subjected to strong force.
- (4) It is not possible to adjust the semi-fixed resistor that adjusts the laser power. Do not turn it.

1.4 Attention when traverse unit is decomposed

***Please refer to "Disassembly method" in the text for the pickup unit.**

- Apply solder to the short land before the card wire is disconnected from the connector on the pickup unit. (If the card wire is disconnected without applying solder, the pickup may be destroyed by static electricity.)
- In the assembly, be sure to remove solder from the short land after connecting the card wire.



1.5 Important for laser products

1.CLASS 1 LASER PRODUCT

2.CAUTION :

(For U.S.A.) Visible and/or invisible class II laser radiation when open. Do not stare into beam.
(Others) Visible and/or invisible class 1M laser radiation when open. Do not view directly with optical instruments.

3.CAUTION : Visible and/or invisible laser radiation when open and inter lock failed or defeated. Avoid direct exposure to beam.

4.CAUTION : This laser product uses visible and/or invisible laser radiation and is equipped with safety switches which prevent emission of radiation when the drawer is open and the safety interlocks have failed or are defeated. It is dangerous to defeat the safety switches.

(For U.S.A.)

CAUTION : Visible and/or invisible class II laser radiation when open. Do not stare into beam.

(Others)

CAUTION : Visible and/or invisible class 1M laser radiation when open. Do not view directly with optical instruments

ACHTUNG: Sichtbare und/oder unsichtbare Laserstrahlung der Klasse 1M bei offenen Abdeckungen. Nicht direkt mit optischen Instrumenten betrachten.

ATTENTION: Rayonnement laser visible et/ou invisible de classe 1M une fois ouvert. Ne pas regarder directement avec des instruments optiques.

VOORZICHTIG: Zichtbare en/of onzichtbare klasse 1M laserstralen indien geopend. Bekijk niet direct met optische instrumenten.

ATTENZIONE: Radiazione laser in classe 1M visibile e/o invisibile quando aperto. Non osservare direttamente con strumenti ottici.

WARNING: Synlig och/eller osynlig laserstrålning, klass 1M, när denna del är öppnad. Betrakta ej strålen med optiska instrument.

VARO! Avattaessa olet alttiina näkyvälle ja/tai näkymättömälle luokan 1M lasersäteilylle. Älä tarkastele sitä optisen laitteen läpi.

ADVARSEL: Synlig og/eller usynlig klasse 1M-laserstråling ved åbning. Se ikke direkte med optiske instrumenter.

AVISO: Radiación láser de clase 1M visible y/o invisible cuando está abierto. No mirar directamente con instrumental óptico.

PRECAUÇÃO: Radiação laser de classe 1M visível e/ou invisível quando aberto. Não olhe diretamente com instrumentos ópticos.

5.CAUTION : If safety switches malfunction, the laser is able to function.

6.CAUTION : Use of controls, adjustments or performance of procedures other than those specified here in may result in hazardous radiation exposure.



CAUTION Please use enough caution not to see the beam directly or touch it in case of an adjustment or operation check.

PRECAUÇÃO: Radiação laser de classe 1M visível e/ou invisível quando aberto. Não olhe diretamente com instrumentos ópticos.

ПРЕДУПРЕЖДЕНИЕ: В открытом состоянии происходит видимое и/или невидимое излучение лазера класса 1M. Не смотрите непосредственно в оптические инструменты.

UWAGA: Otwarcie spowoduje narażenie na widzialne i/lub niewidzialne promieniowanie lasera klasy 1M. Nie patrzeć bezpośrednio w przyrządy optyczne.

UPOZORNĚNÍ: Při otevření vydává viditelné popř. neviditelné laserové ozáření třídy 1M. Nedívejte se do otvoru přímo s optickými nástroji.

FIGYELMEZTETÉS: Látható és/vagy láthatatlan 1M osztályú sugárzás nyitott állapotban. Ne nézze közvetlenül optikai műszerekkel.

注意：打開蓋板可能會產生可見或不可見的 1M 級鐳射。不要使用光學儀器直接進行窺視。

注意：打开盖板可能会产生可见或不可见的 1M 级辐射。不要使用光学仪器直接进行窥视。

تنبيه: يوجد إشعاع ليزري مرئي و/أو غير مرئي من الفئة 1M عندما يكون الجهاز مفتوحاً. تجنب النظر مباشرة داخل الجهاز باستخدام أدوات بصرية.

احتياط: هنگامی که باز گردد، تشعشع مرئی و یا نامرئی کلاس 1M لیزر وجود دارد. با لوازم چشمی مستقیماً به آن نگاه نکنید.

주의: 개방하면 가지 및/또는 비가시 클래스 1M 레이저 방사선이 나옵니다. 광학 기구로 직접 들여다보지 마십시오.

REPRODUCTION AND POSITION OF LABELS and PRINT WARNING LABEL and PRINT



CAUTION VISIBLE AND/OR INVISIBLE CLASS 1M LASER RADIATION WHEN OPEN. DO NOT VIEW DIRECTLY WITH OPTICAL INSTRUMENTS. IEC80025-1:2001 (ENG)	ATTENTION RAYONNEMENT LASER VISIBLE ET/OU INVISIBLE DE CLASSE 1M UNE FOIS OUVERT. NE PAS REGARDER DIRECTEMENT AVEC DES INSTRUMENTS OPTIQUES. (FRA)	AVISO RADIACIÓN LÁSER DE CLASE 1M VISIBLE Y/O INVISIBLE CUANDO ESTA ABIERTO. NO MIRAR DIRECTAMENTE CON INSTRUMENTAL ÓPTICO. (ESP)	WARNING SYNLIG OCH/ELLER OSYNLIG LASERSTRÅLNING, KLASS 1M, NÄR DENNA LÄSAR-ÅSÄTTNING DEL ÄR ÖPPNAD. BETRAKTA EJ STRÅLEN MED OPTISKA INSTRUMENT. (SWE)	注意 ここを覗くと可視 及び/または不可視 のクラス1M レーザー放射が 出ます。 光学装置で直接 覗いてください。 LIPN	CAUTION VISIBLE AND/OR INVISIBLE CLASS 1 LASER RADIATION WHEN OPEN. DO NOT STARE INTO BEAM. FMA 21 CFI (ENG) LV44803-003A
--	--	---	--	--	--

SECTION 2
SPECIFIC SERVICE INSTRUCTIONS

This service manual does not describe SPECIFIC SERVICE INSTRUCTIONS.

SECTION 3 DISASSEMBLY

3.1 Main body (Used figure were KD-R418J)

3.1.1 Removing the Bottom chassis (See Fig.1)

- (1) Remove the three screws **A** attaching the Heat sink.
- (2) Remove the one screw **B** and one screw **C** attaching the Bottom chassis.

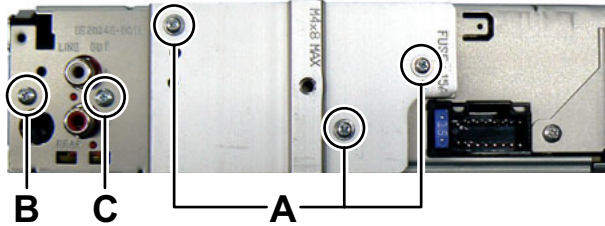


Fig.1

3.1.2 Removing the Front chassis (See Fig.2)

- (1) Disengage four hooks **a** engaged both side of the Front chassis.

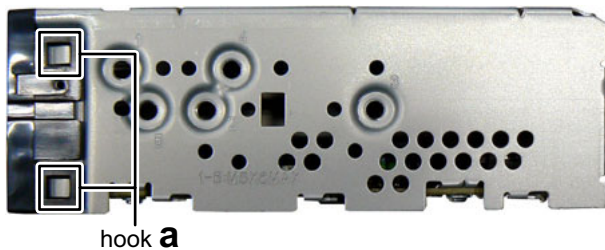


Fig.2

3.1.3 Removing the Side plate (See Fig.3)

- (1) Remove the two screws **D** and one screw **E** attaching the Side plate.

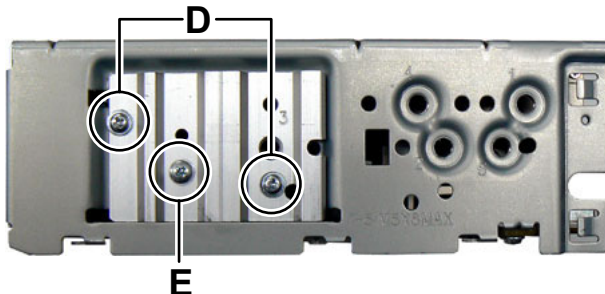


Fig.3

3.1.4 Removing the Main board (See Fig.4, 5)

- (1) Remove the one screw **F** attaching the main board. (See Fig.4)

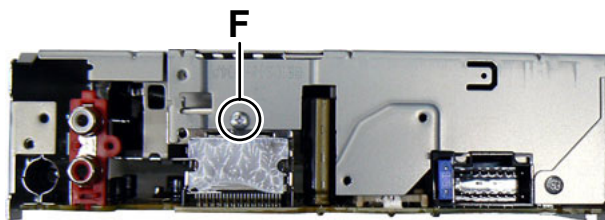


Fig.4

- (2) Remove the three screws **G** attaching the Main board. (See Fig.5)

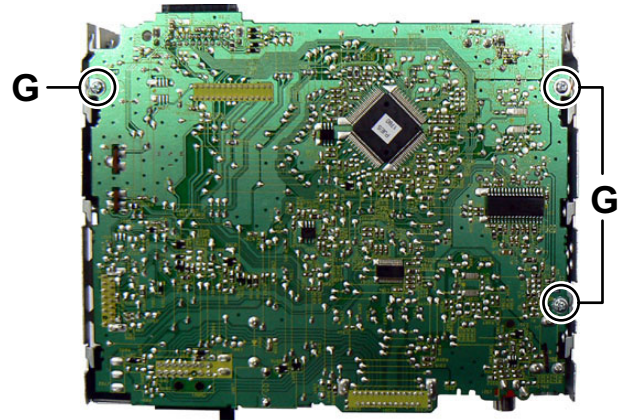


Fig.5

3.1.5 Removing the CD mechanism (See Fig.6)

- (1) Remove the three screws **H** attaching the CD mechanism.

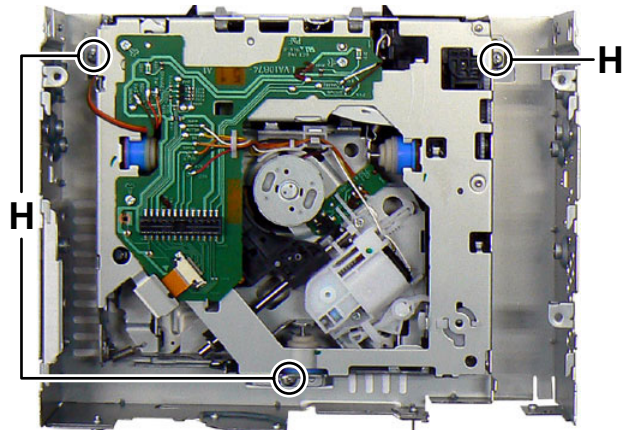


Fig.6

3.1.6 Removing the Switch board (See Fig.7)

- (1) Remove the Volume knob.
- (2) Remove the four screws **J** attaching the Rear cover.
- (3) Disengage eleven hooks **b** engaged Rear cover.

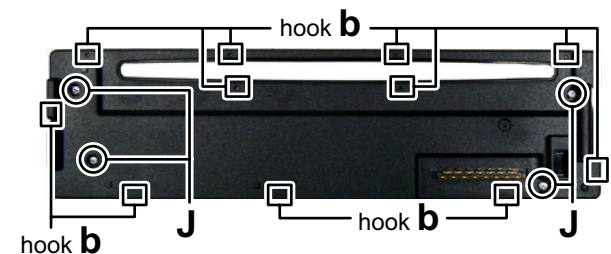


Fig.7

3.2 CD MECHANISM assembly section

- Remove the CD MECHANISM assembly from the main body.

3.2.1 Removing the MECHANISM CONTROL BOARD assembly (See Fig.1 and 2)

- (1) From the bottom side of CD MECHANISM assembly, remove the solders from the soldered sections (a, b and c) on the MECHANISM CONTROL BOARD assembly. (See Fig.1.)
- (2) Remove the three screws **A** attaching the MECHANISM CONTROL BOARD assembly. (See Fig.1.)
- (3) Solder the short land sections on the pickup. (See Fig.2.)

Caution:

- Solder the short land sections on the pickup before disconnecting the flexible wire from the connector [CN102](#) on the MECHANISM CONTROL BOARD assembly. If the card wire is disconnected without attaching solder, the pickup may be destroyed by static electricity. (See Fig.2.)
- When attaching the MECHANISM CONTROL BOARD assembly, remove the solders from the short land sections after connecting the flexible wire to the connector [CN102](#) on the MECHANISM CONTROL BOARD assembly.

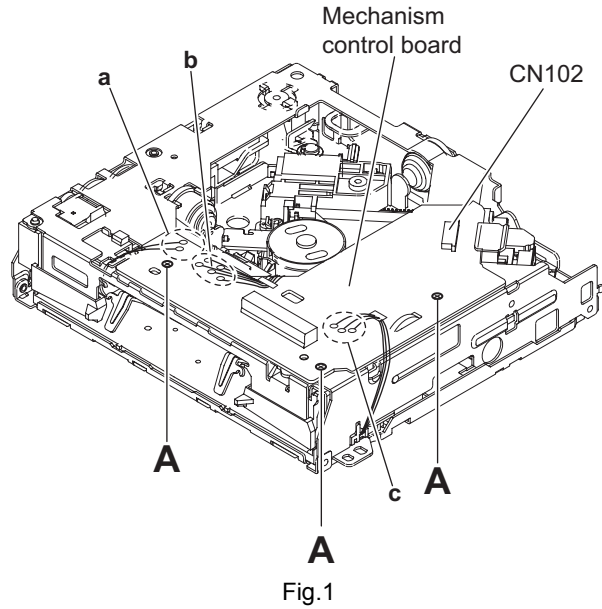


Fig.1

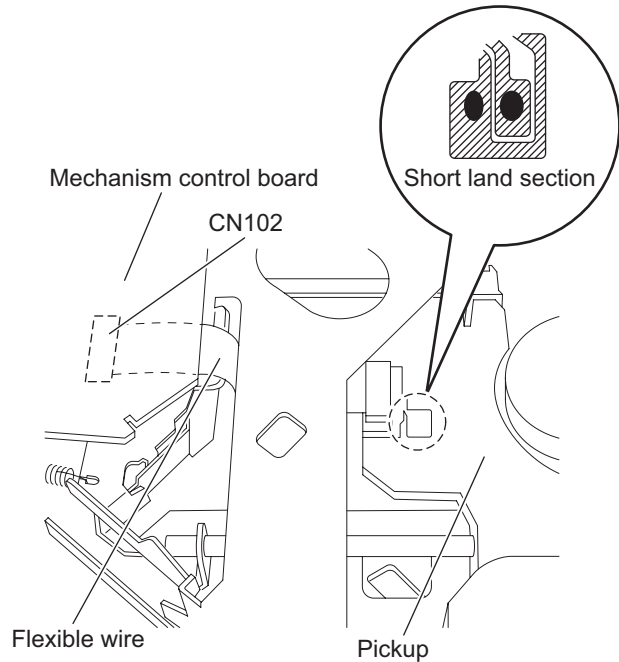


Fig.2

3.2.2 Removing the top cover (See Fig.3 to 5)

- Remove the MECHANISM CONTROL BOARD assembly.
 - From the front side of the CD MECHANISM assembly, change the hook position of the two roller springs. (See Fig.3.)
 - From the side of the CD MECHANISM assembly, remove the six screws **B** attaching the top cover. (See Fig.3 and 4.)
 - Take out the top cover in an upward direction. (See Fig.5.)

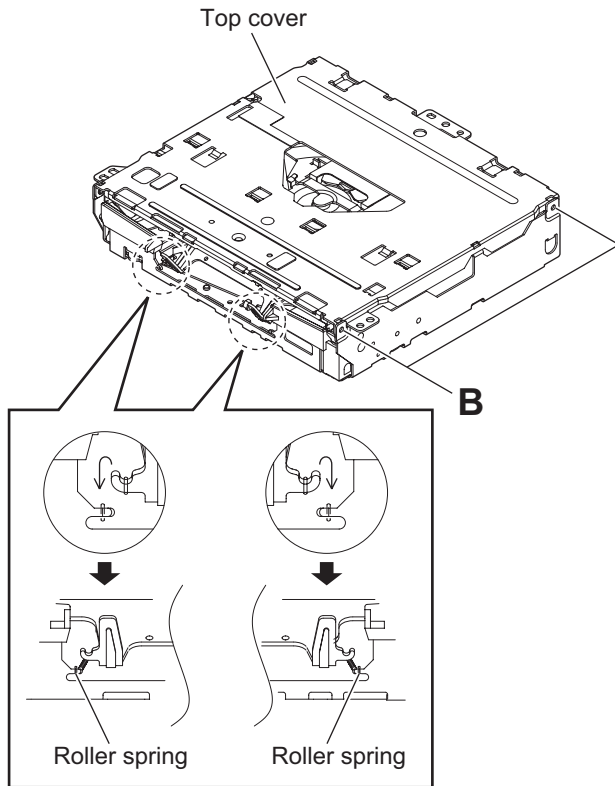


Fig.3

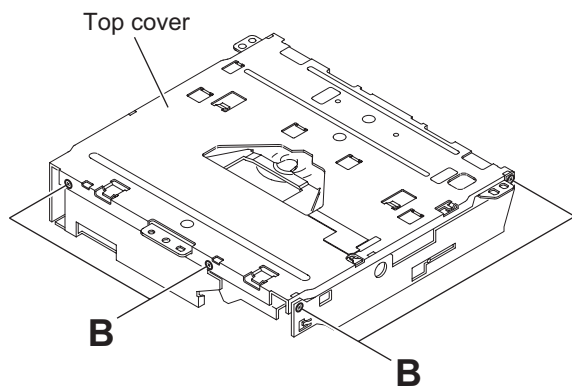


Fig.4

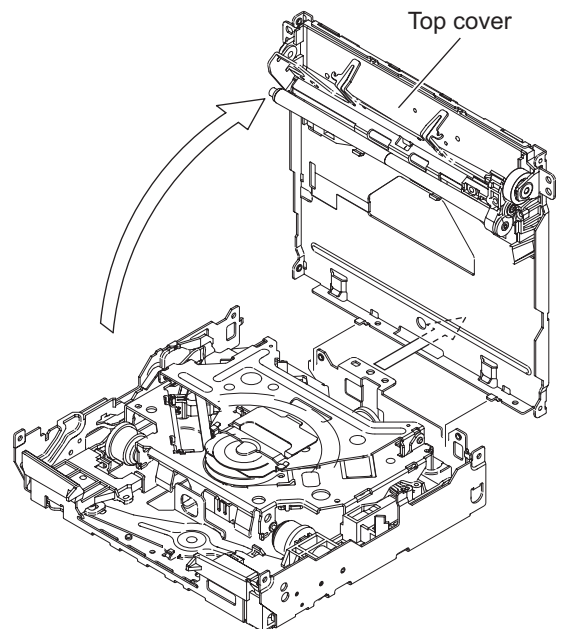


Fig.5

3.2.3 Removing the roller (See Fig.6)

- Remove the MECHANISM CONTROL BOARD assembly and top cover.
 - From the bottom side of the top cover, remove the screw **C** attaching the gear holder.
 - Remove the R.holder assembly from disc plate, and then take out the roller from R.holder assembly in the direction of the arrow.

Reference:

When attaching the R.ACT gear (2) and R.ACT gear (3), apply grease to the section **d** of R.holder assembly.

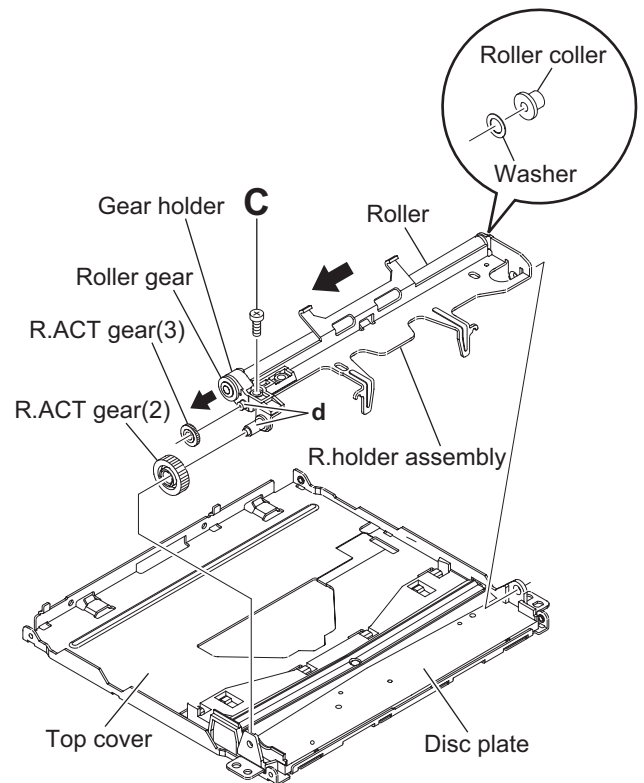
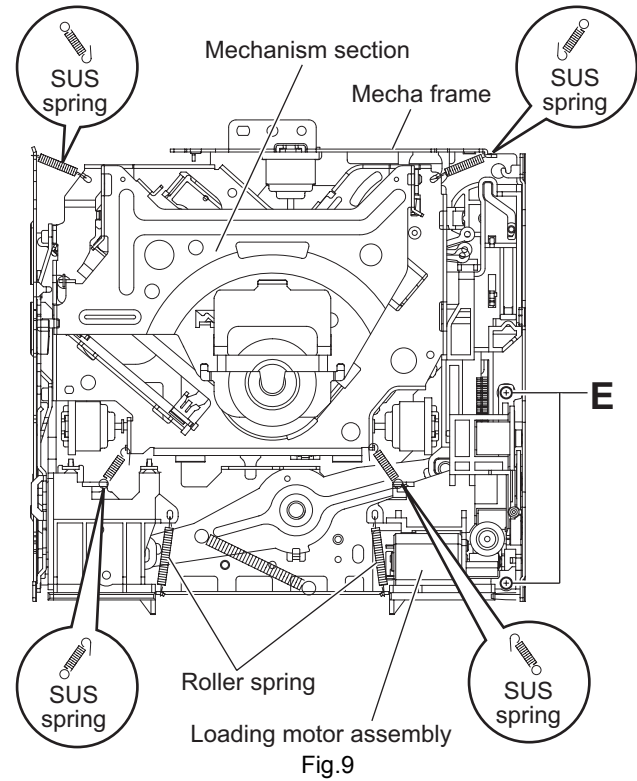
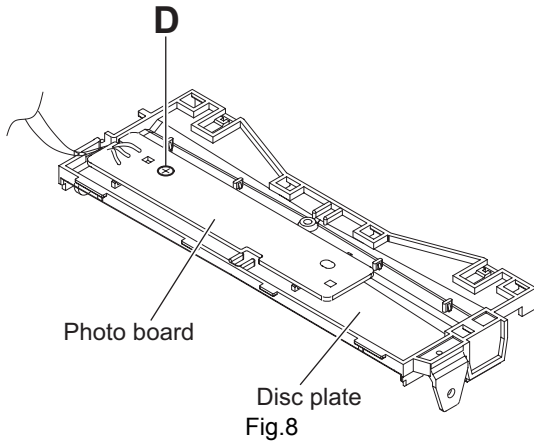
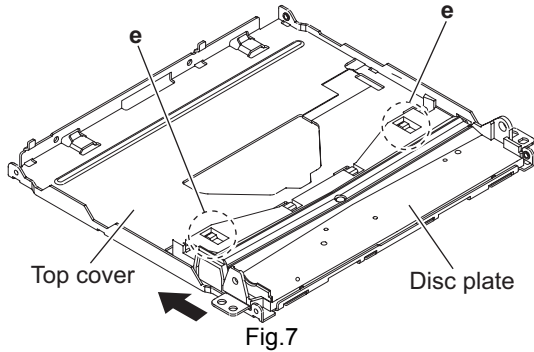


Fig.6

3.2.4 Removing the PHOTO BOARD assembly (See Fig.7 and 8)

- Remove the MECHANISM CONTROL BOARD assembly and top cover.
 - From the bottom side of the top cover, release the projection **e** from the notch of the disc plate. (See Fig.7.)
 - Take out the disc plate in the direction of the arrow. (See Fig.7.)
 - From the reverse side of the disc plate, remove the screw **D** attaching the PHOTO BOARD assembly. (See Fig.8.)



3.2.5 Removing the mechanism section (See Fig.9 and 10)

- Remove the MECHANISM CONTROL BOARD assembly and top cover.
 - From the top side of the CD MECHANISM assembly, remove the two screws **E** attaching the loading motor assembly. (See Fig.9.)
 - Remove the two roller springs on the top side of the mecha frame. (See Fig.9.)
 - Remove the four SUS springs on the top side of the mecha frame. (See Fig.9.)
 - Remove the link spring on the top side of the mecha frame. (See Fig.10.)
 - Release section **f** of the three dampers from the mecha frame. (See Fig.10.)

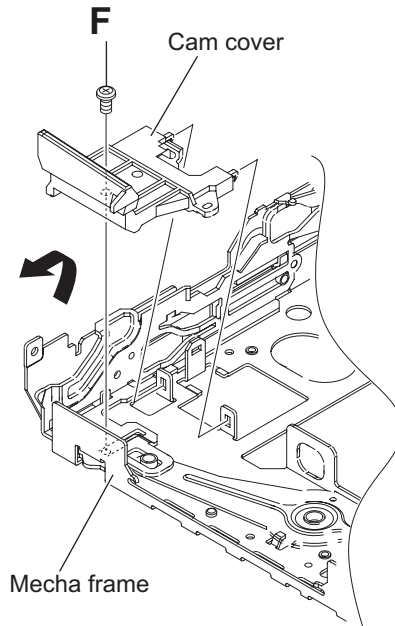
Reference:

When attaching the roller spring and SUS spring, keep direction before remove.

- Move the slide cam (R) assembly in the direction of the arrow, and then take out the mechanism section in an upward direction. (See Fig.10.)

Reference:

When attaching the mechanism section, apply grease to the section **g**. (See Fig.10.)

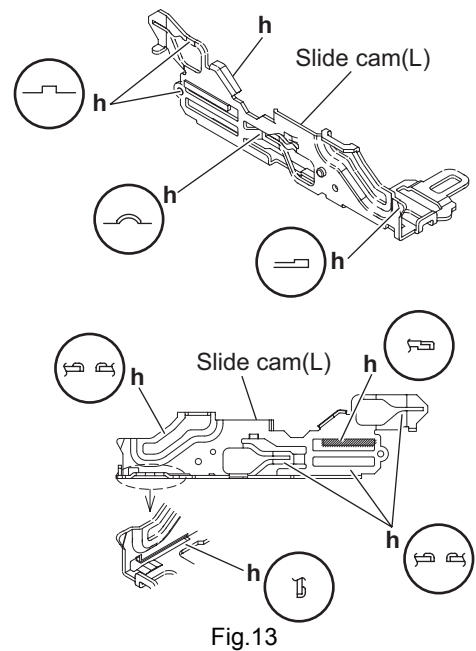
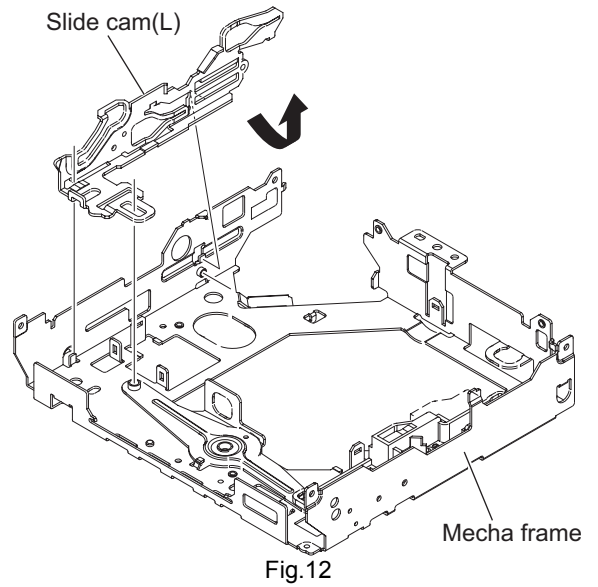
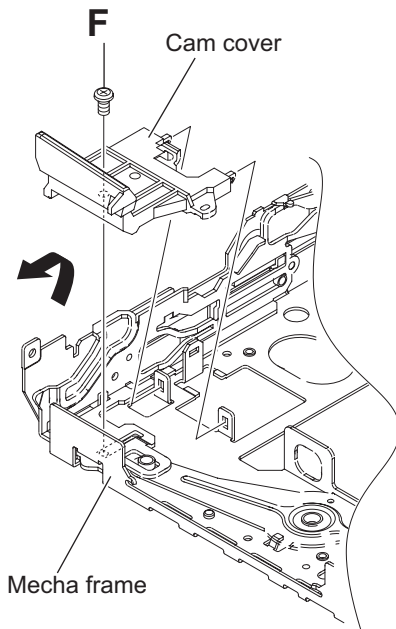


3.2.6 Removing the slide cam (L) (See Fig.11 to 13)

- Remove the MECHANISM CONTROL BOARD assembly, top cover and mechanism section.
 - From the top side of the mecha frame, remove the screw **F** attaching the cam cover. (See Fig.11.)
 - Take out the cam cover from mecha frame in an upward direction. (See Fig.11.)
 - Take out the slide cam (L) in the direction of the arrow. (See Fig.12.)

Reference:

When attaching the slide cam (L), apply grease to the section **h**. (See Fig.13.)



3.2.7 Removing the F.lock lever and slide cam (R) (See Fig.14 and 15)

- Remove the MECHANISM CONTROL BOARD assembly, top cover and mechanism section.
 - From the top side of the mecha frame, take out the slide cam (R) assembly in an upward direction. (See Fig.14.)
 - Rotate the F.lock lever in the direction of the arrow 1, and then take out the direction of the arrow 2. (See Fig.14.)

Reference:

When attaching the slide cam (R) assembly, the f.lock lever and the link arm apply grease to the section **h**. (See Fig.14 and 15.)

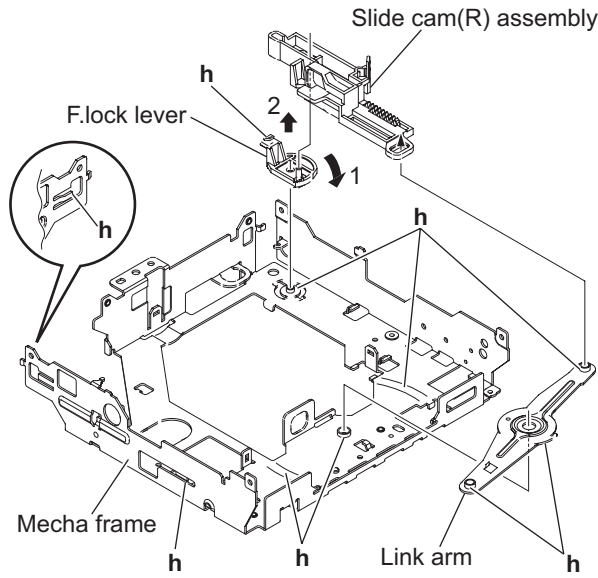


Fig.14

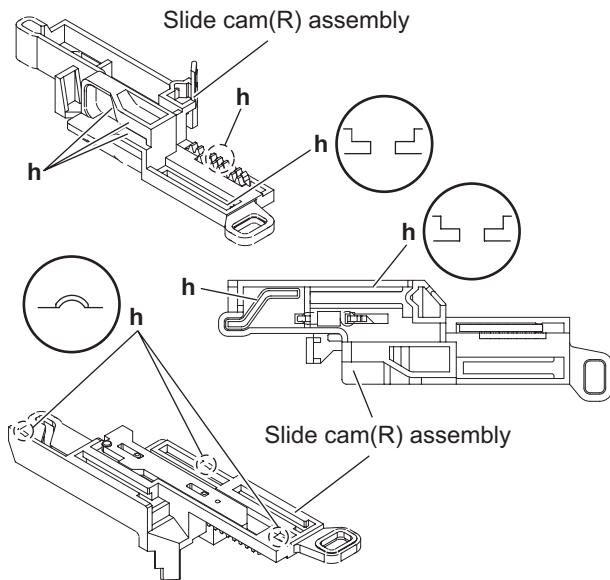


Fig.15

3.2.8 Removing the damper (See Fig.16)

- Remove the MECHANISM CONTROL BOARD assembly, top cover and mechanism section.

From the mechanism section, pull out the three dampers in the direction of the arrow.

Reference:

Before inserting the shaft to the dampers, apply IPA to the pocket **j** of damper.

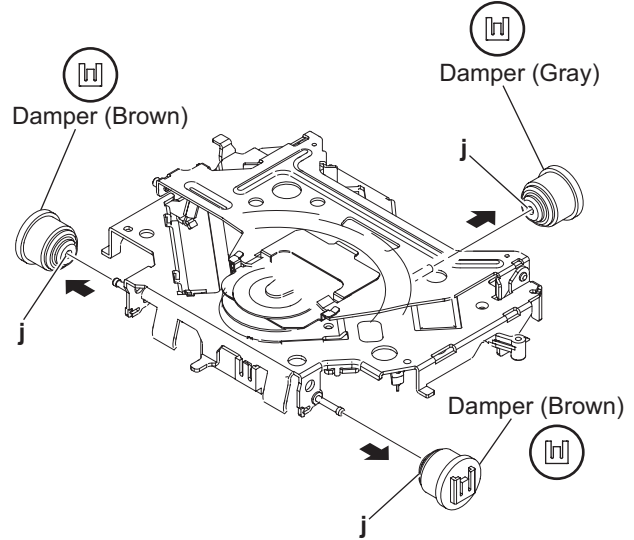


Fig.16

3.2.9 Removing the clumper assembly (See Fig.17)

- Remove the MECHANISM CONTROL BOARD assembly, top cover and mechanism section.
 - From the top side of the mechanism section, release the clumper spring.
 - Move the clumper assembly in the direction of the arrow, and then release the joints (**k** and **m**).
 - Take out the clumper assembly from the T.M chassis assembly.

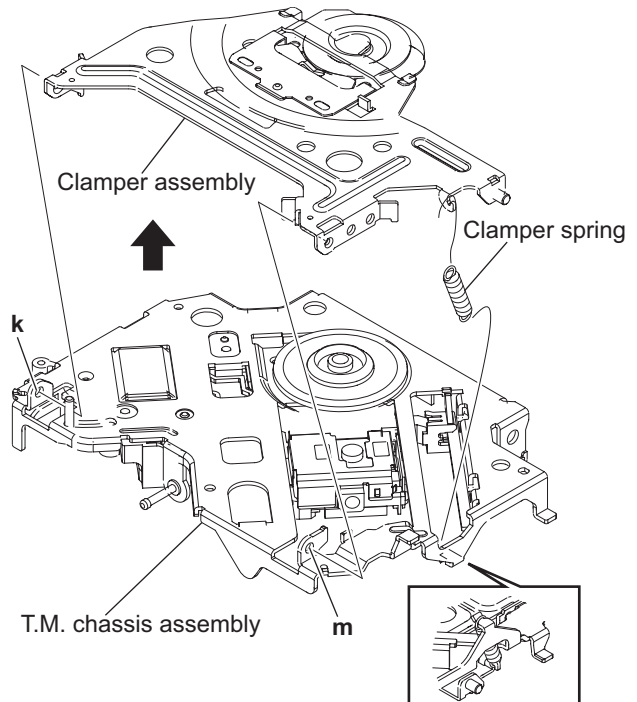


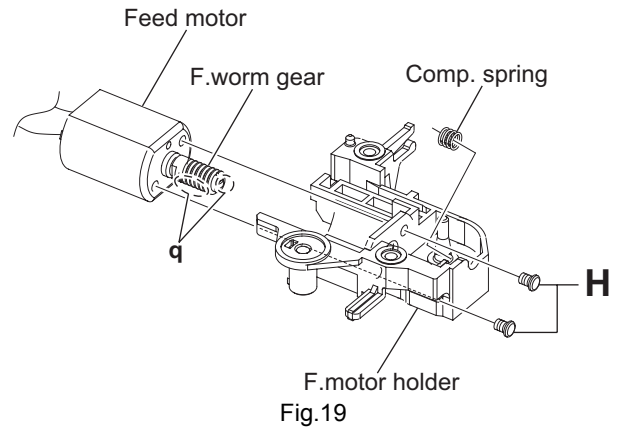
Fig.17

3.2.10 Removing the feed motor (See Fig.18 and 19)

- Remove the MECHANISM CONTROL BOARD assembly, top cover, mechanism section and clamber assembly.
 - From the bottom side of the T.M chassis assembly, remove the two screws **G** attaching the feed motor assembly. (See Fig.18.)
 - Remove the two screws **H** attaching the feed motor to f.motor holder. (See Fig.19.)

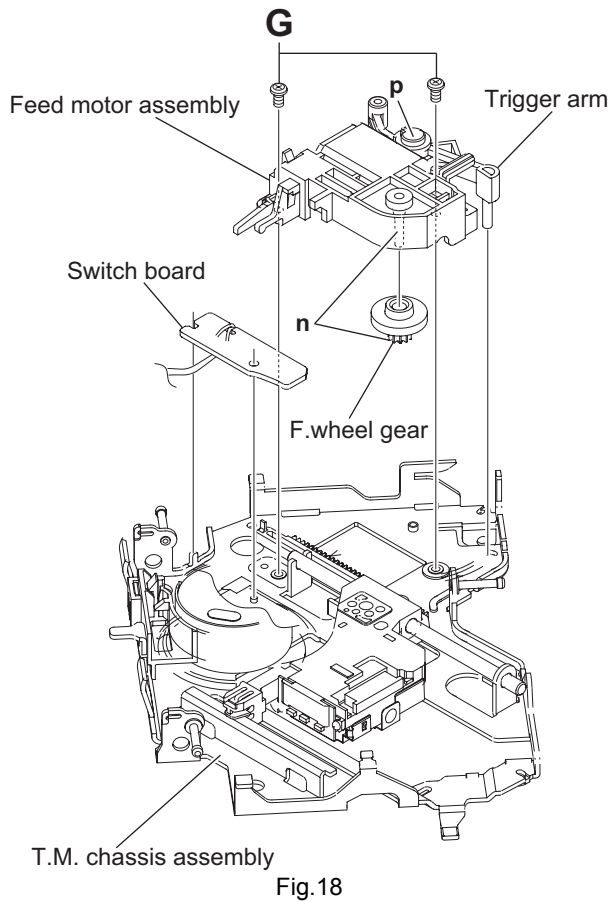
Reference:

When attaching the f. wheel gear, trigger arm and feed motor, apply grease to the sections (**n**, **p** and **q**). (See Fig.18 and 19.)



3.2.11 Removing the SWITCH BOARD assembly (See Fig.18)

- Remove the MECHANISM CONTROL BOARD assembly, top cover, mechanism section, clamber assembly and feed motor assembly. From the bottom side of the T.M chassis assembly, take out the SWITCH BOARD assembly in an upward direction from T.M chassis assembly.

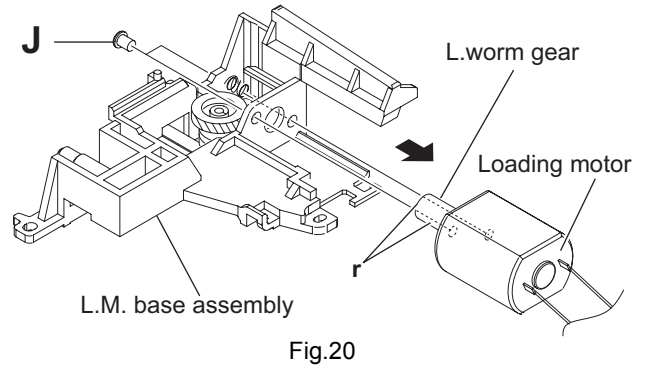


3.2.12 Removing the loading motor (See Fig.20)

- Remove the MECHANISM CONTROL BOARD assembly, top cover, mechanism section and clamber assembly.
 - From the right side of the L.M base assembly, remove the two screws **J** attaching the loading motor.
 - Take out the loading motor in the direction of the arrow from the L.M base assembly.

Reference:

When attaching the loading motor, apply grease to the section **r**.



3.2.13 Removing the pickup assembly (See Fig.21 to 22)

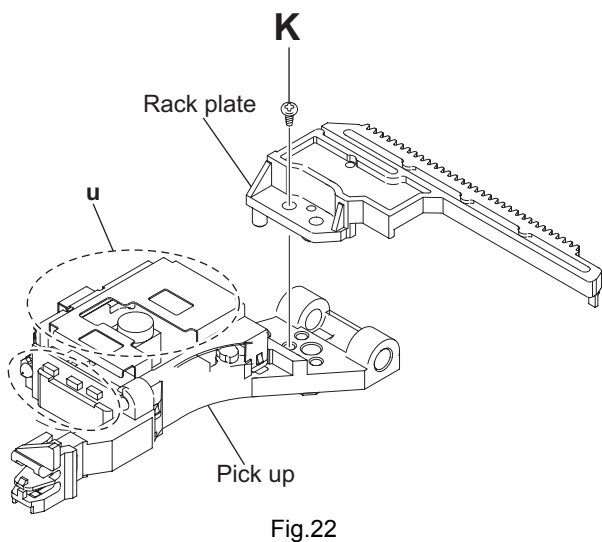
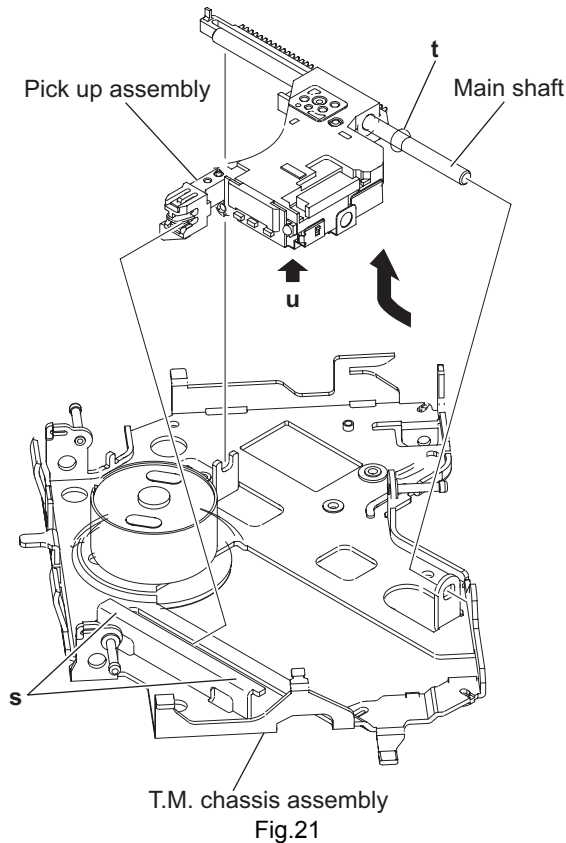
- Remove the MECHANISM CONTROL BOARD assembly, top cover, mechanism section, clamber assembly and feed motor assembly.

Caution:

- Do not touch section **u** on the pickup assembly. (See Fig.21 and 22.)
- From the bottom side of the T.M chassis assembly, move the pickup assembly in the direction of the arrow from the T.M chassis assembly. (See Fig.21.)
 - Pull out the main shaft. (See Fig.21.)
 - Remove the screw **K** attaching the pickup to the rack plate. (See Fig.22.)

Reference:

When attaching the loading motor, apply grease to the sections **s** and **t**. (See Fig.21.)

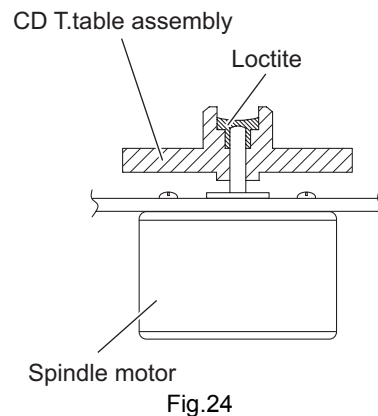
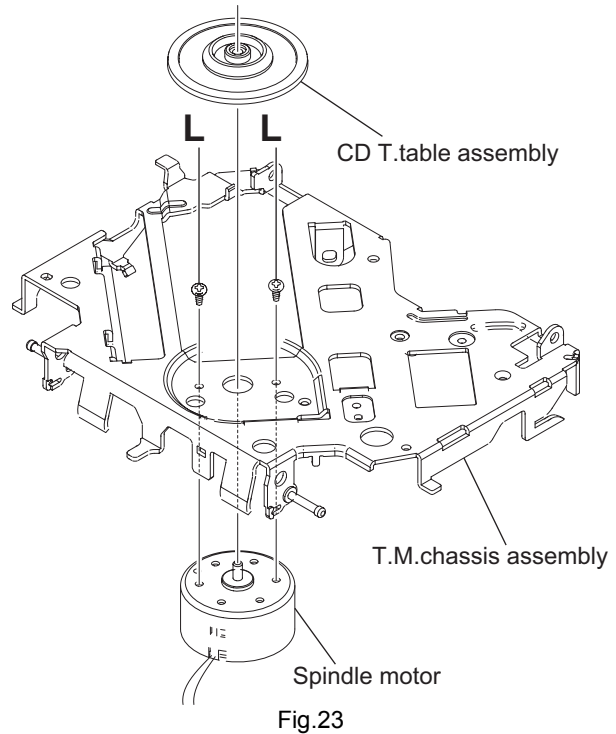


3.2.14 Removing the spindle motor (See Fig.23 and 24)

- Remove the MECHANISM CONTROL BOARD assembly, top cover, mechanism section, clamber assembly, feed motor assembly and pickup assembly.
- From the top side of the T.M chassis assembly, remove the CD T.table assembly from the spindle motor. (See Fig.23.)
 - Remove the two screws **L** attaching the spindle motor. (See Fig.23.)
 - Take out the spindle motor from the bottom side of the T.M chassis assembly. (See Fig.23.)

Reference:

When attaching the CD T.table assembly to the spindle motor shaft, apply loctite 460 to inside the CD T.table assembly. (See Fig.24.)



SECTION 4 ADJUSTMENT

4.1 Test instruments required for adjustment

- (1) Digital oscilloscope (100MHz)
- (2) Digital tester
- (3) Test Disc
- (4) Extension cable : EXTCD004-28P

4.2 Standard measuring conditions

Power supply voltage DC14.4V(10.5 to 16V)
Load impedance 20K ohm (2 Speakers connection)
Output Level Line out 2.5V (Vol. MAX)

4.5 How to connect the extension cable for adjusting

Caution:

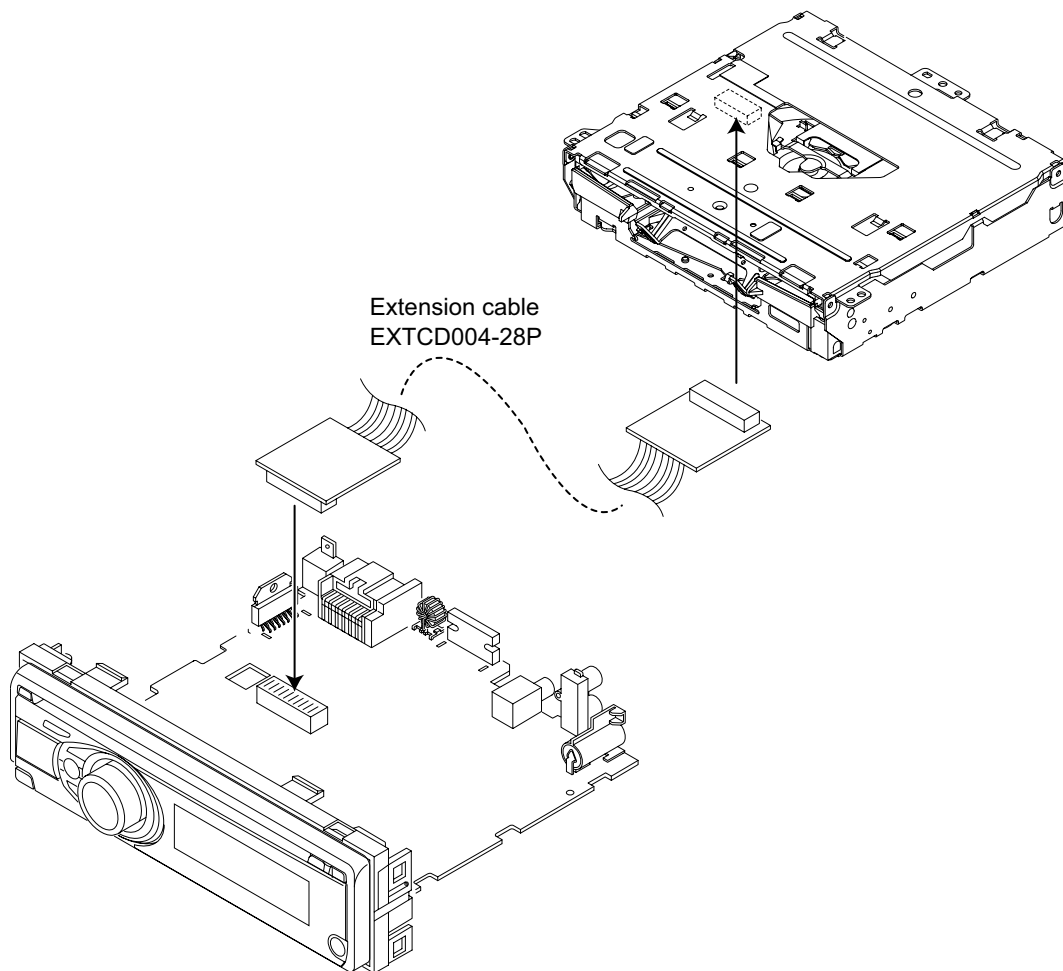
Be sure to attach the heat sink and rear bracket onto the power amplifier IC and regulator IC respectively, before supply the power. If voltage is applied without attaching these parts, the power amplifier IC and regulator IC will be destroyed by heat.

4.3 Standard volume position

Balance and Bass & Treble volume : Indication "0"
Loudness : OFF

4.4 Dummy load

Exclusive dummy load should be used for AM, and FM.
For FM dummy load, there is a loss of 6dB between SSG output and antenna input.
The loss of 6dB need not be considered since direct reading of figures are applied in this working standard.

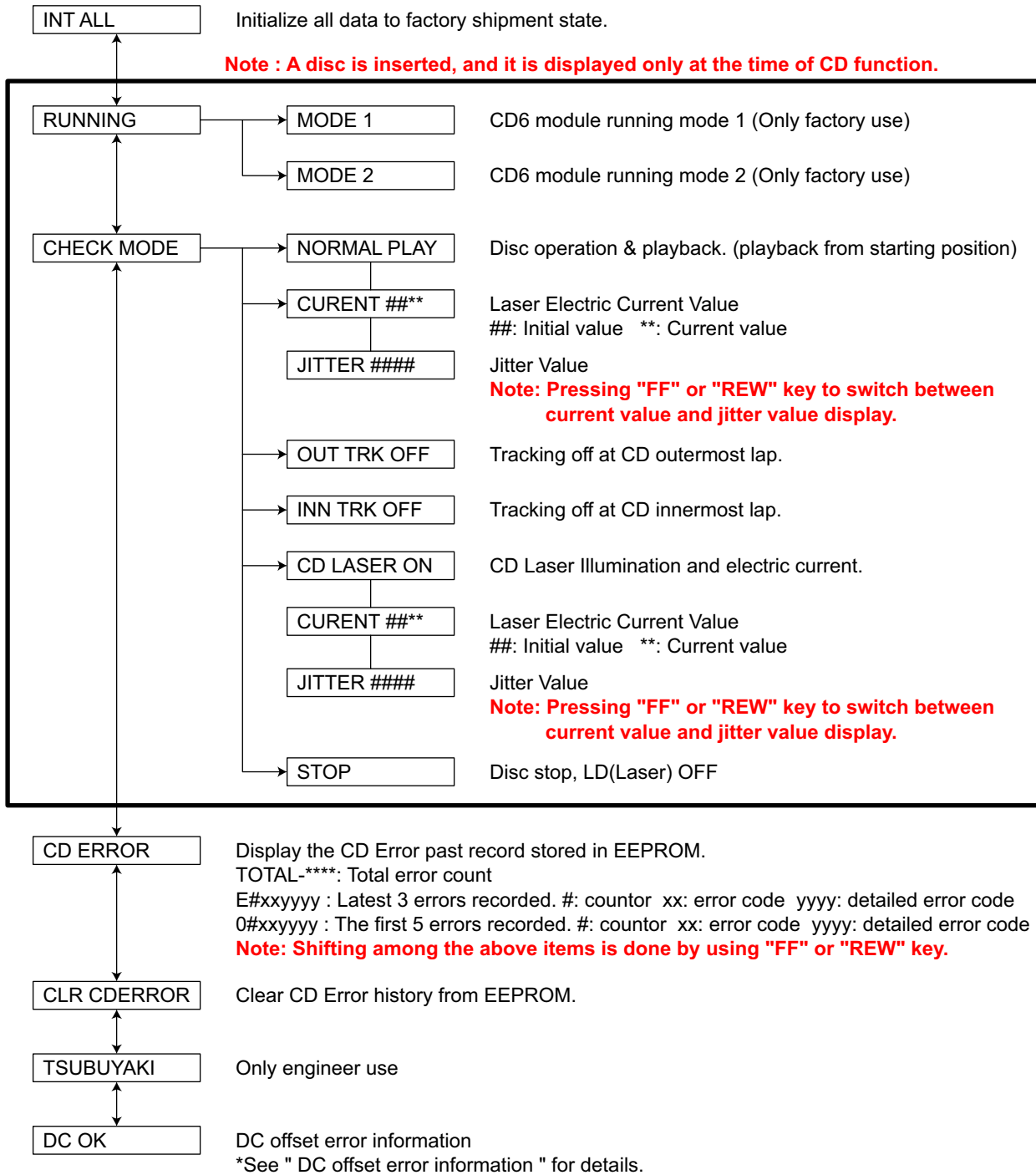


4.6 Service Mode

Operating key: [MENU] → [DOWN] (3 sec)

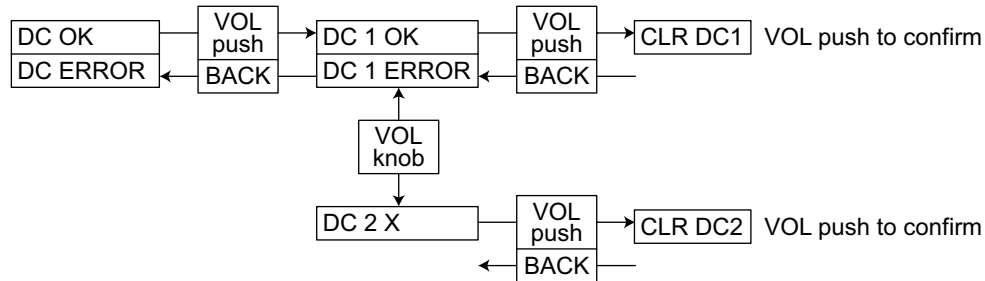
Navigation key : Press [SEL] in any main display item to select that option.

Volume knob turn : forward and backward selection.



4.7 DC offset error information

Display indication



DC offset error distinction.

(1) DC ERROR 1

When improper connection or other DC offset errors are detected.

"PROTECT" blinks to the display.

It is possible to return even times how many by reset.

(2) DC ERROR 2

When the DC offset error is detected due to the trouble of the capacitor.

·The number of times that detected in the case of less than 3 times.

"PROTECT" blinks to the display.

It is possible to return to the 3rd times by reset.

·When the detected number becomes 4 times.

"PROTECT" lights to the display.

It is possible to return to the 3rd times by reset.

(Operation other than the Power on/off, Eject, Reset, and Service mode are prohibited with "PROTECT" lit.

Error content confirmation.

Whether it turns on power and the "PROTECT" display appears are confirmed.

(1) When the "PROTECT" display appears.

The content of the DC offset error is confirmed in the Service mode.

* Because it takes DC offset protection, the following is displayed.

"DC ERROR"

(1-1) When "DC1 ERROR" is displayed. (DC ERROR1)

·Forecast cause

It comes in contact with improper connection or GND of the speaker wiring.

It is confirmed that there is no improper connection of the speaker wiring and pushes reset.

·When "PROTECT" is not displayed, it is unquestionable.

The error data of EEPROM, it deletes it. (CLR DC1)

·When "PROTECT" is still displayed.

The DC offset has been generated by the reasons other than the improper connection.

Forecast cause: Power AMP is broken.

After parts are exchanged, reset is confirmed pushing again.

(1-2) When "DC2 X" is displayed. (DC ERROR2)

* As for X, the detected number is displayed. (0-4)

* When X is 0, it is unquestionable because the DC offset has never been detected.

When leak of capacitor is detected, it is displayed.

It is confirmed that there is no problem in the capacitor and deletes the error data of EEPROM. (CLR DC2)

It is confirmed that reset is pushed and "PROTECT" is not displayed.

After above-mentioned (1-1) and (1-2) are executed, the content of the DC offset error is confirmed in the Service mode.

If the part displayed as "DC ERROR" becomes "DC OK", it is unquestionable.

(2) When the "PROTECT" display doesn't appear.

The content of the DC offset error is confirmed in the Service mode.

(2-1) When "DC OK" is displayed, it is unquestionable because the DC offset has not been detected in the past.

(2-2) When "DC ERROR" is displayed, the confirmation similar to (1-1) and (1-2) is done because there is a history that detected the DC offset error in the past.

4.8 Tuner service mode

Key operation (FM and AM mode)

Enter service mode: [SEL] → [MENU] (3 sec)

Exit service mode: press [ENTER] (SEL) key.

Go to next item: press [DISP] key

Back to previous item: press [BACK] key

VER=#*** MICON version display
indicates destination: J=USA, U=OTHERS (eg. ASIA), R=EUROPE, E=EASTERN EUROPE
*** indicates version No.

CD6V##### CD module version display.

Tuner device and version identification display
Display :TOM V3 for TOMIC V3 tuner.
Display: ATOM V5 for ATOMIC V5 tuner.

TINJ= ## Tuner injection indicator
"##" indicates current tuner injection.

FOR RDS ONLY

PI =##### PI display of receiving station, "#####" indicates PI code.

PTY=## PTY display of receiving station (00~29), "##" indicates PTY code.

TP=#TA=* TP, TA display of receiving station
"#" indicates TP ON/OFF: 1=ON; 0=OFF;
"*" indicates TA ON/OFF: 1=ON; 0=OFF.

MS=#DI=* M/S, DI display of receiving station
"#" indicates M/S ON/OFF: 1=ON; 0=OFF;
"*" indicates DI ON/OFF: 1=ON; 0=OFF.

AF=##### Display the contents of AF memory (by scrolling) "#####" indicate AF frequencies.

LEV= ##H Field strength indicator.

U&W= ##H Adjacent and Multi path noise level indicator.

IFC= ##H IF COUNTER result indicator.

IFBW= # FM IF filter bandwidth indicator.

RFAGC=## FM RF AGC resulting attenuation.

IFAGC=## FM IF AGC resulting attenuation.

##** CLOCK display of receiving station (Original DISP key operation)

FOR RDS ONLY
PS NAME display of receiving station (Original DISP key operation)

FREQUENCY display of receiving station (Original DISP key operation)

4.9 ERROR CODE

Mechanical Error Detail Codes

Condition	Details	Error Code	Detail Code
LOADING Error	Error without SW change in LOAD when time-out is done		
B1 Time Out	When there is no change in the state of the switch from the state with DISC forward.	09	0011
C1 Time Out	When there is no change in the state of the switch from the state that DISC is drawn in a half.	09	0012
B2 Time Out	When there is no change in the state of the switch from the state that DISC is in the interior.	09	0015
EJECT Error	Error without SW change in EJECT when time-out is done.		
B1 Time Out	When there is no change in the state of the switch from the state that DISC is in the interior.	01	0023
C2 Time Out	When there is no change in the state of the switch from the state that DISC is drawn in a half.	01	0026
B2 Time Out	When there is no change in the state of the switch in EJECT from initial LOAD ERROR.	01	0027
FORCE EJECT Error	Transition to Force EJECT waiting or Force EJECT transition from error Error by abnormal SW.		
E1 FORCE EJECT ERROR	When detect abnormal SW from the state of NO DISC	01	0041
E2 FORCE EJECT ERROR	When detect abnormal SW from the state with DISC forward in LOAD.	01	0042
E3 FORCE EJECT ERROR	When detect abnormal SW from the initial state.	01	0043
E5 FORCE EJECT ERROR	When detect abnormal SW from the state that half DISC is drawn in LOAD and EJECT.	01	0045
E7 FORCE EJECT ERROR	When detect abnormal SW from the atate that DISC is in the interior in LOAD and EJECT.	01	0047
E8 FORCE EJECT ERROR	When receive Force EJECT key after it makes an error from Force EJECT.	01	0048
E9 FORCE EJECT ERROR	When receive Force EJECT key after it makes an error from LOAD error or EJECT error.	01	0049
Error in Running mode			
Case 1	When DISC was extracted or fall in EJECT END and EJECT START.	09	0031
Case 2	When DISC is pushed in EJECT END.	09	0032

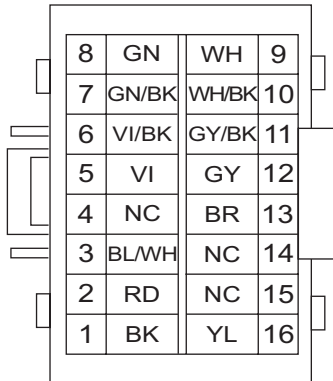
Disc error code

Condition	Details	Error Code	Detail Code
TOC READING Error	When it hasn't completed CD TOC reading.	84	0059
1'st track access Error	It doesn't end even if the first track access passes 30sec after the TOC reading ends in the running mode.	80	0060
Last track access Error	It doesn't end even if the last track access passes 30sec after the first track ends in the running mode.	80	0061
NODISC judgement	It be judged NODISC.	80	0090
NO DISC with start failure	Not possible to start.	80	0091
Stopped with no playback	When it was stopped in playback in the running mode.	80	0093
Logical format NG	Analysis of logical format is impossible or it does not correspond to logical formats.	80	0094

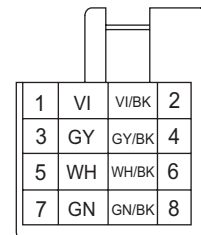
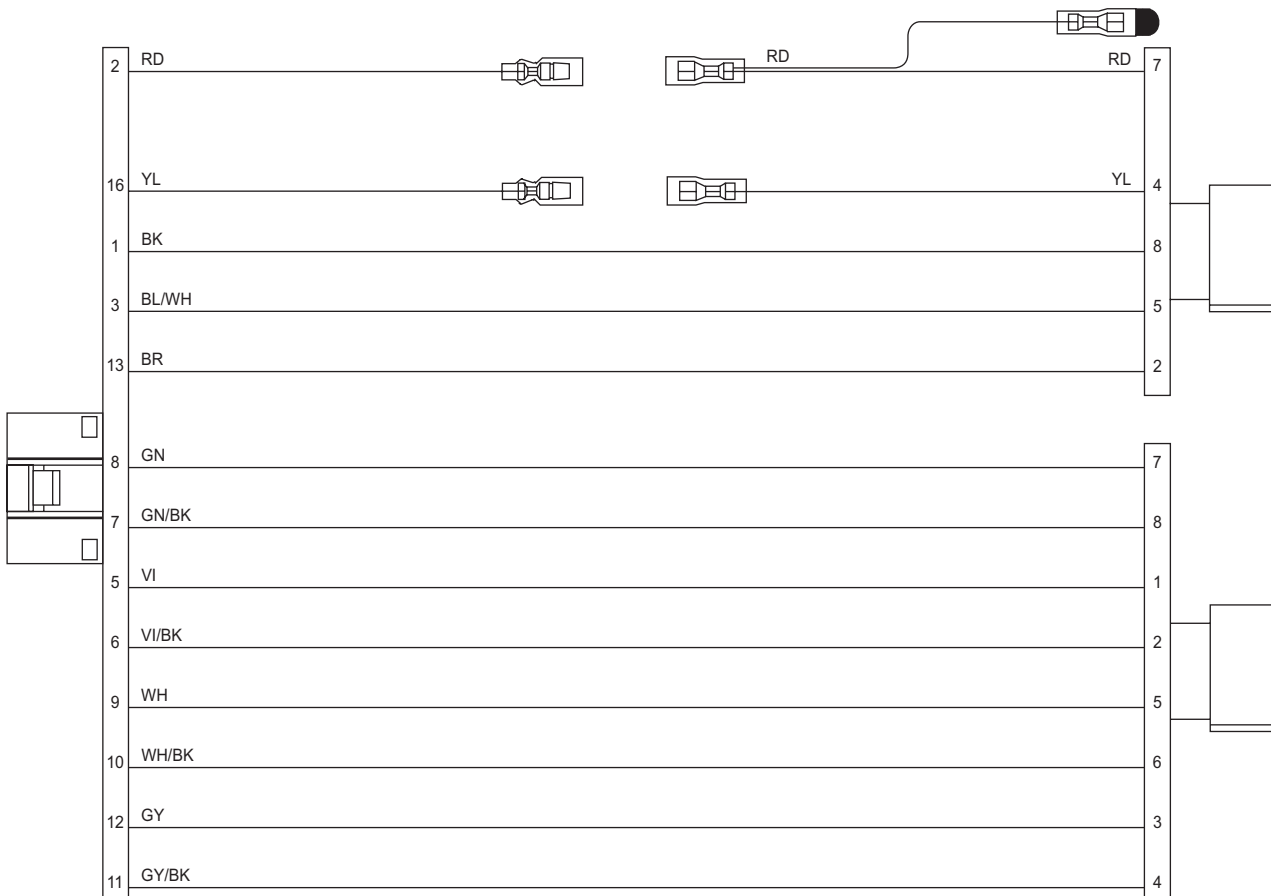
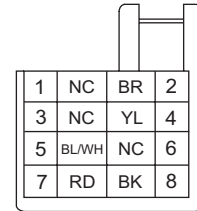
SECTION 5 TROUBLESHOOTING

5.1 16 PIN CORD DIAGRAM

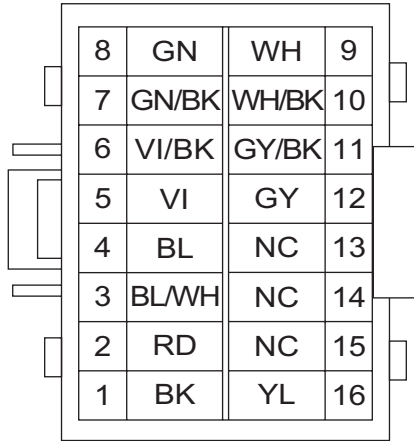
(1) For KD-R35, KD-R38, KD-R411, KD-R412, KD-R417



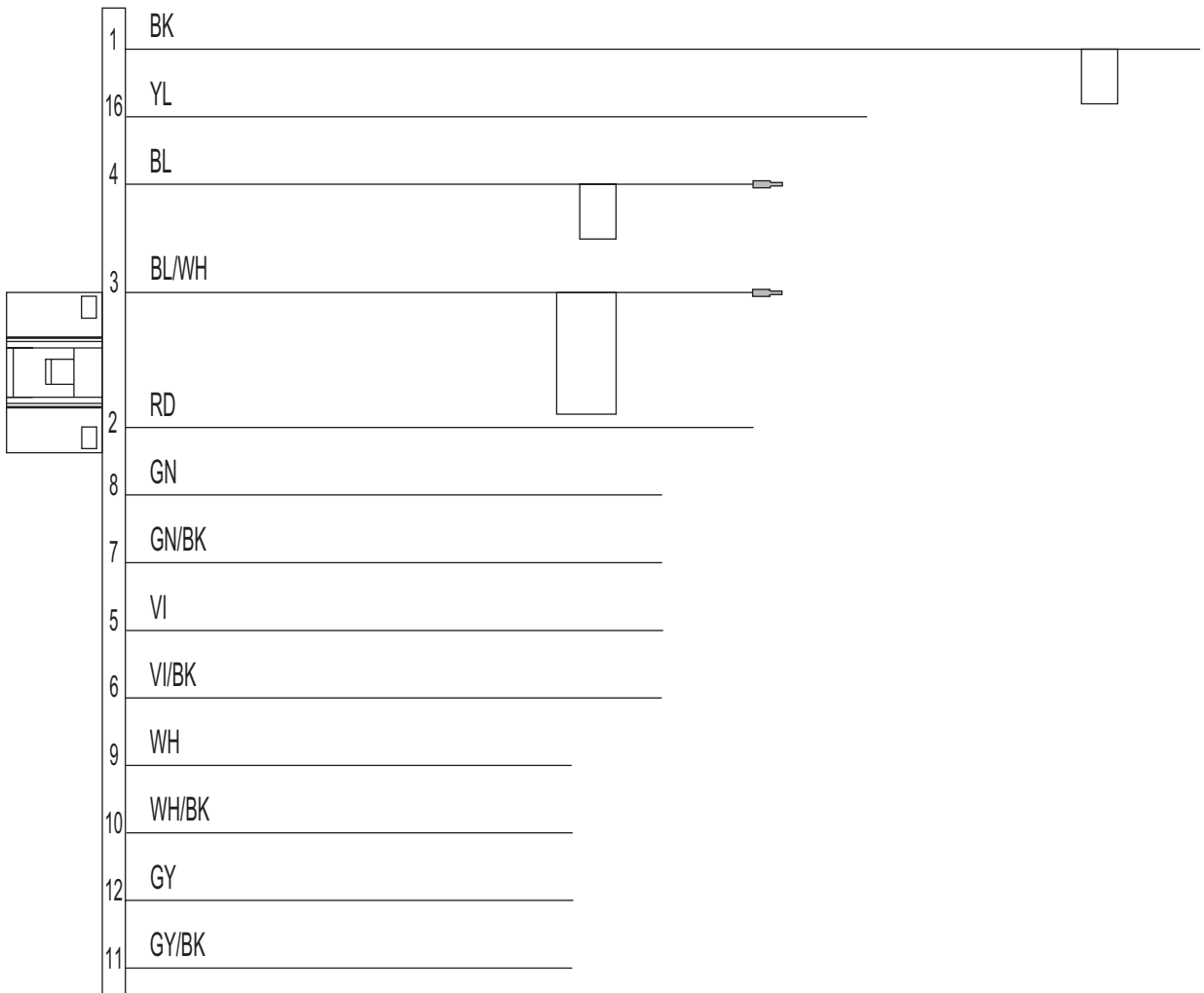
BK	Black	GN	Green
RD	Red	GY	Gray
BL	Blue	BR	Brown
WH	White	YL	Yellow
VI	Violet		



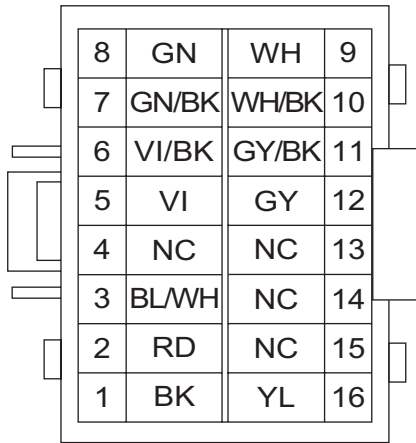
(2) For KD-R414, KD-R415, KD-R416, KD-R418UF



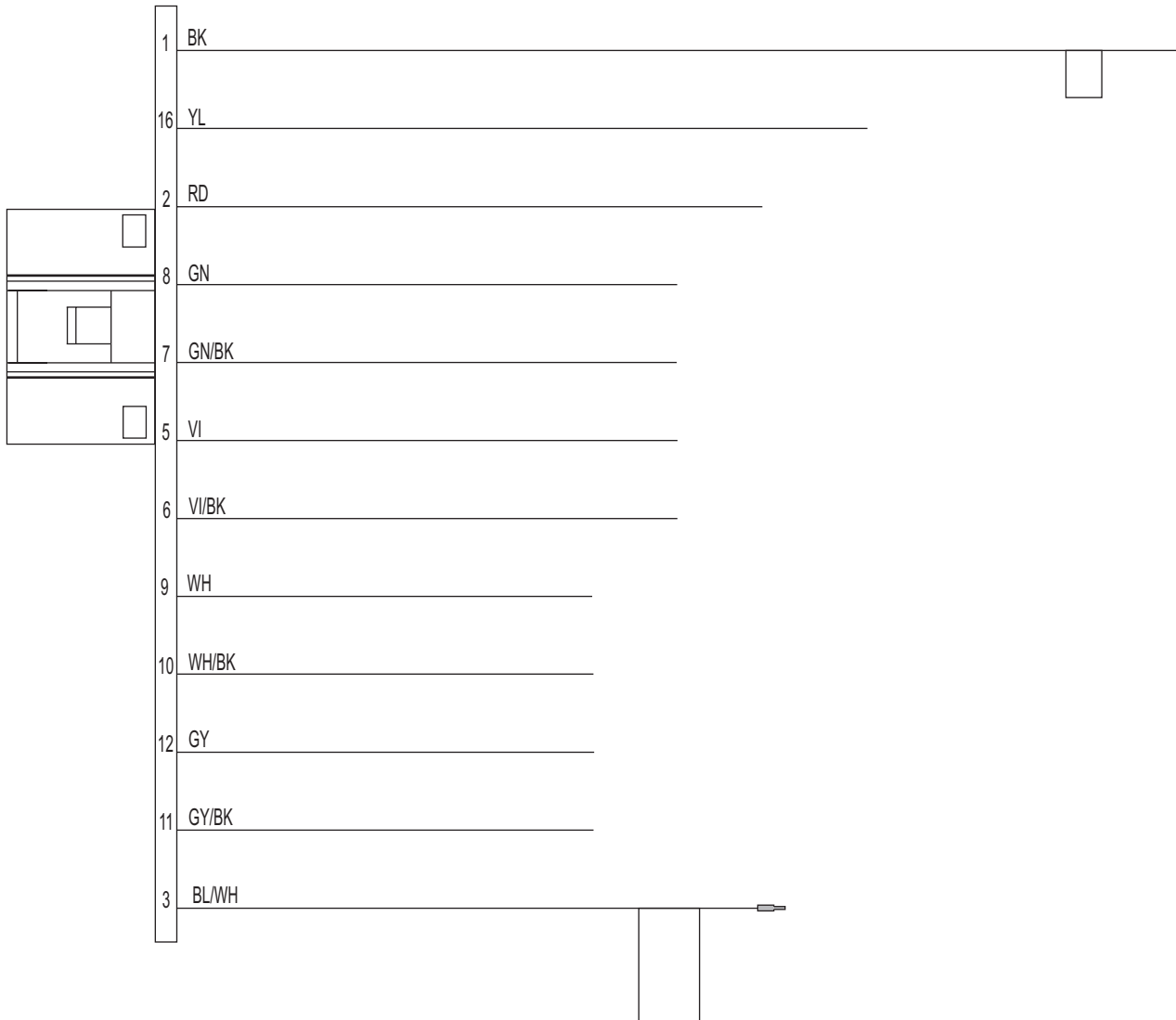
BK	Black	VI	Violet
RD	Red	GN	Green
BL	Blue	GY	Gray
WH	White	YL	Yellow



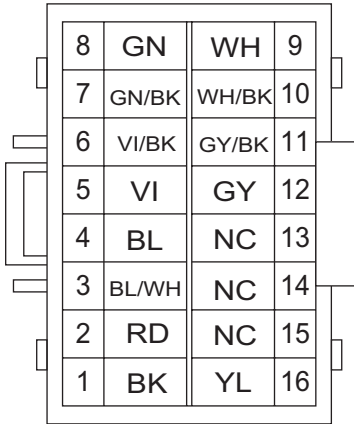
(3) For KD-R418J, KD-S27J



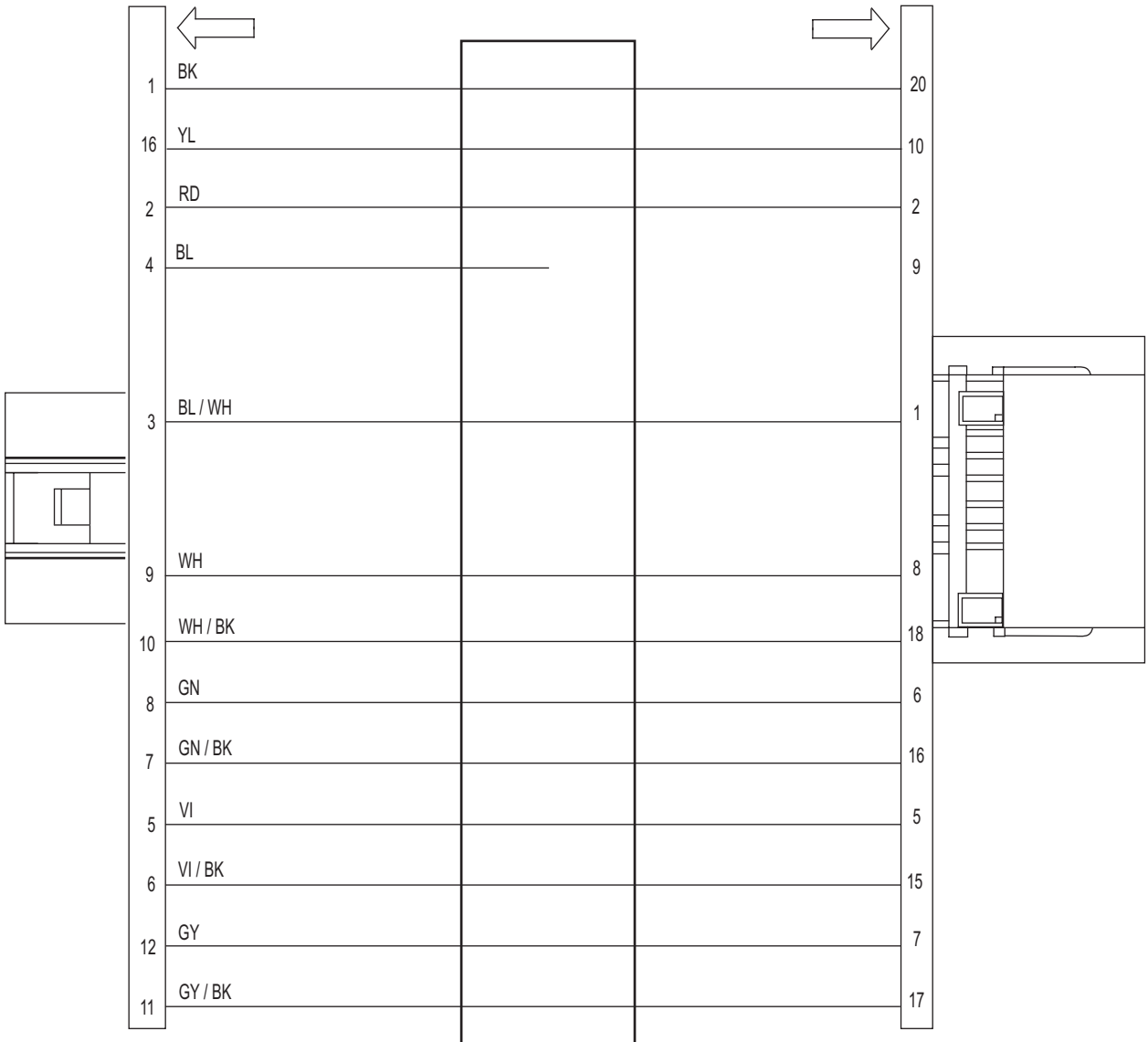
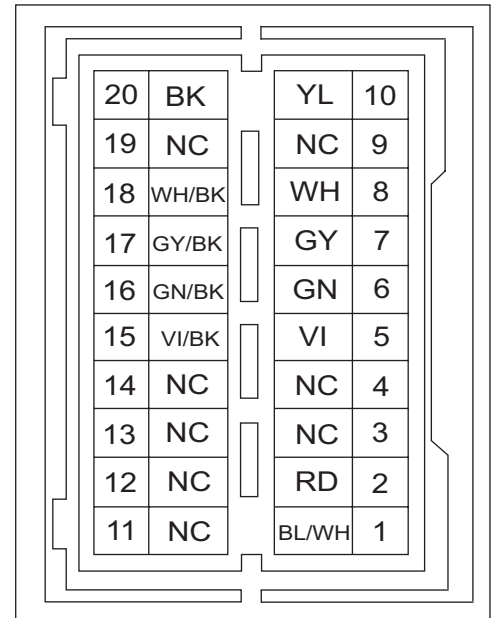
BK	Black	VI	Violet
RD	Red	GN	Green
BL	Blue	GY	Gray
WH	White	YL	Yellow



(4) For KD-R416S



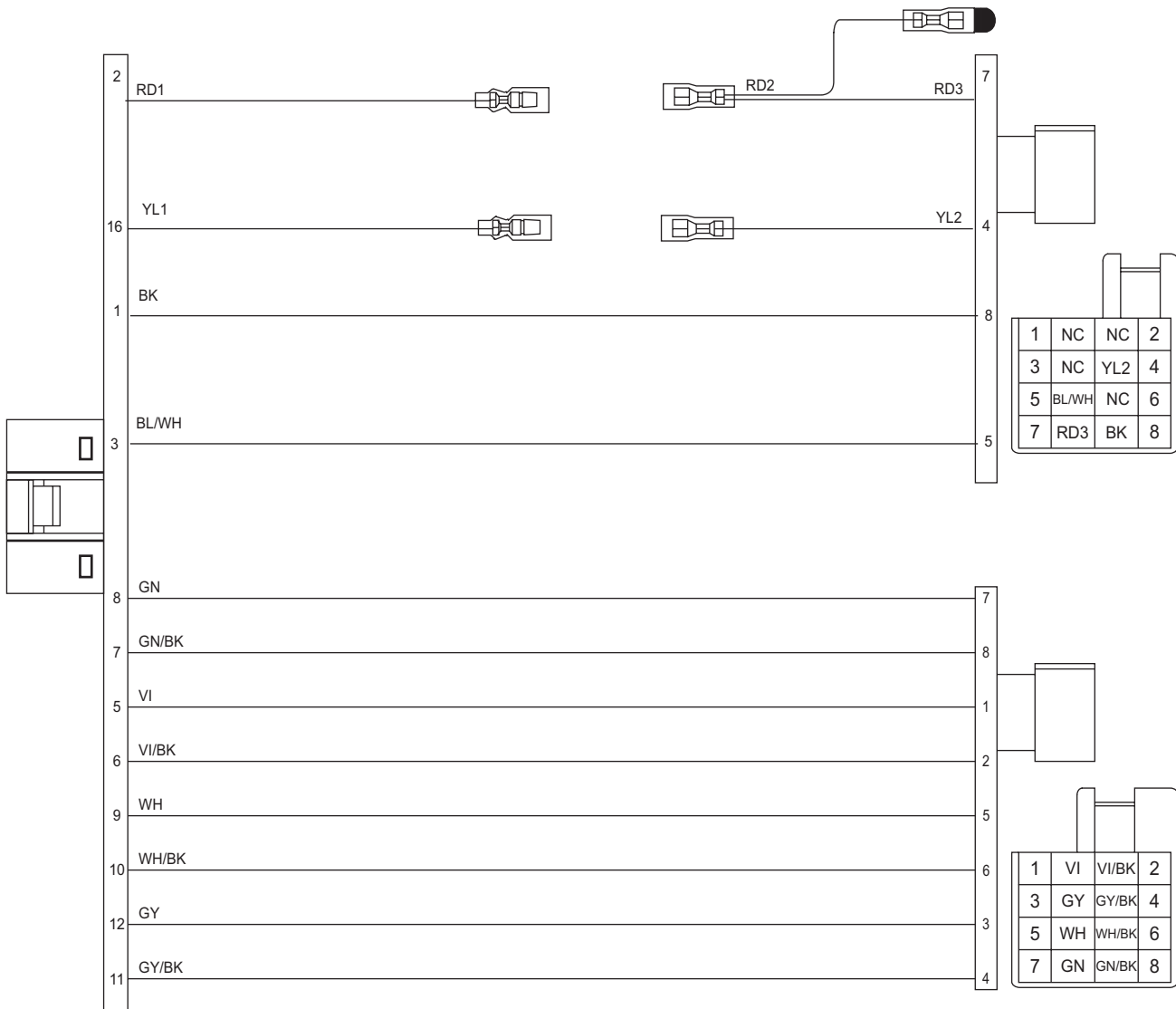
BK	Black
RD	Red
BL	Blue
VI	Violet
GN	Green
WH	White
GY	Gray
YL	Yellow



(5) For KD-R419

8	GN	WH	9
7	GN/BK	WH/BK	10
6	VI/BK	GY/BK	11
5	VI	GY	12
4	NC	NC	13
3	BL/WH	NC	14
2	RD1	NC	15
1	BK	YL1	16

BK	Black	VI	Violet
RD	Red	GN	Green
BL	Blue	GY	Gray
WH	White	YL	Yellow





JVC

Victor Company of Japan, Limited
Mobile Entertainment Division 10-1,1chome,Ohwatari-machi,Maebashi-city,371-8543,Japan

(No.MA465<Rev.003>)

Printed in Japan
VSE



SCHEMATIC DIAGRAMS

CD RECEIVER

KD-R35E

KD-R411E

KD-R412E

KD-R414UI

KD-R415UT

KD-R416U

KD-R416UH

KD-R418J

KD-R35EY

KD-R411EY

KD-R412EY

KD-R415U

KD-R415UH

KD-R416UN

KD-R416UW

KD-R418UF

KD-R419UR

KD-R38EE

KD-R411EU

KD-R412EU

KD-R415UN

KD-R415UW

KD-R416UT

KD-R417EE

KD-R416SUN

KD-S27J



■ PRECAUTIONS ON SCHEMATIC DIAGRAMS

- Due to the improvement in performance, some part numbers shown in the circuit diagrams may not agree with those indicated in the Parts List.
- The parts numbers, values and rated voltage etc. in the Schematic Diagrams are for reference only.
- Since the circuit diagrams are standard ones, the circuits and circuit constants may be subject to change for improvement without any notice.

■ PRECAUTIONS ON PARTS LIST

- The parts identified by the \triangle symbol are critical for safety. Whenever replacing these parts, be sure to use specified ones to secure the safety.
- The parts not indicated in this Parts List and those which are filled with lines --- in the Parts No. columns will not be supplied.
- P.W. BOARD Ass'y will not be supplied, but those which are filled with the Parts No. in the Parts No. columns will be supplied.
- When ordering chips, screws etc., place bulk orders (unit of tens) whenever possible to improve shipping efficiency.
- There are cases where the actual implemented parts in the sets and the service parts are different. When ordering parts, make sure to refer to the Parts List.

■ PRECAUTIONS ON SERVICE

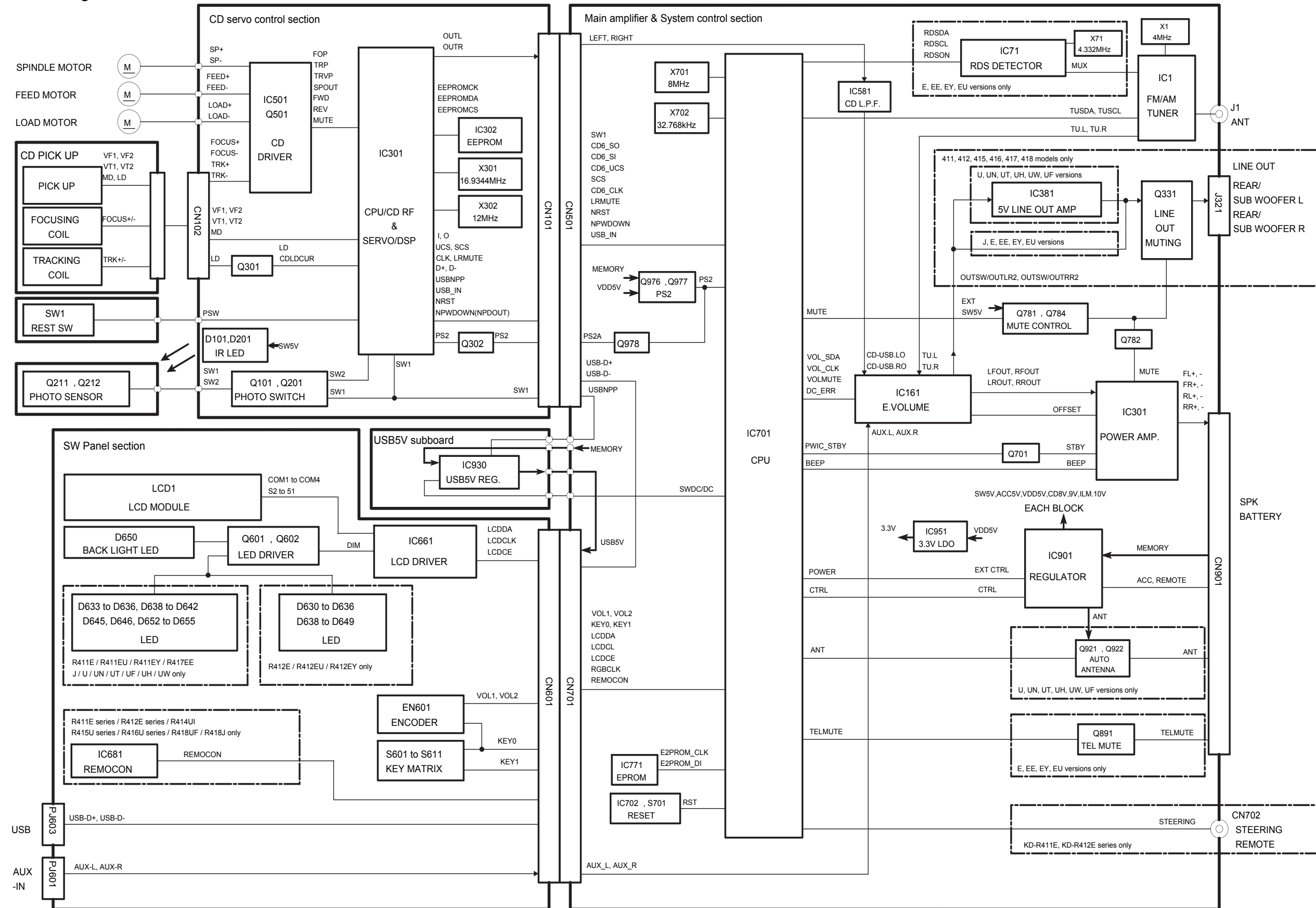
Certain parts of the power circuits and the GNDs differ according to the models. Care must be taken for the following points as the differences are indicated separately in the LIVE GND () and the ISOLATED (NEUTRAL) GND (.

1. Do not touch the LIVE GND, or do not touch the LIVE GND and the ISOLATED (NEUTRAL) GND at the same time. It may cause an electric shock.
Before pulling out the chassis or other parts, make sure to pull out the power cord from the wall outlet first.
2. Do not short circuit between the LIVE GND and ISOLATED (NEUTRAL) GND, or never measure the LIVE GND and ISOLATED (NEUTRAL) GND at the same time using measuring instruments (oscilloscope, etc.). It may blow fuses or damage other parts.

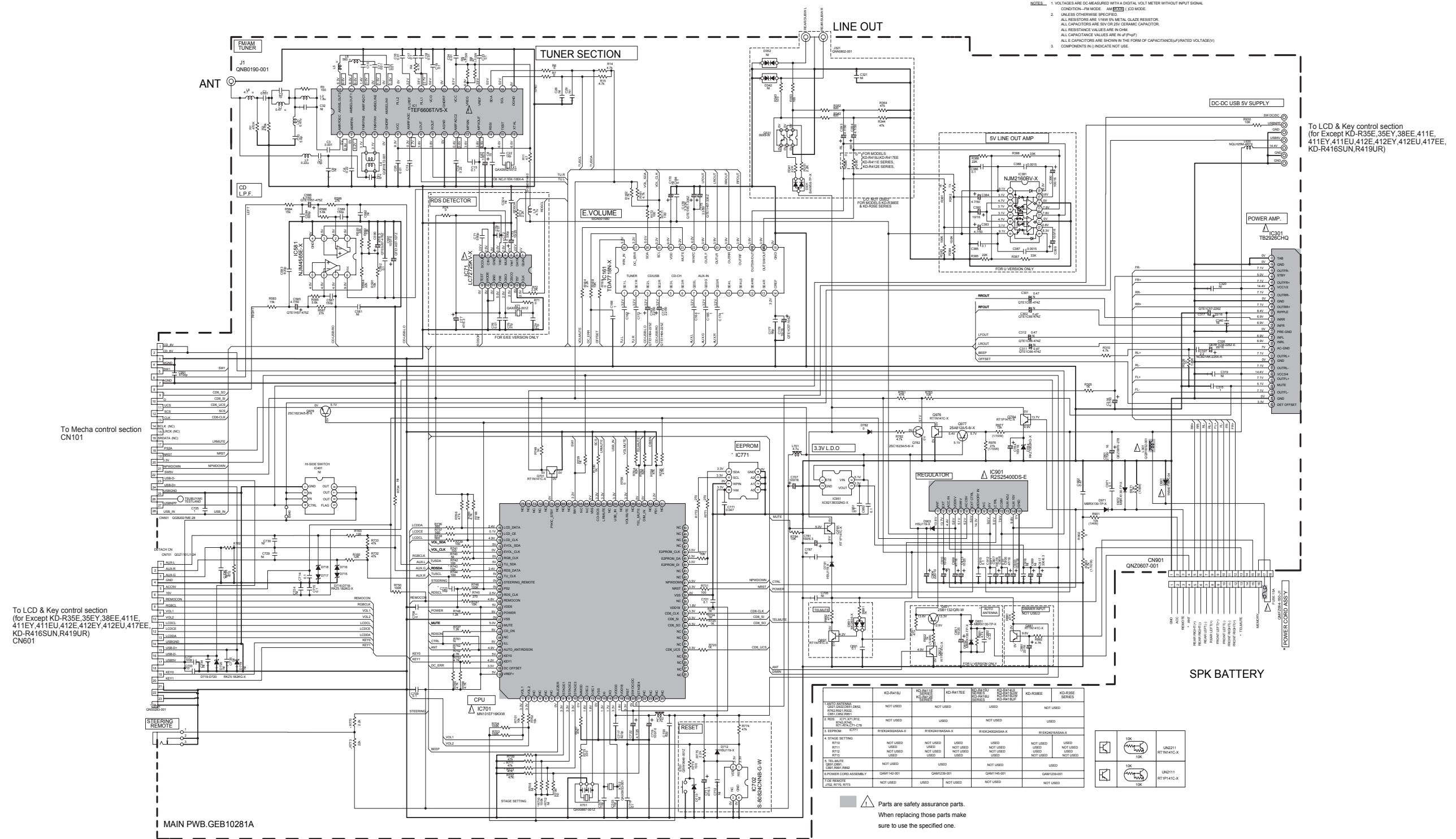
■ DEVIATION TOLERANCE RANGE

DEVIATION TOLERANCE RANGE									
F	G	J	K	M	N	R	H	Z	P
± 1%	± 2%	± 5%	±10%	±20%	±30%	+30% -10%	+50% -10%	+80% -20%	+100% -0%

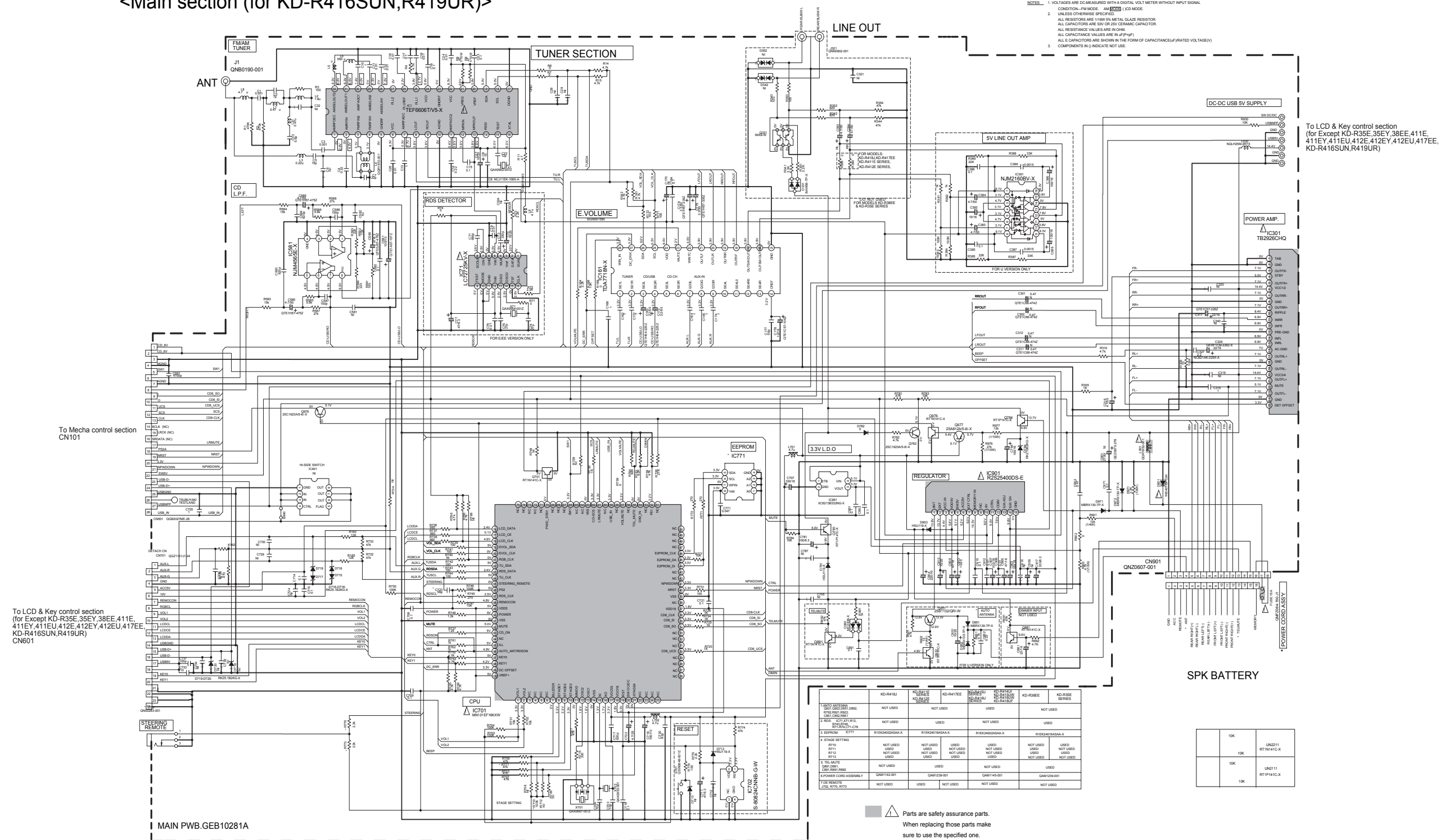
Block diagram



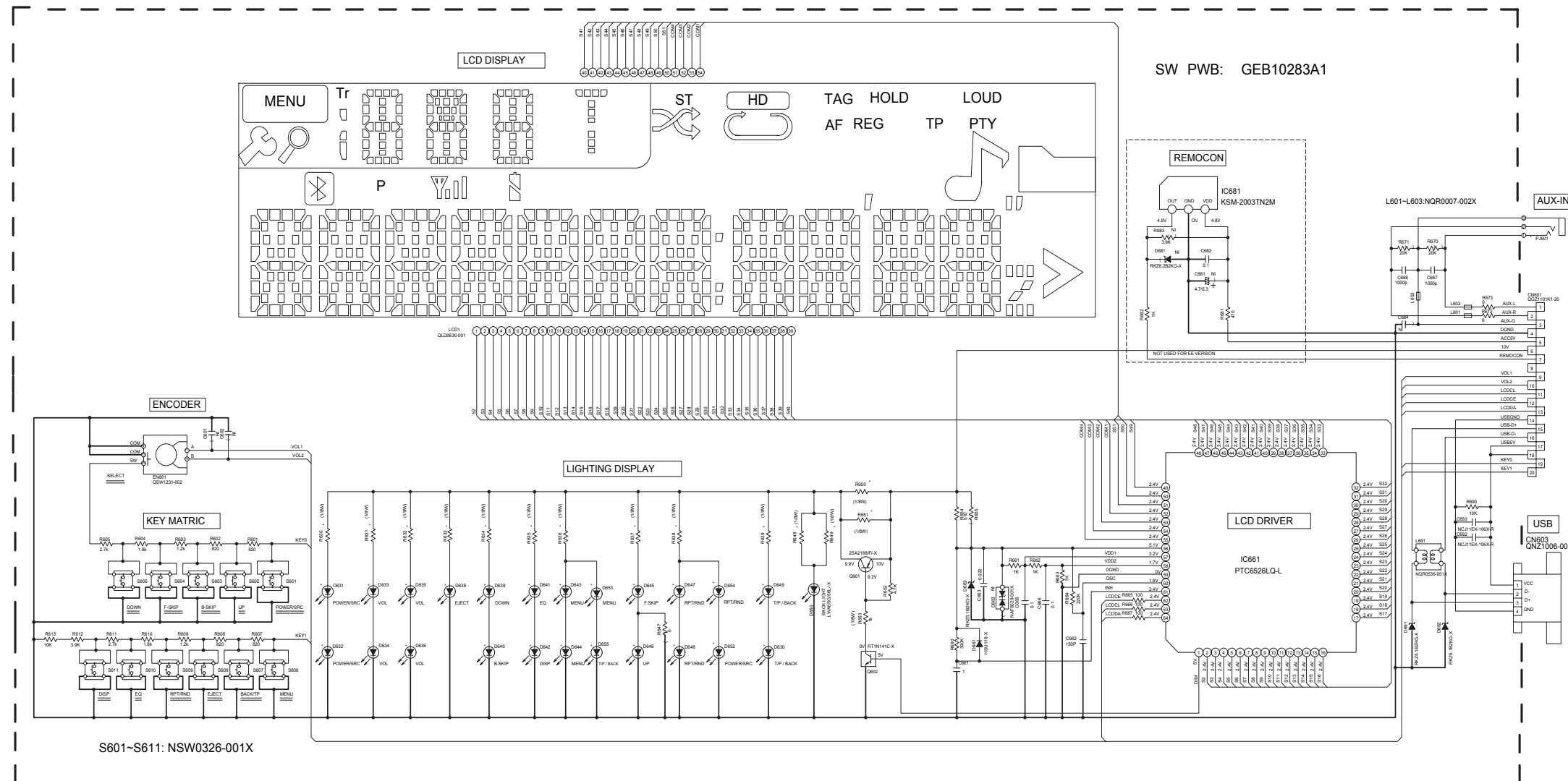
<Main section (for Except KD-R35E,35EY,38EE,411E,411EY,411EU,412E,412EY,412EU,417EE)>



<Main section (for KD-R416SUN,R419UR)>



<LCD & Key control section (for Except KD-R35E,35EY,38EE,411E,411EY,411EU,412E,412EY,412EU,417EE,KD-R416SUN,R419UR)>

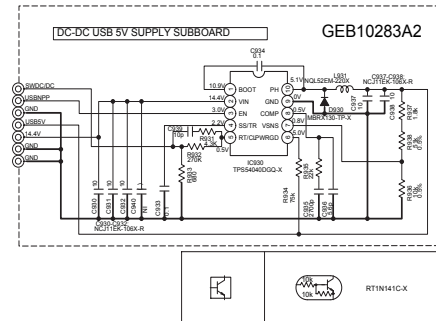


To Main section
(for Except KD-R35E,35EY,38EE,411E,
411EY,411EU,412E,412EY,412EU,417EE)
CN701

To Main section
(for KD-R416SUN,R419UR)

To Main section
(for Except KD-R35E,35EY,38EE,411E,
411EY,411EU,412E,412EY,412EU,417EE)

To Main section
(for KD-R416SUN,R419UR)



* REMARKS:

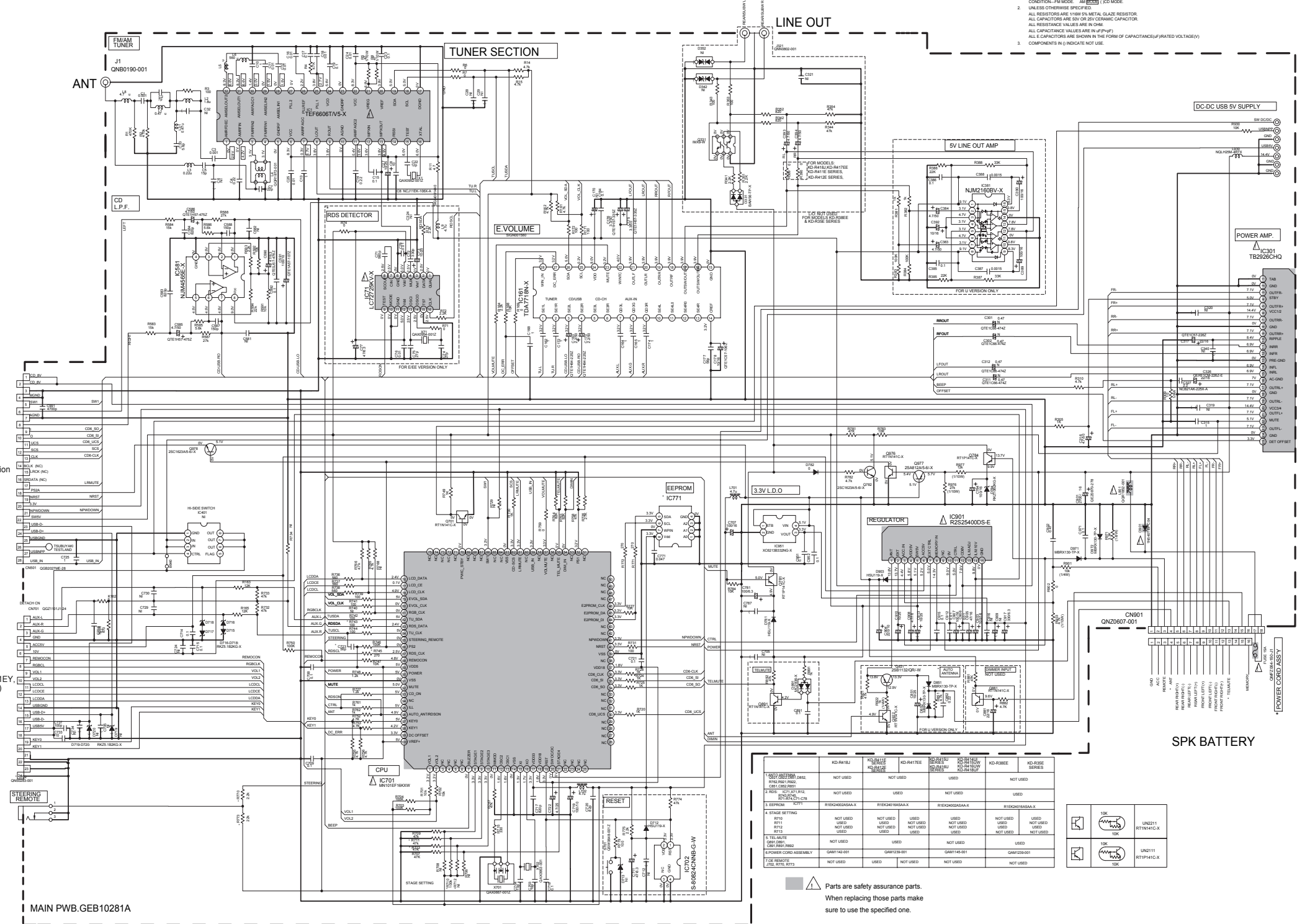
	KD-R418J KD-R418P KD-R414J KD-R418U SERIES KD-R38EE	KD-R417E SERIES KD-R417EE KD-R38EE SERIES KD-R38EE	KD-R412E SERIES
LED	D633 - D636	LH0274L-M-X	LS0271N-L-X
	D639 - D640	LH0274L-M-X	LS0271N-L-X
	D643 - D644	NOT IN USE	NOT IN USE
	D647 - D648	NOT IN USE	NOT IN USE
LED BRIGHTNESS	D622 - D625	LH0274L-M-X	SML-D12W/PQ-X
	D638	LH0274L-M-X	LS0271N-L-X
	D641 - D642	LH0274L-M-X	LS0271N-L-X
	R631 - R632	470	430
	R634	470	560
	R636	470	820
	R638	470	560
	R639	NOT IN USE	NOT IN USE
DIMMER CIRCUITRY	R650	220	220
	R651	270	270
	R652	270	270
AUX JACK	F4601	CNS0280-001	QLD0279-001

NOTES:

- VOLTAGES ARE DC-MEASURED WITH A DIGITAL VOLT METER WITHOUT INPUT SIGNAL
- UNLESS OTHERWISE SPECIFIED:
ALL RESISTORS ARE 1%W 0% METAL GLAZE RESISTOR
ALL CAPACITORS ARE 50V OR 25V CERAMIC CAPACITOR
ALL CAPACITANCE VALUES ARE IN pF(µF)
ALL CAPACITANCE VALUES ARE IN pF(µF)
ALL CAPACITORS ARE SHOWN IN THE FORM OF CAPACITANCE(µF)RATED VOLTAGE(V)
T - TANTALUM CAPACITOR
- COMPONENTS IN () INDICATE NOT USE.

<Main section (for KD-R35E,35EY,38EE,411E,411EY,411EU,412E,412EY,412EU,417EE)>

- NOTES
1. VOLTAGES ARE DC MEASURED WITH A DIGITAL VOLT METER WITHOUT INPUT SIGNAL.
CONDITION: FM MODE, AM (200) LCD MODE
 2. UNLESS OTHERWISE SPECIFIED:
ALL RESISTORS ARE 1/8W 5% METAL GLAZE RESISTOR.
ALL CAPACITORS ARE 50V OR 25V CERAMIC CAPACITOR.
ALL RESISTANCE VALUES ARE IN OHM.
ALL CAPACTANCE VALUES ARE IN PPF(1000)
ALL CAPACITORS ARE SHOWN IN THE FORM OF CAPACTANCE(VOLTAAGE)
 3. COMPONENTS IN () INDICATE NOT USE.



To Mecha control section
CN101

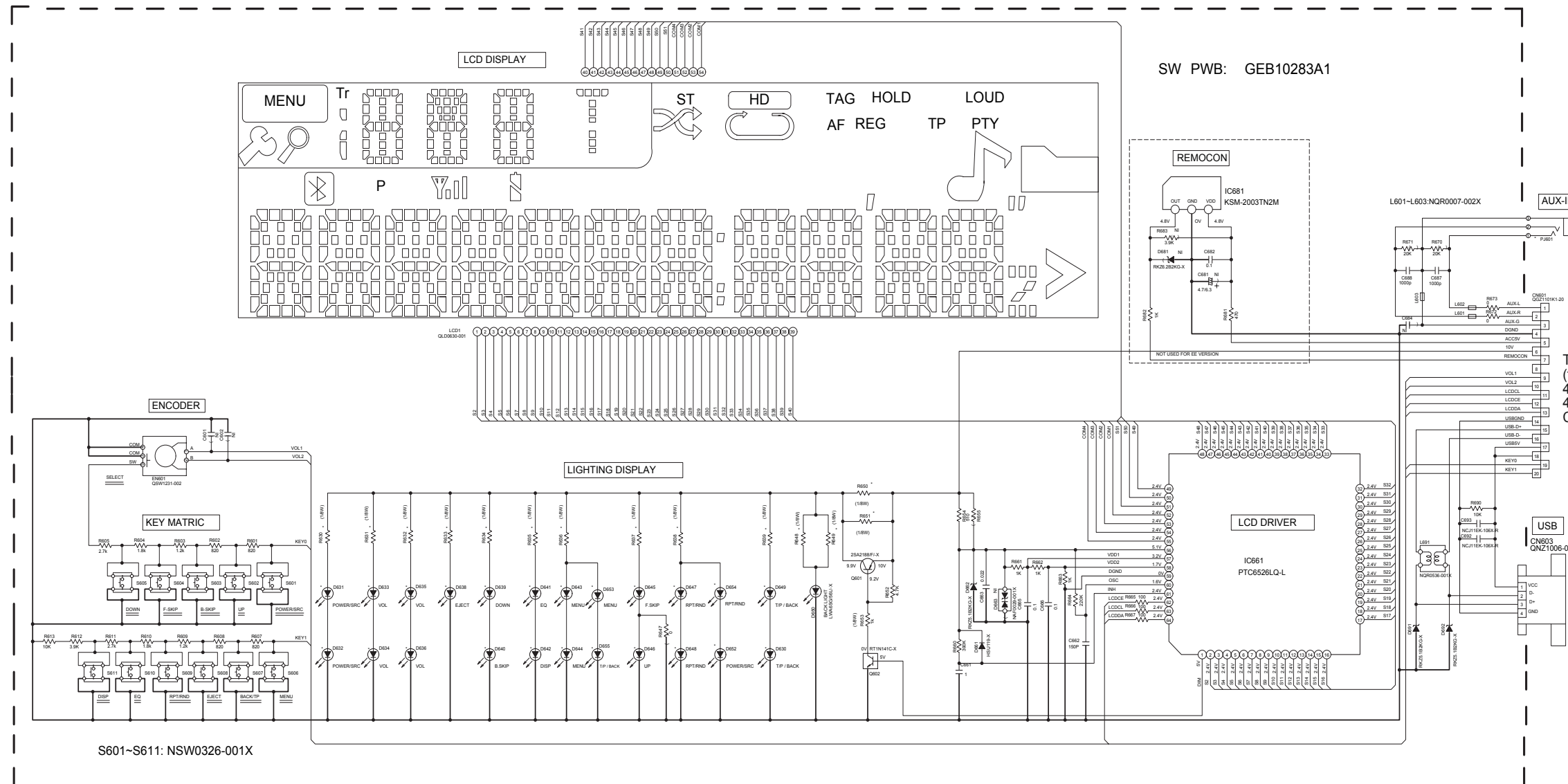
To LCD & Key control section
(for KD-R35E,35EY,38EE,411E,411EY,
411EU,412E,412EY,412EU,417EE)
CN601

To LCD & Key control section
(for KD-R35E,35EY,38EE,411E,411EY,
411EU,412E,412EY,412EU,417EE)

	KD-R41EJ	KD-R41EE	KD-R417EE	KD-R417EY	KD-R417EU	KD-R35EE	KD-R35EY
1. MAIN PWB PARTS	NOT USED	NOT USED	USED	NOT USED	NOT USED	NOT USED	NOT USED
2. IC701	NOT USED	NOT USED	USED	NOT USED	NOT USED	NOT USED	NOT USED
3. EEPROM	IC771	IC771	IC771	IC771	IC771	IC771	IC771
4. STAGE SETTING	NOT USED	NOT USED	NOT USED	NOT USED	NOT USED	NOT USED	NOT USED
5. TEL/AUTE	NOT USED	NOT USED	NOT USED	NOT USED	NOT USED	NOT USED	NOT USED
6. TEL/AUTE	NOT USED	NOT USED	NOT USED	NOT USED	NOT USED	NOT USED	NOT USED
7. POWER CORD ASSEMBLY	QNP142-001	QNP142-001	QNP142-001	QNP142-001	QNP142-001	QNP142-001	QNP142-001
8. POWER CORD ASSEMBLY	QNP142-001	QNP142-001	QNP142-001	QNP142-001	QNP142-001	QNP142-001	QNP142-001

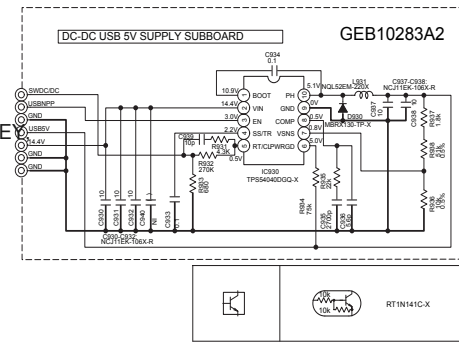
Parts are safety assurance parts.
When replacing those parts make
sure to use the specified one.

<LCD & Key control section (for KD-R35E,35EY,38EE,411E,411EY,411EU,412E,412EY,412EU,417EE)>



To Main section
(for KD-R35E,35EY,38EE,411E,
411EY,411EU,412E,412EY,
412EU,417EE)
CN701

To Main section
(for KD-R35E,35EY,38EE,411E,411EY,
411EU,412E,412EY,412EU,417EE)

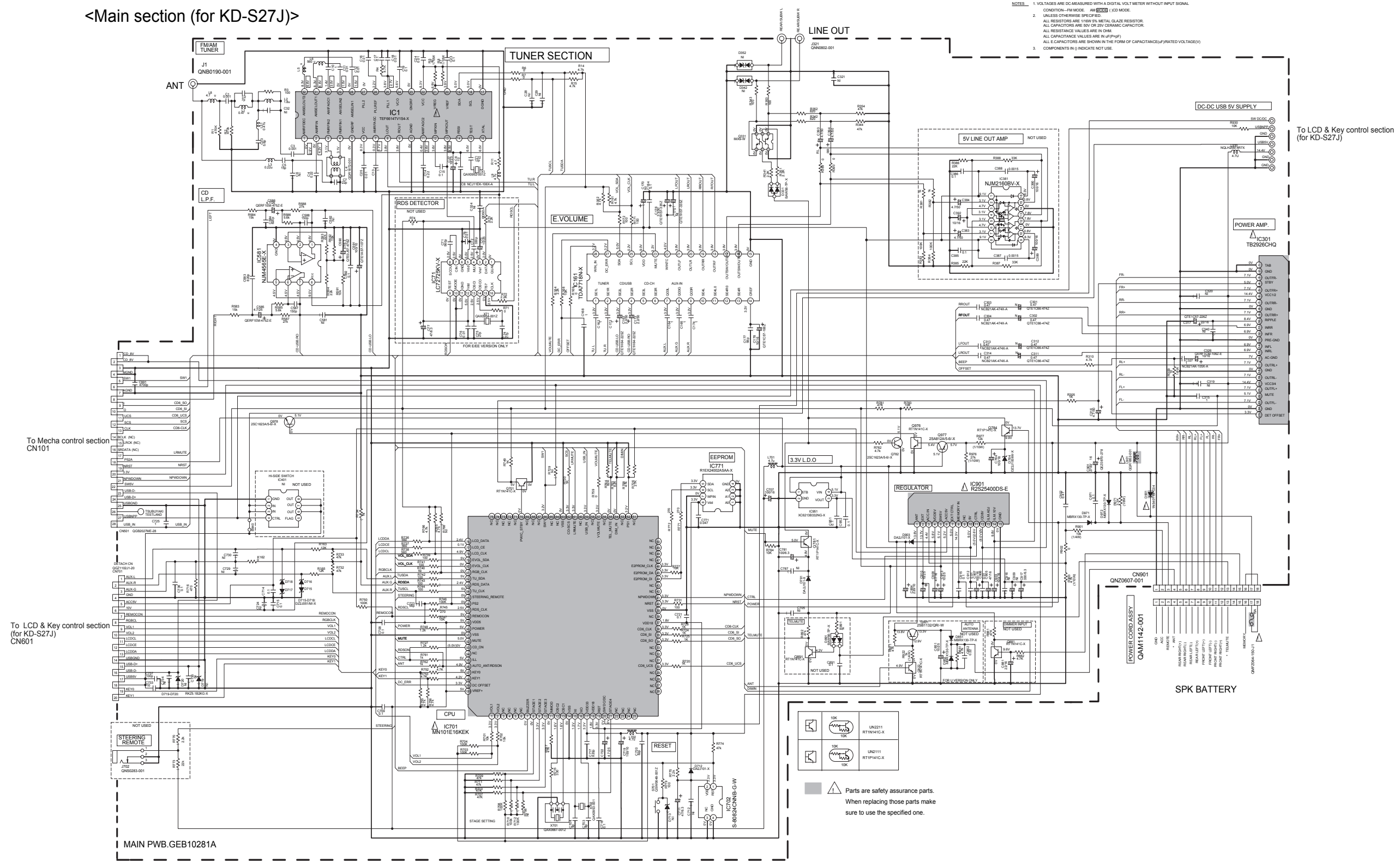


* REMARKS:

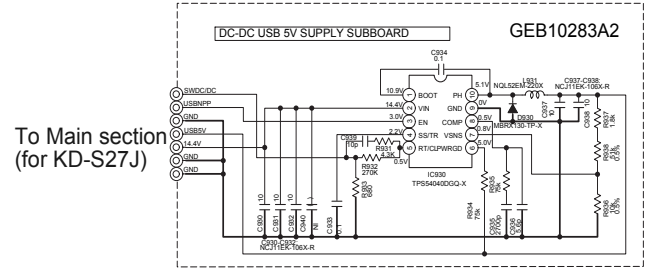
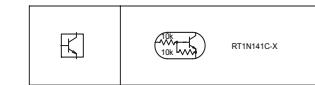
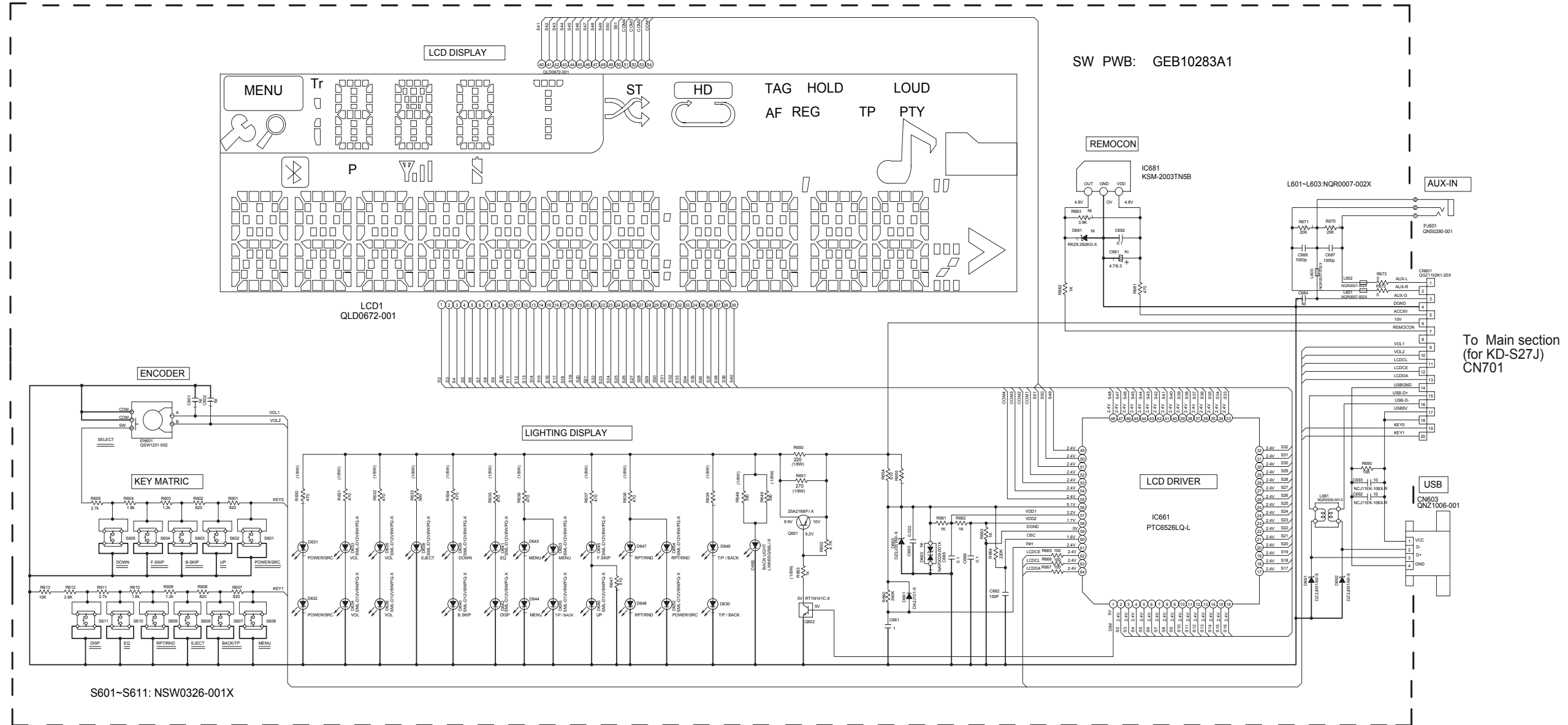
	KD-R41E KD-R41EY KD-R41EU KD-R41EY	KD-R41E SERIES KD-R41EY SERIES KD-R41EU SERIES KD-R41EY SERIES	KD-R41E SERIES KD-R41EY SERIES KD-R41EU SERIES KD-R41EY SERIES	KD-R41E SERIES KD-R41EY SERIES KD-R41EU SERIES KD-R41EY SERIES
LED	D633 - D638 D639 - D640 D645 - D646 D653 - D654 D643 - D644 D647 - D648	LHQ874LM-X	LSQ874ML-X	LN2008E11-3X
LED BRIGHTNESS	D638 - D641 D641 - D642 R631 - R632 R633 R634 R637	LHQ874LM-X	LSQ874ML-X	LSQ874ML-X
DIMMER CIRCUITRY	R631 - R632 R633 R634 R637	470	430	390
AUX JACK	FJ801	QNS0280-001	QLD0279-001	QLD0279-001

NOTES:
1. VOLTAGES ARE DC-MEASURED WITH A DIGITAL VOLT METER WITHOUT INPUT SIGNAL.
2. UNLESS OTHERWISE SPECIFIED,
ALL RESISTORS ARE 1% METAL GLAZE RESISTOR.
ALL CAPACITORS ARE 50V OR 25V CERAMIC CAPACITOR.
ALL RESISTANCE VALUES ARE IN OHM.
ALL CAPACITANCE VALUES ARE IN μF (pF).
ALL E-CAPACITORS ARE SHOWN IN THE FORM OF CAPACITANCE (μF) RATED VOLTAGE (V).
T - TANTALUM CAPACITOR.
3. COMPONENTS IN () INDICATE NOT USE.

<Main section (for KD-S27J)>

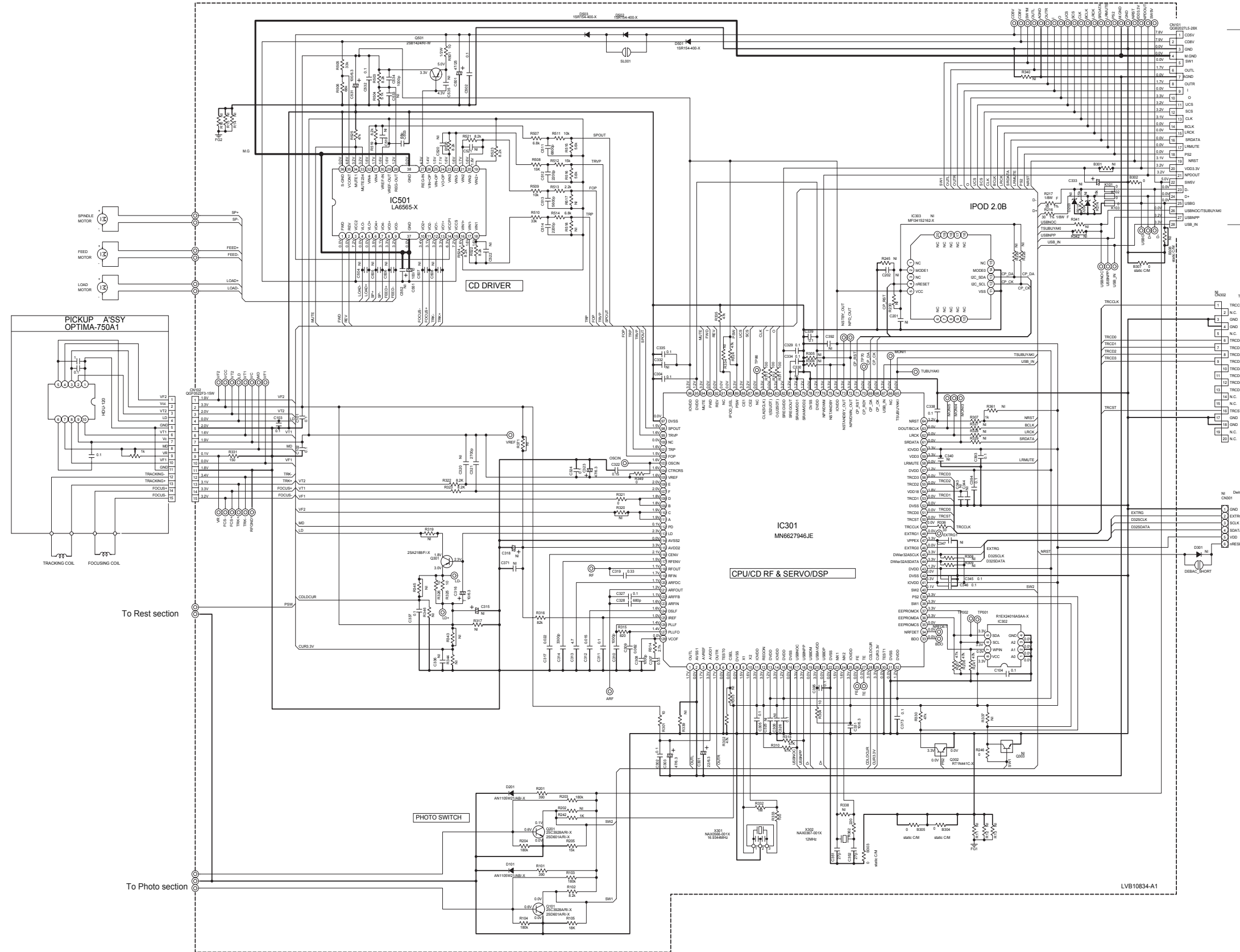


<LCD & Key control section (for KD-S27J)>



- NOTES
1. VOLTAGES ARE DC-MEASURED WITH A DIGITAL VOLT METER WITHOUT INPUT SIGNAL.
 2. UNLESS OTHERWISE SPECIFIED:
ALL RESISTORS ARE 1/16W ±5% METAL GLAZE RESISTOR.
ALL CAPACITORS ARE 50V OR 25V CERAMIC CAPACITOR.
ALL RESISTANCE VALUES ARE IN OHM.
ALL CAPACITANCE VALUES ARE IN μF (PPH)
ALL CAPACITORS ARE SHOWN IN THE FORM OF CAPACITANCE(F)/RATED VOLTAGE(V)
T - TANTALUM CAPACITOR.
 3. COMPONENTS IN () INDICATE NOT USE.

<Mecha control section>



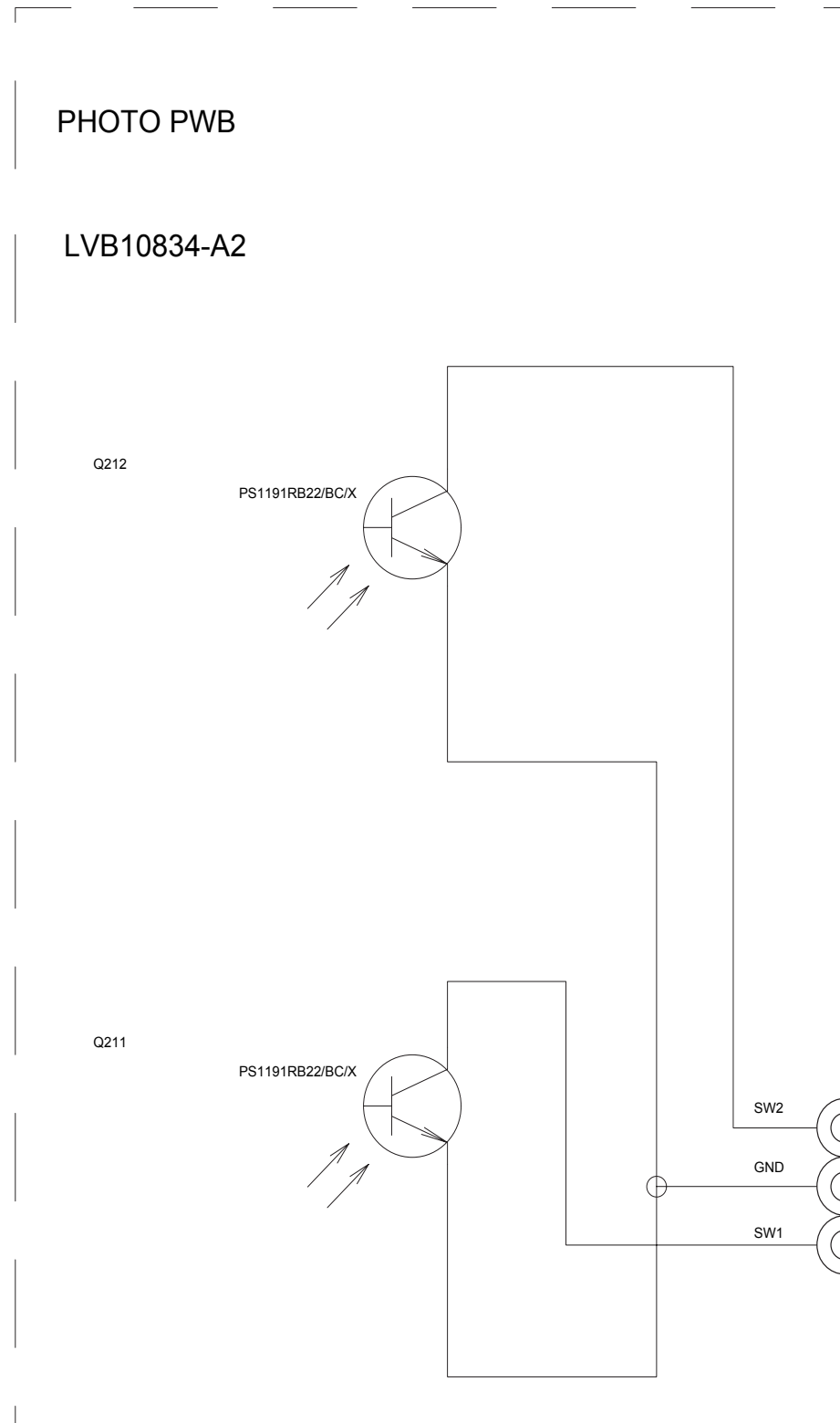
To Main section
(for Except KD-R35E,35EY,38EE,411E,
411EY,411EU,412E,412EY,412EU,417EE)

To Main section
(for KD-R35E,35EY,38EE,411E,411EY,
411EU,412E,412EY,412EU,417EE)

To Main section
(for KD-R416SUN,R419UR)

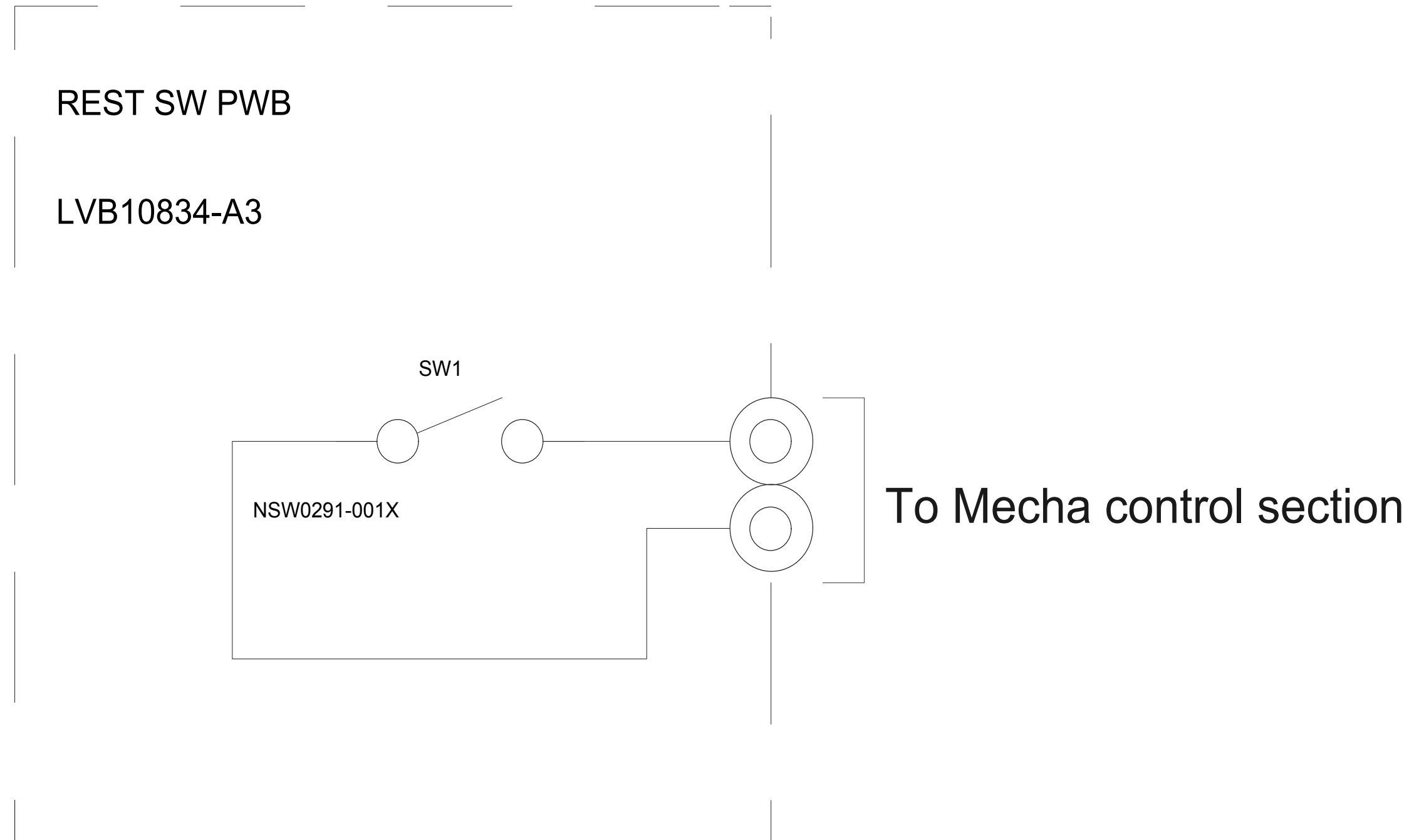
To Main section (for KD-S27J)

<Photo section>



To Mecha control section

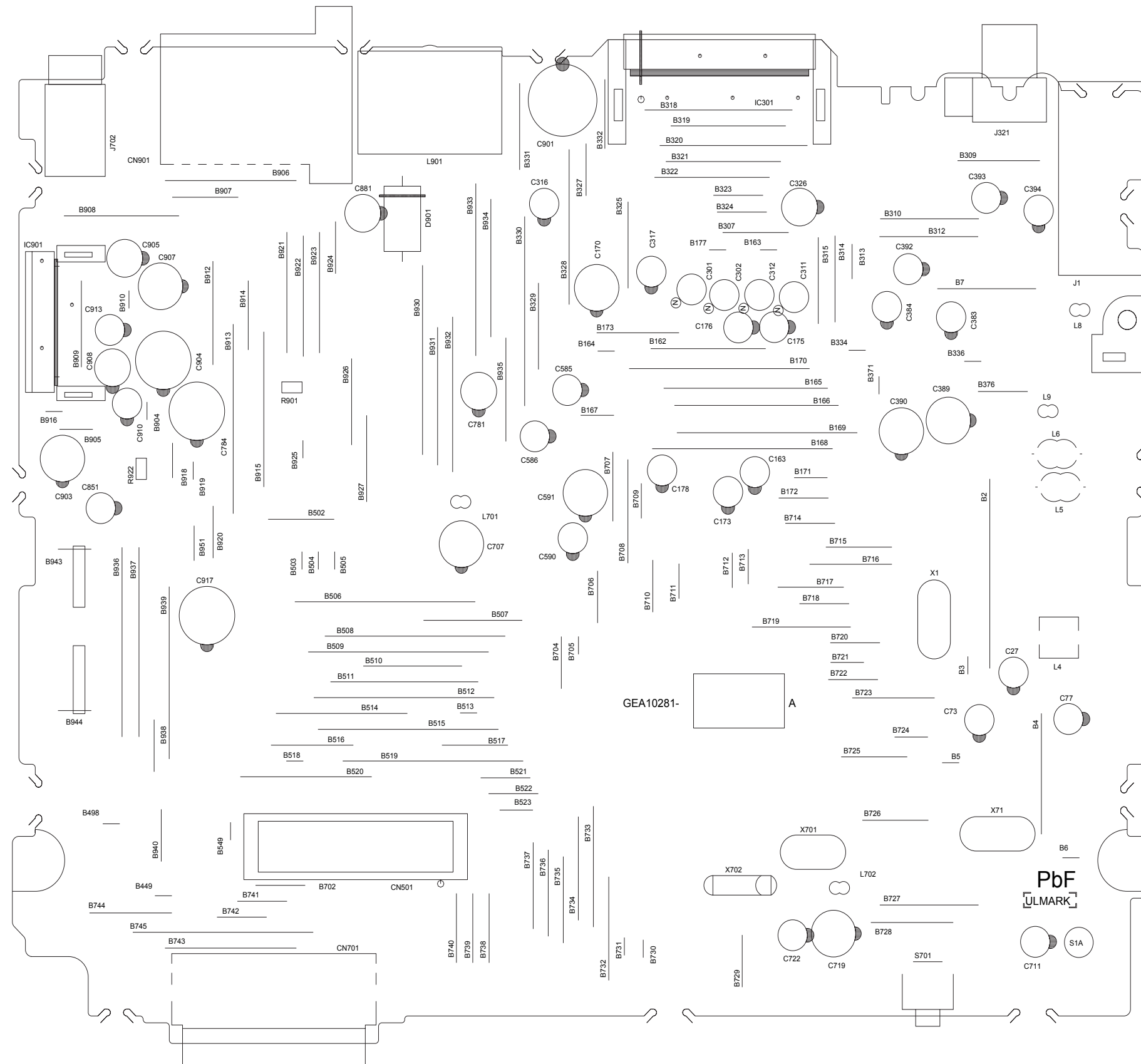
<Rest switch section>



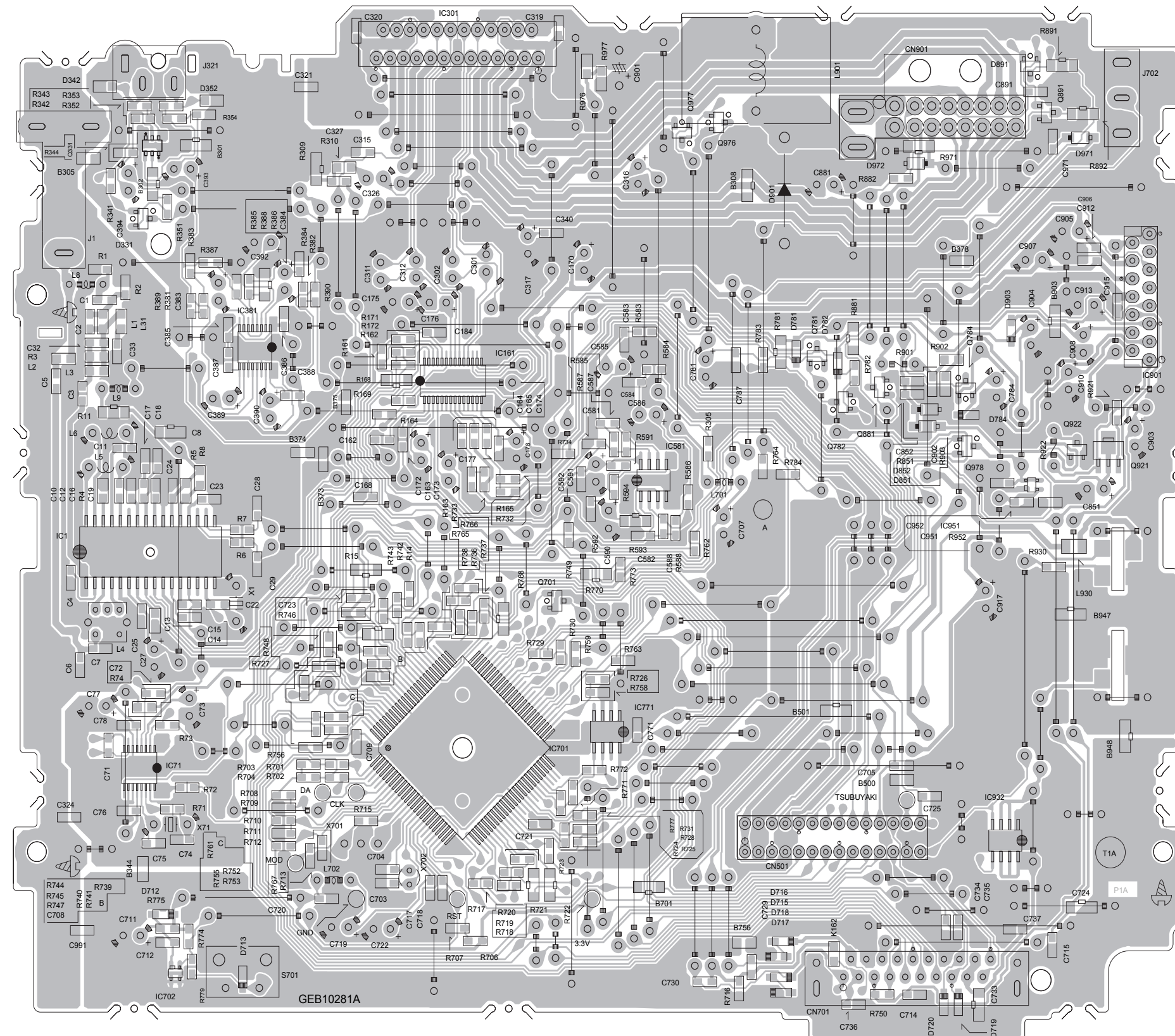
<Main board (for Except KD-R35E,35EY,38EE,411E,411EY,411EU,412E,412EY,412EU,417EE)>

(Lead free solder used in the board (material : Sn-Ag-Cu, melting point : 219 Centigrade))

(Lead free solder used in the board (material : Sn-Cu, melting point : 230 Centigrade))

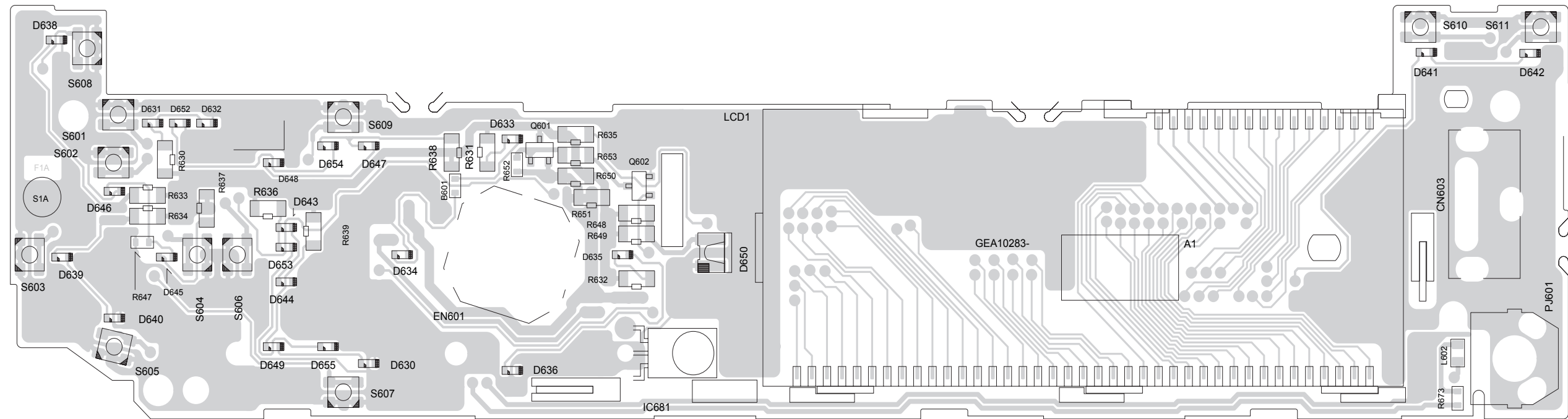


<Main board (for Except KD-R35E,35EY,38EE,411E,411EY,411EU,412E,412EY,412EU,417EE)>
(Lead free solder used in the board (material : Sn-Ag-Cu, melting point : 219 Centigrade))
(Lead free solder used in the board (material : Sn-Cu, melting point : 230 Centigrade))



<Switch board (for Except KD-R35E,35EY,38EE,411E,411EY,411EU,412E,412EY,412EU,417EE,KD-R416SUN,R419UR)>

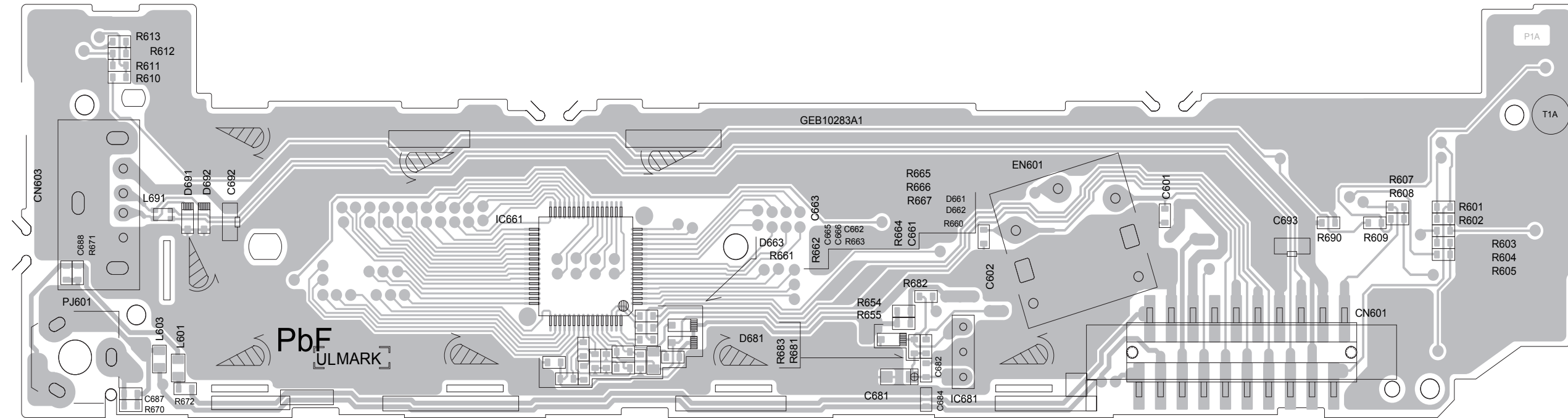
(Lead free solder used in the board (material : Sn-Ag-Cu, melting point : 219 Centigrade))
(Lead free solder used in the board (material : Sn-Cu, melting point : 230 Centigrade))



<Switch board (for Except KD-R35E,35EY,38EE,411E,411EY,411EU,412E,412EY,412EU,417EE,KD-R416SUN,R419UR)>

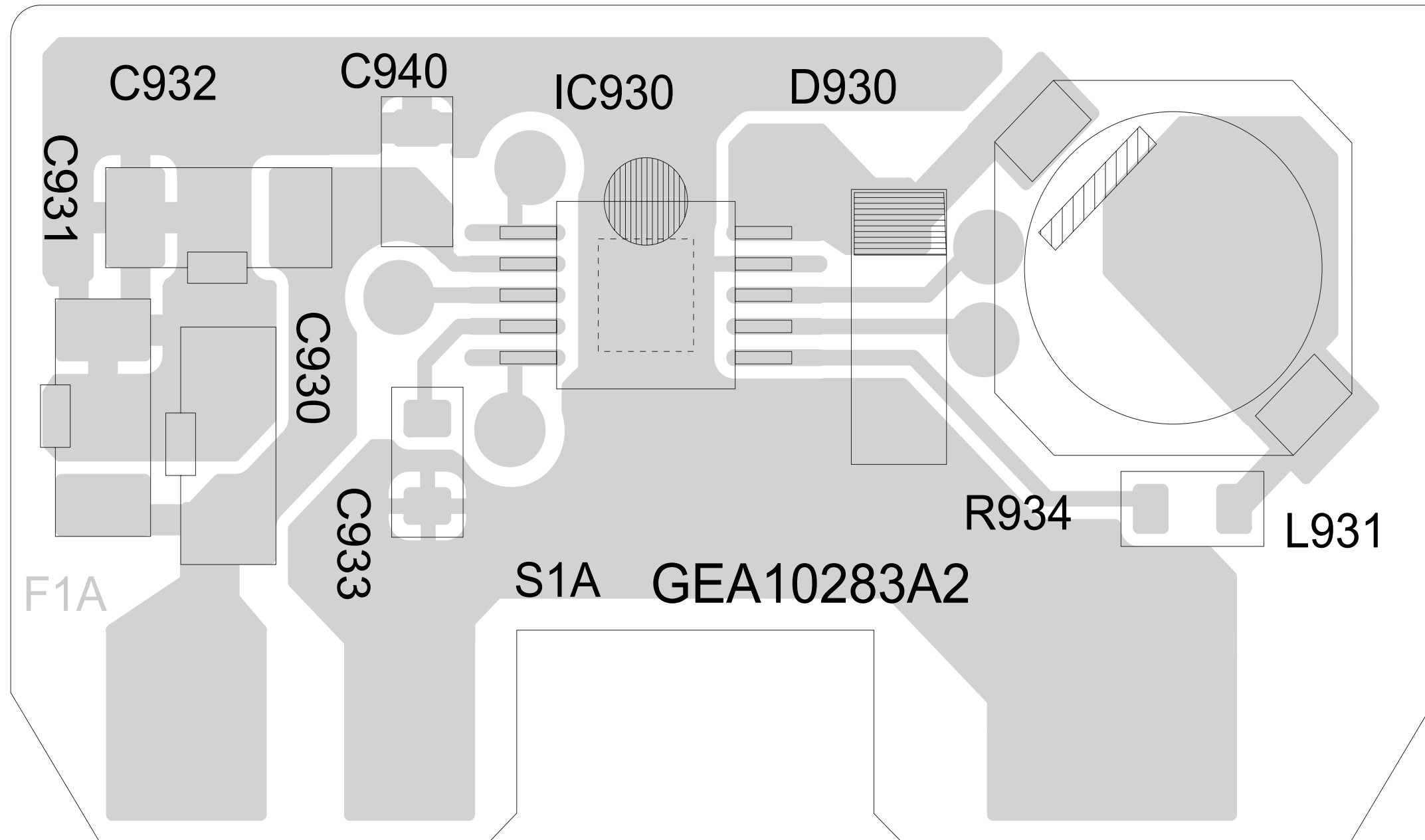
(Lead free solder used in the board (material : Sn-Ag-Cu, melting point : 219 Centigrade))

(Lead free solder used in the board (material : Sn-Cu, melting point : 230 Centigrade))



<Sub board (for Except KD-R35E,35EY,38EE,411E,411EY,411EU,412E,412EY,412EU,417EE,KD-R416SUN,R419UR)>

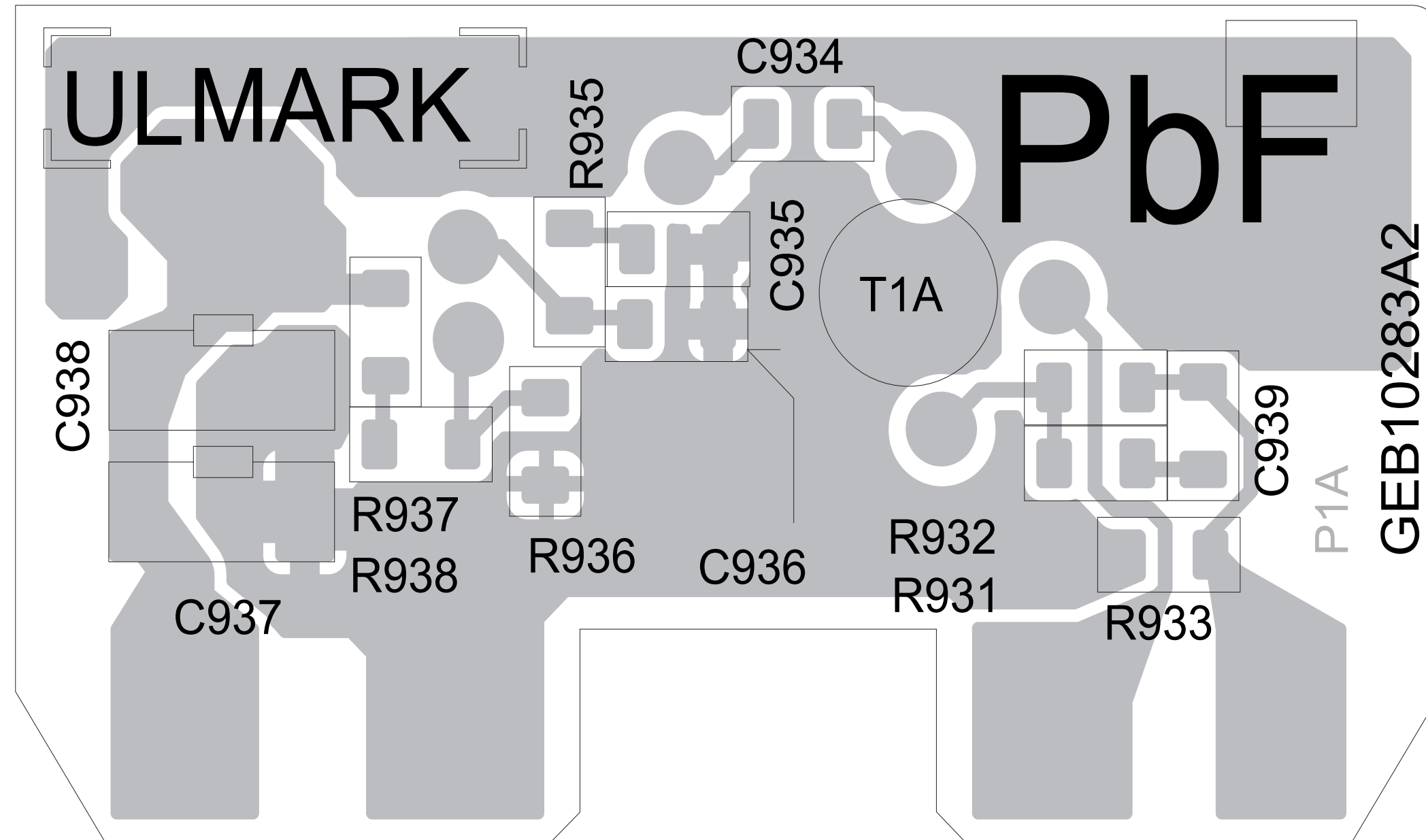
(Lead free solder used in the board (material : Sn-Ag-Cu, melting point : 219 Centigrade))
(Lead free solder used in the board (material : Sn-Cu, melting point : 230 Centigrade))



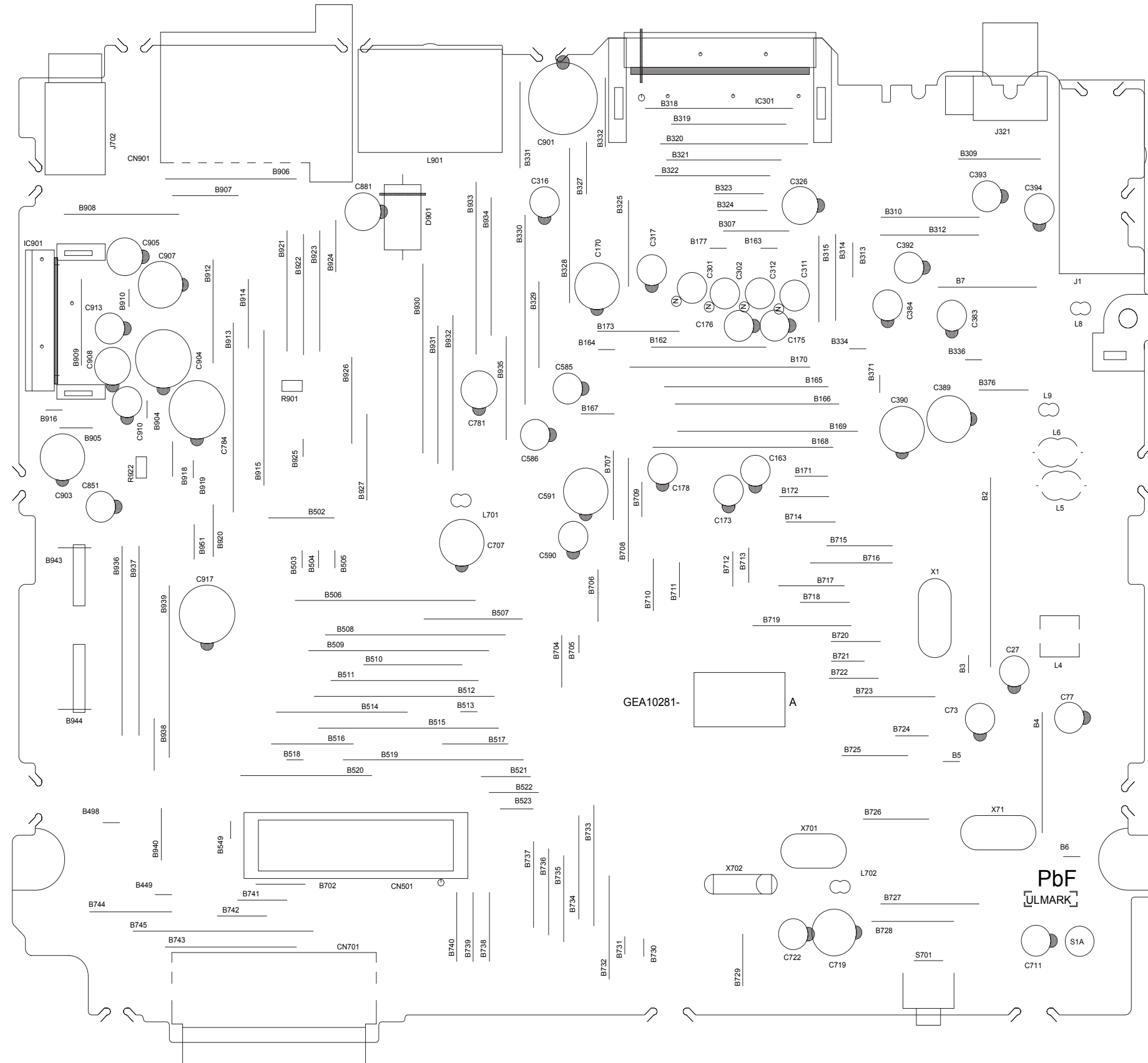
<Sub board (for Except KD-R35E,35EY,38EE,411E,411EY,411EU,412E,412EY,412EU,417EE,KD-R416SUN,R419UR)>

(Lead free solder used in the board (material : Sn-Ag-Cu, melting point : 219 Centigrade))

(Lead free solder used in the board (material : Sn-Cu, melting point : 230 Centigrade))



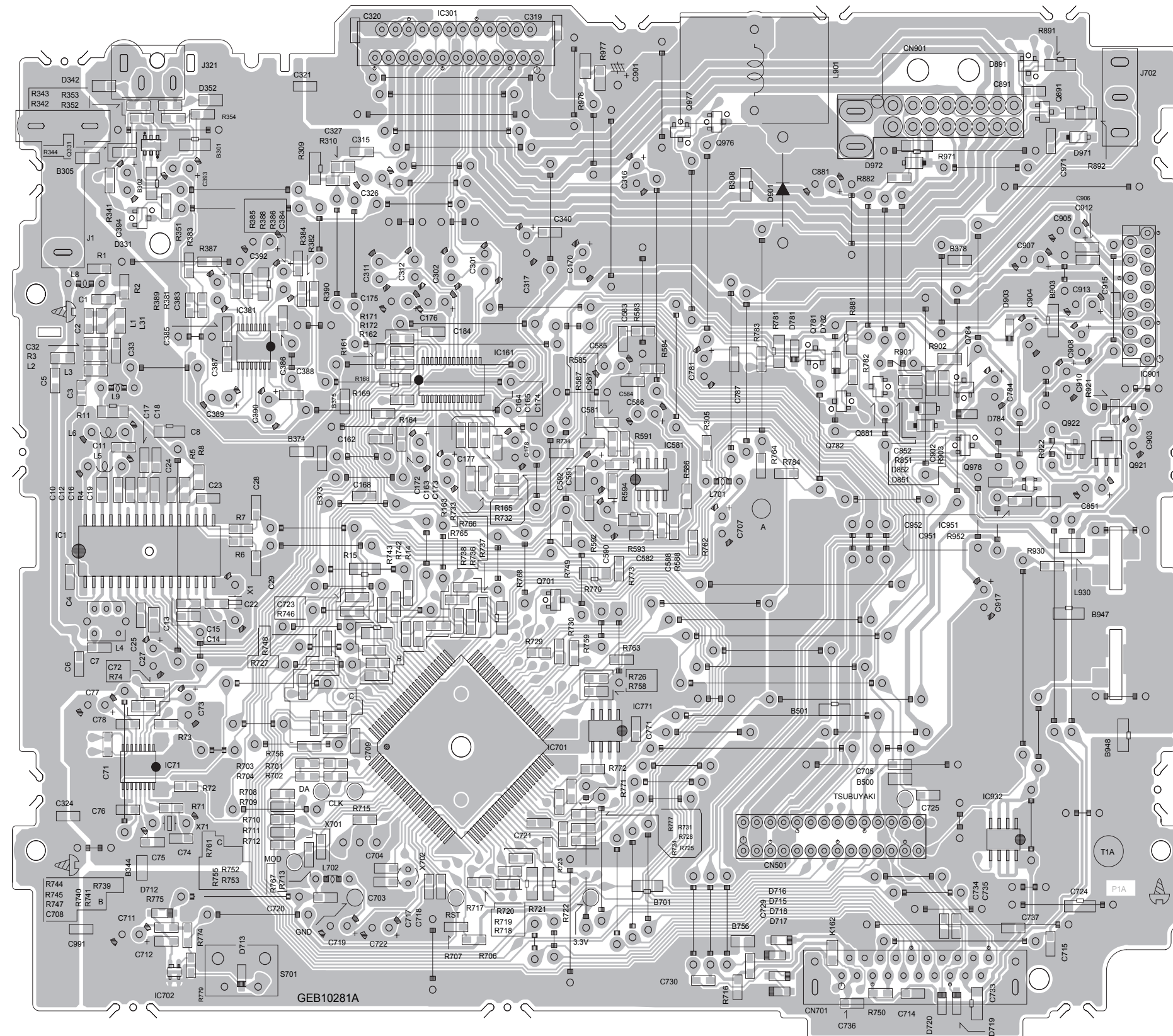
<Main board (for KD-R35E,35EY,38EE,411E,411EY,411EU,412E,412EY,412EU,417EE)>
 (Lead free solder used in the board (material : Sn-Ag-Cu, melting point : 219 Centigrade))
 (Lead free solder used in the board (material : Sn-Cu, melting point : 230 Centigrade))



<Main board (for KD-R35E,35EY,38EE,411E,411EY,411EU,412E,412EY,412EU,417EE)>

(Lead free solder used in the board (material : Sn-Ag-Cu, melting point : 219 Centigrade))

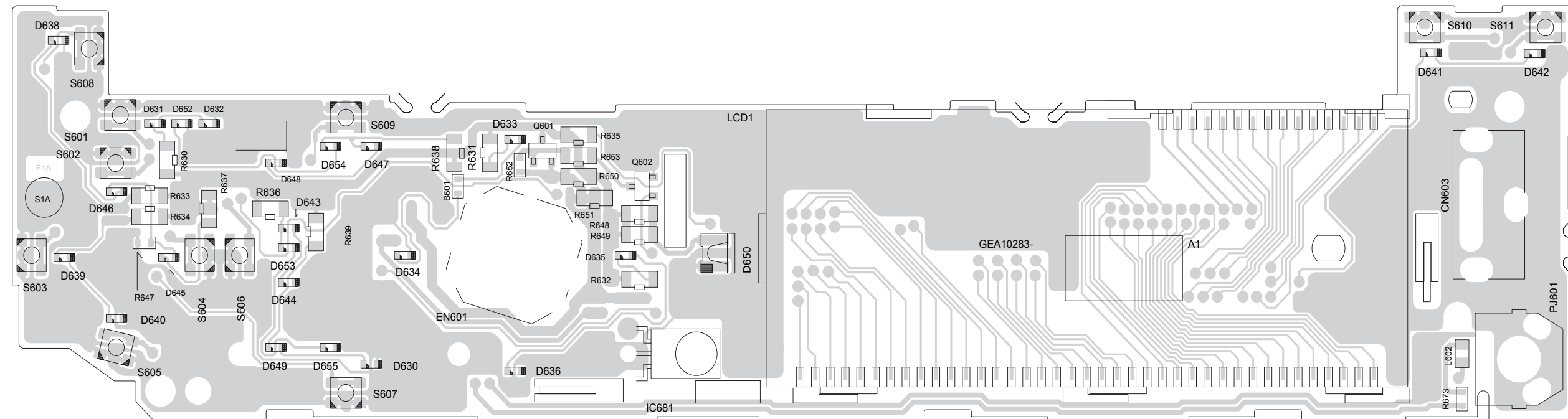
(Lead free solder used in the board (material : Sn-Cu, melting point : 230 Centigrade))



<Switch board (for KD-R35E,35EY,38EE,411E,411EY,411EU,412E,412EY,412EU,417EE)>

(Lead free solder used in the board (material : Sn-Ag-Cu, melting point : 219 Centigrade))

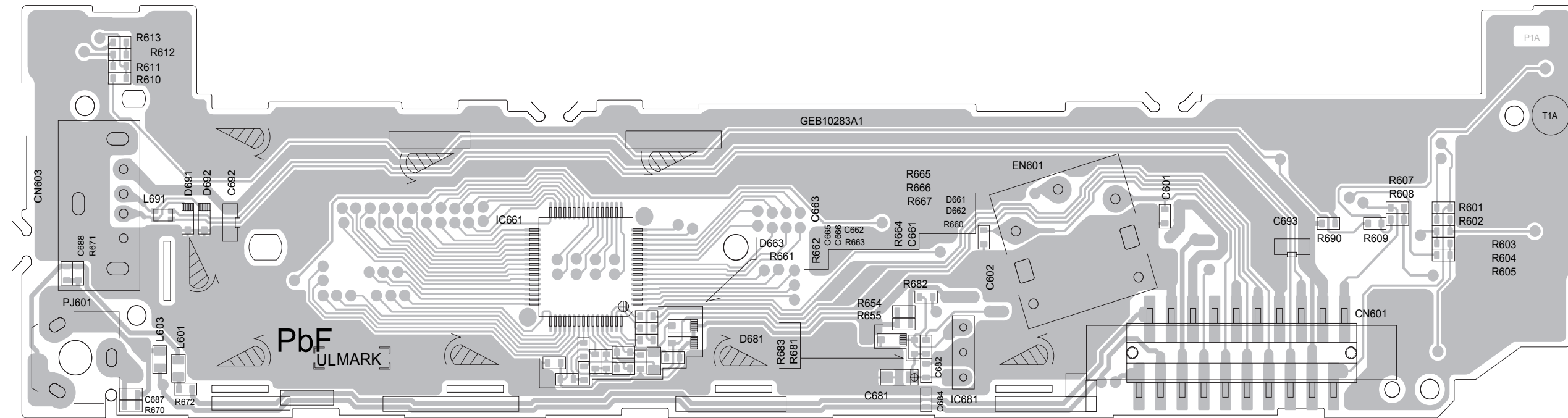
(Lead free solder used in the board (material : Sn-Cu, melting point : 230 Centigrade))



<Switch board (for KD-R35E,35EY,38EE,411E,411EY,411EU,412E,412EY,412EU,417EE)>

(Lead free solder used in the board (material : Sn-Ag-Cu, melting point : 219 Centigrade))

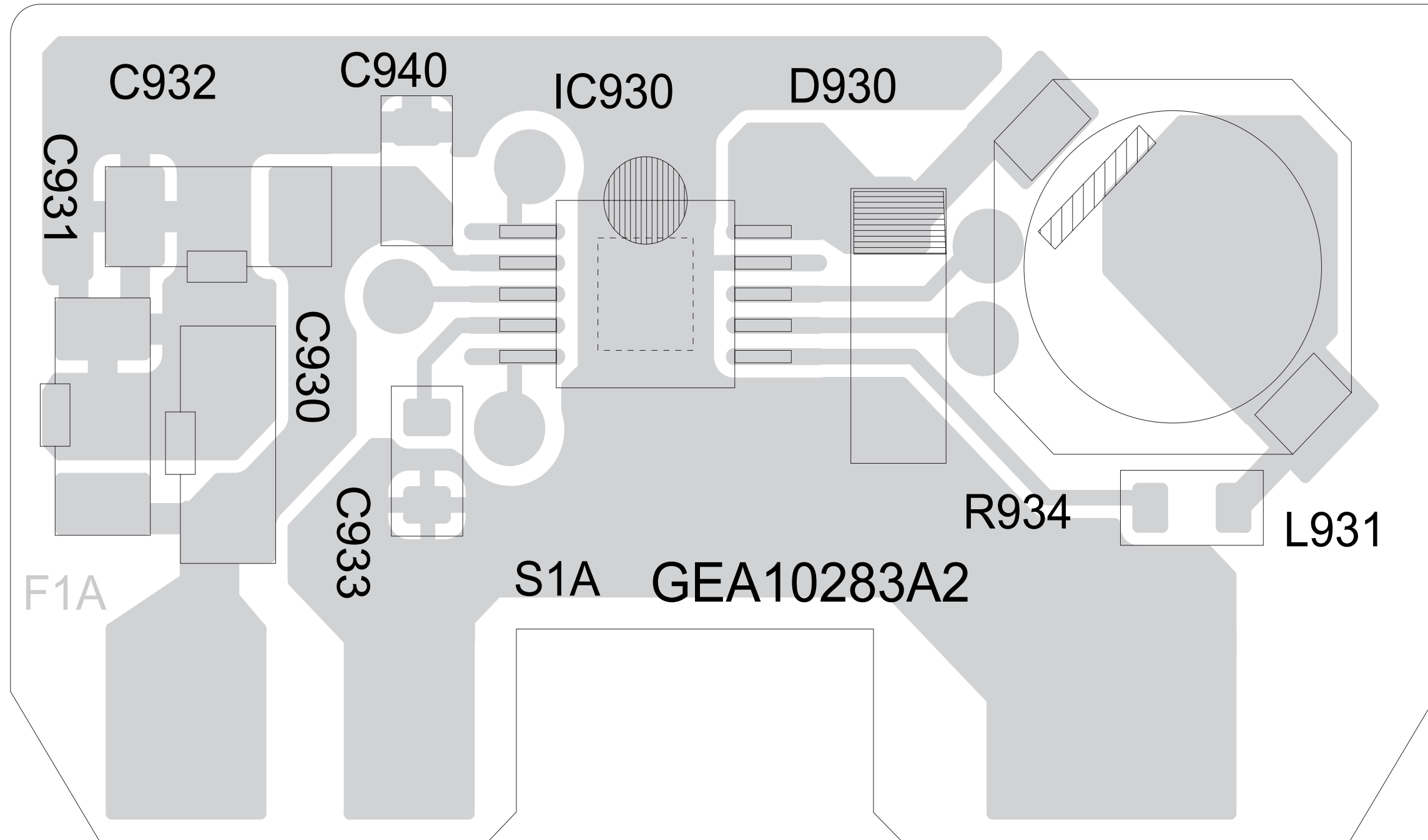
(Lead free solder used in the board (material : Sn-Cu, melting point : 230 Centigrade))



<Sub board (for KD-R35E,35EY,38EE,411E,411EY,411EU,412E,412EY,412EU,417EE)>

(Lead free solder used in the board (material : Sn-Ag-Cu, melting point : 219 Centigrade))

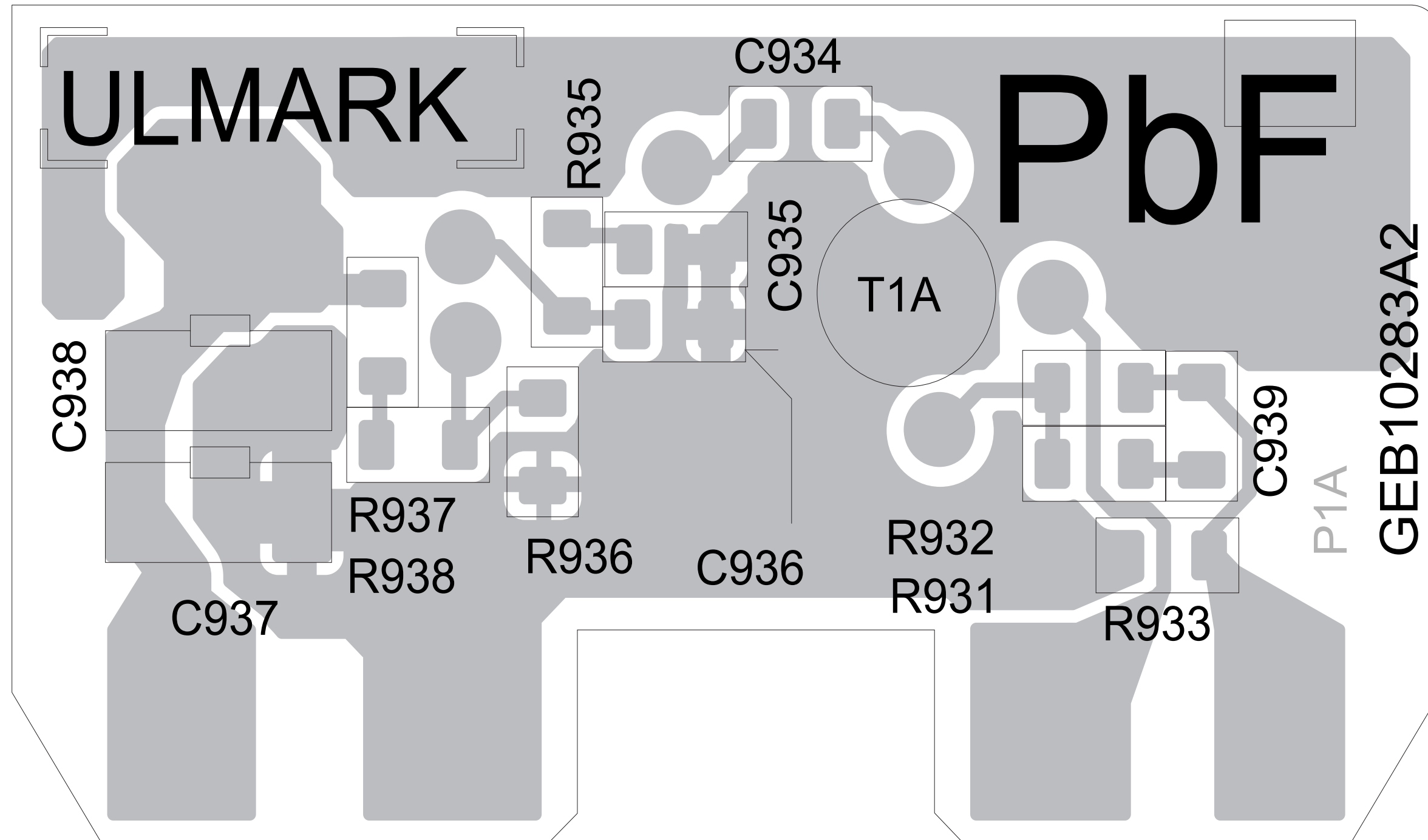
(Lead free solder used in the board (material : Sn-Cu, melting point : 230 Centigrade))



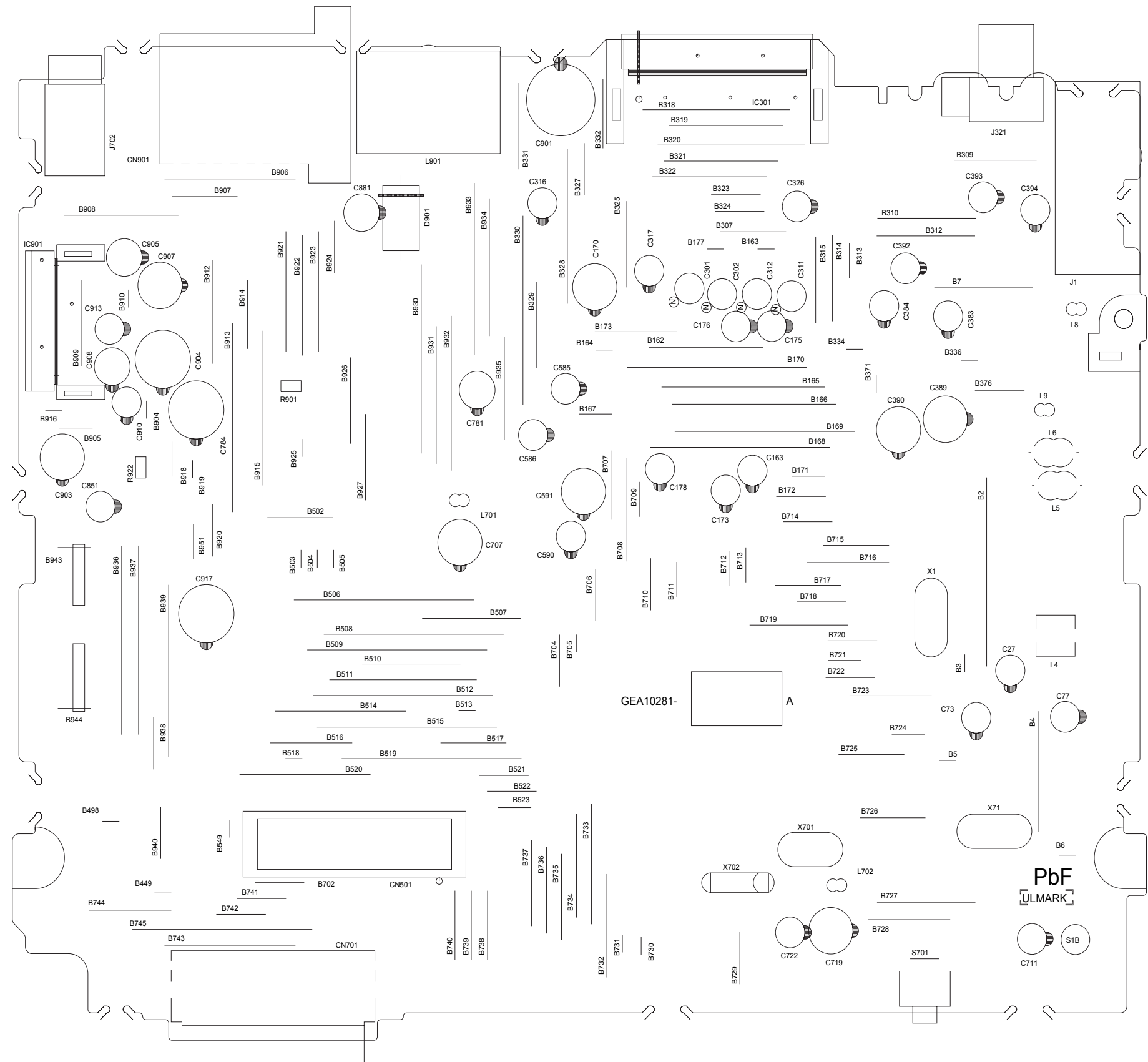
<Sub board (for KD-R35E,35EY,38EE,411E,411EY,411EU,412E,412EY,412EU,417EE)>

(Lead free solder used in the board (material : Sn-Ag-Cu, melting point : 219 Centigrade))

(Lead free solder used in the board (material : Sn-Cu, melting point : 230 Centigrade))



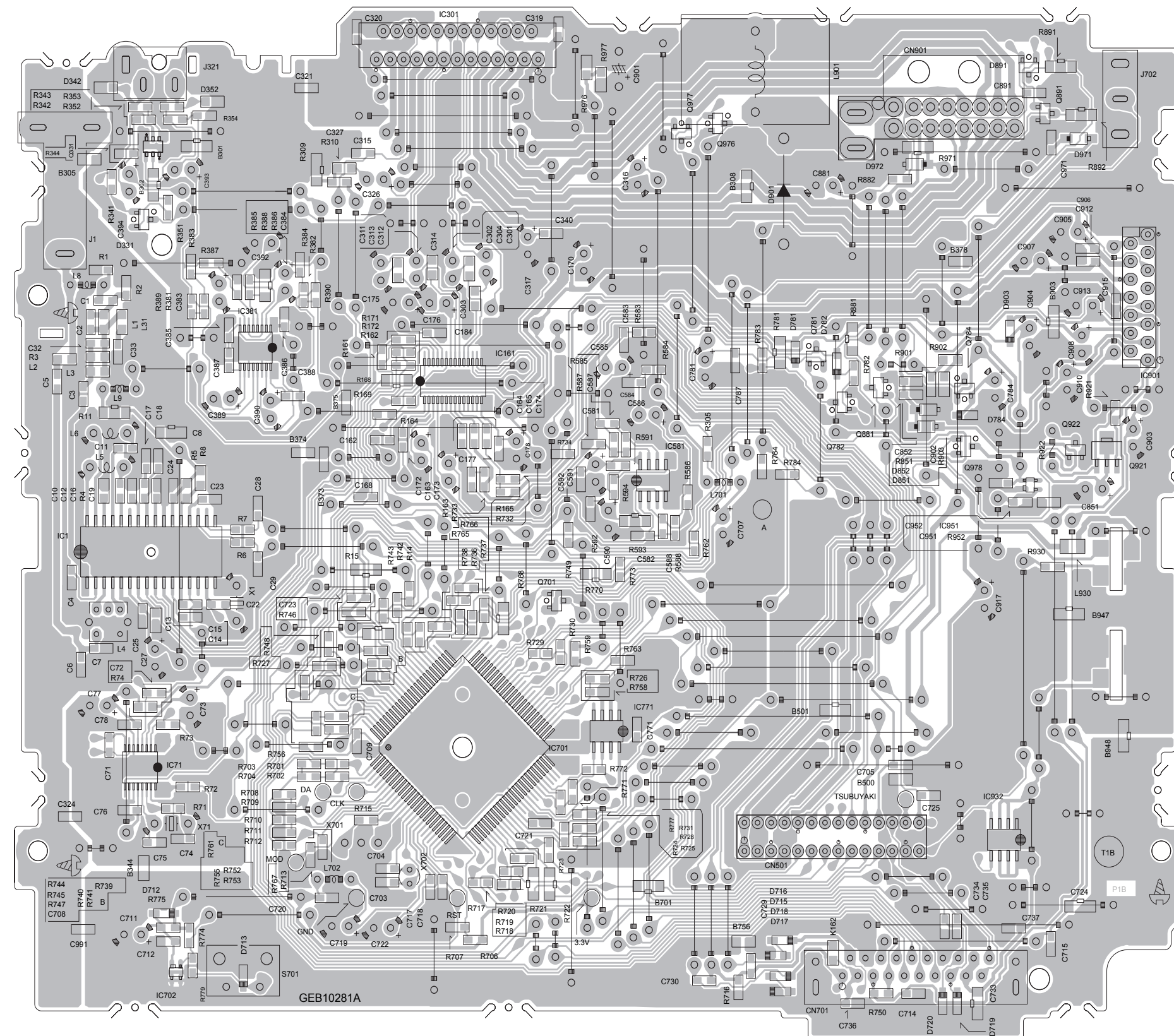
<Main board (for KD-R416SUN,R419UR)>
 (Lead free solder used in the board (material : Sn-Ag-Cu, melting point : 219 Centigrade))
 (Lead free solder used in the board (material : Sn-Cu, melting point : 230 Centigrade))



<Main board (for KD-R416SUN,R419UR)>

(Lead free solder used in the board (material : Sn-Ag-Cu, melting point : 219 Centigrade))

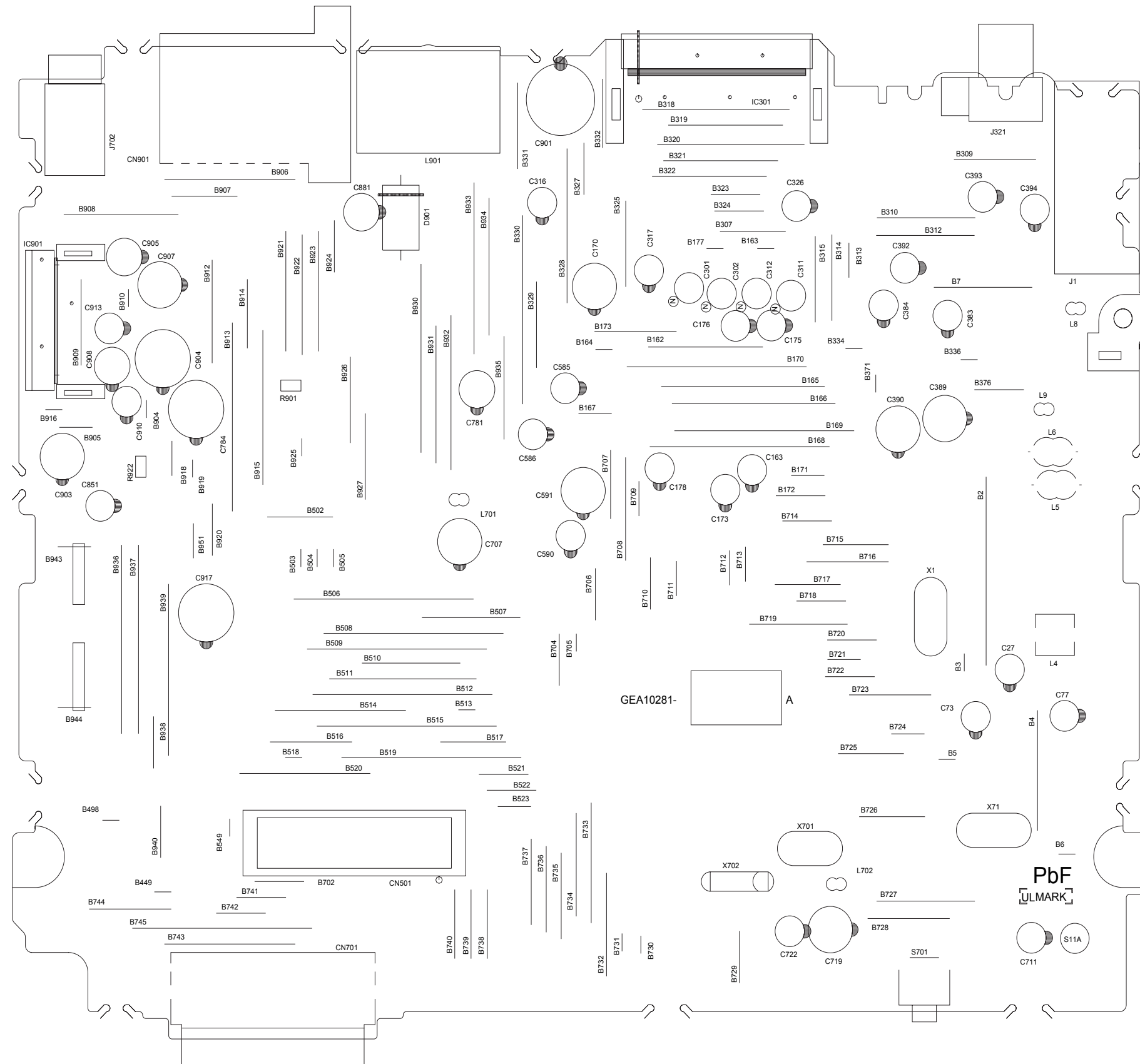
(Lead free solder used in the board (material : Sn-Cu, melting point : 230 Centigrade))



<Main board (for KD-S27J)>

(Lead free solder used in the board (material : Sn-Ag-Cu, melting point : 219 Centigrade))

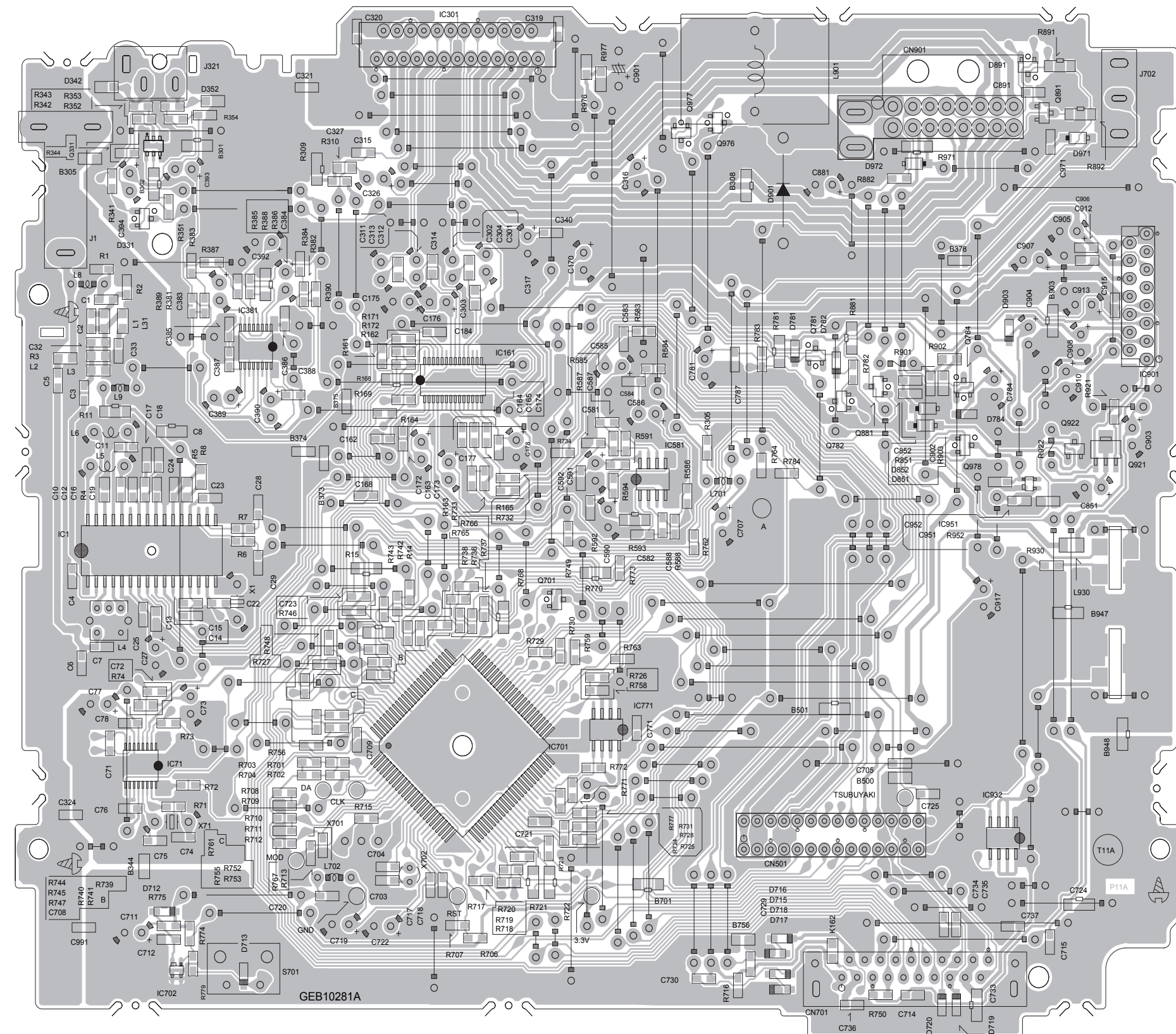
(Lead free solder used in the board (material : Sn-Cu, melting point : 230 Centigrade))



<Main board (for KD-S27J)>

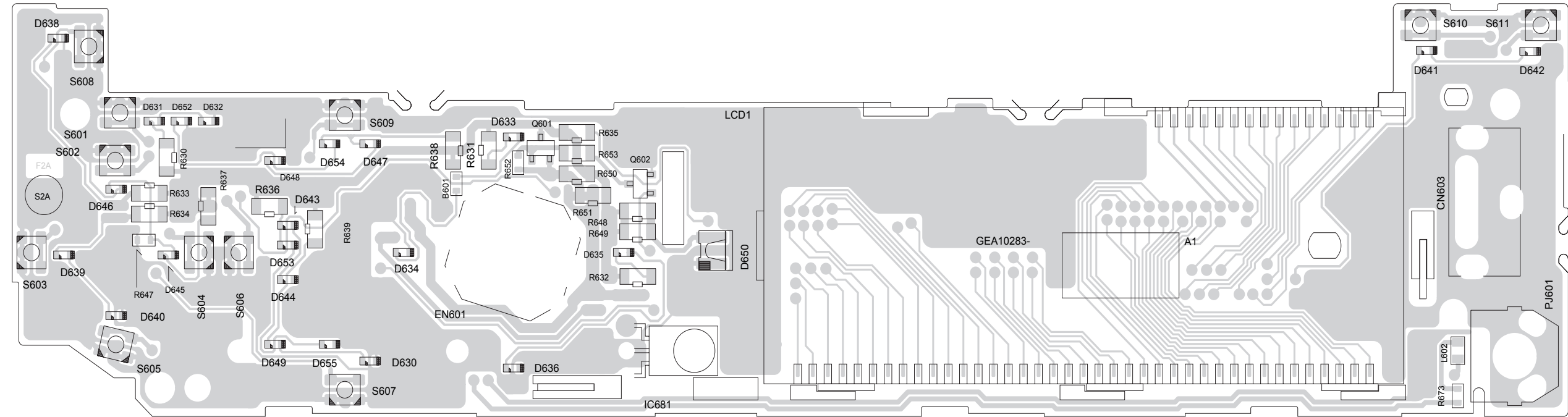
(Lead free solder used in the board (material : Sn-Ag-Cu, melting point : 219 Centigrade))

(Lead free solder used in the board (material : Sn-Cu, melting point : 230 Centigrade))



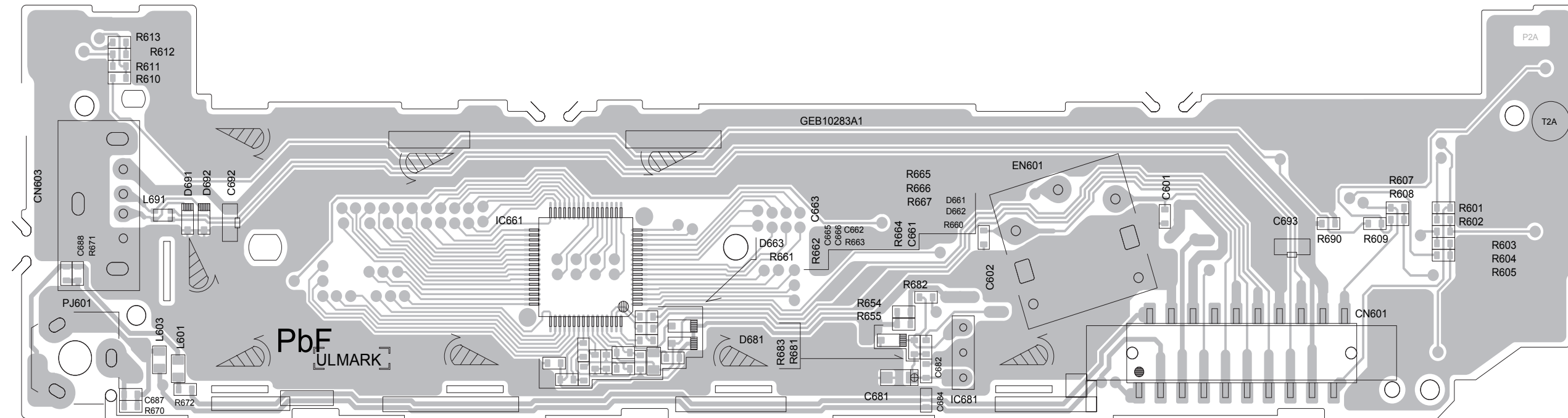
<Switch board (for KD-S27J)>

(Lead free solder used in the board (material : Sn-Ag-Cu, melting point : 219 Centigrade))
(Lead free solder used in the board (material : Sn-Cu, melting point : 230 Centigrade))



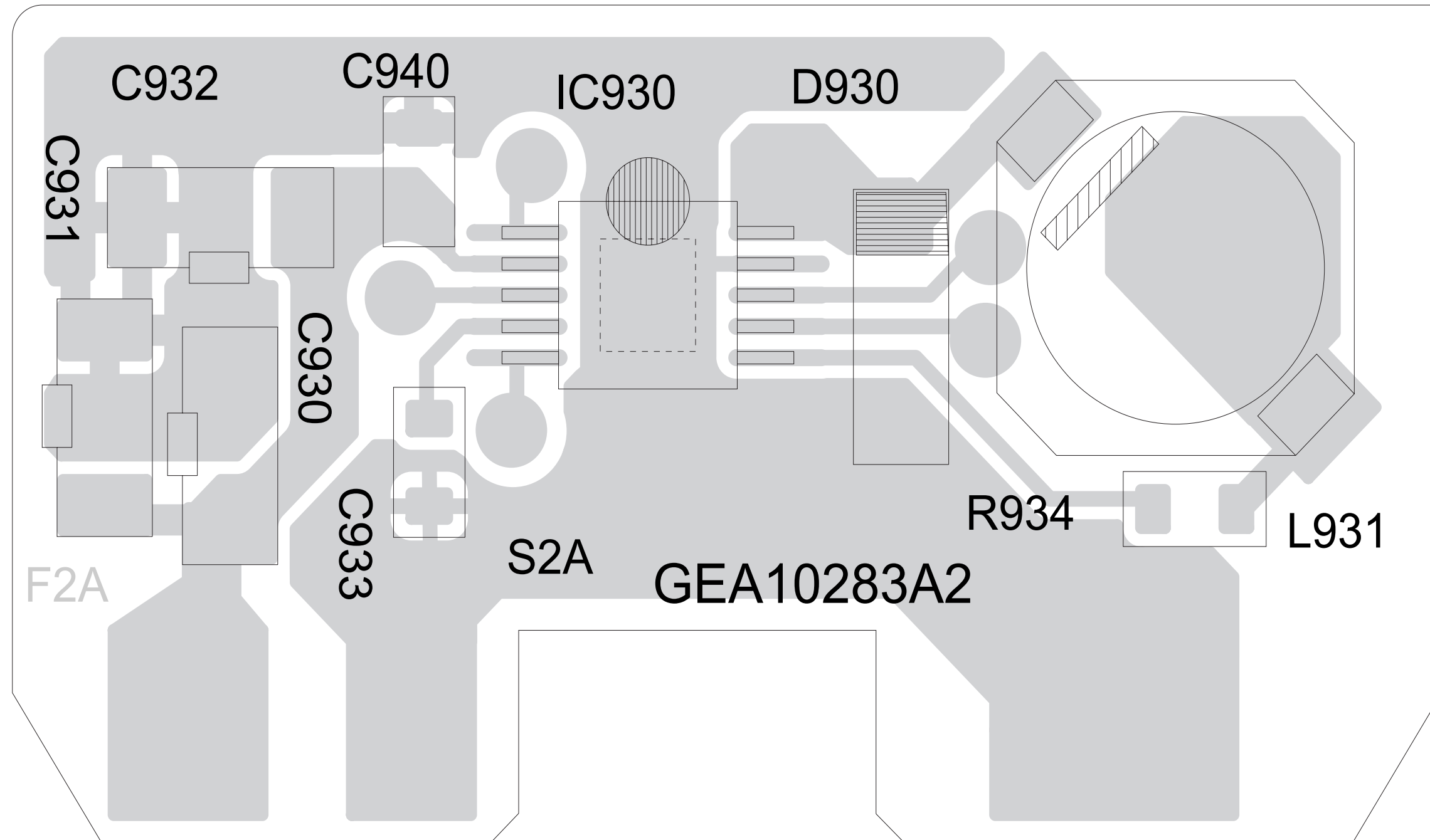
<Switch board (for KD-S27J)>

(Lead free solder used in the board (material : Sn-Ag-Cu, melting point : 219 Centigrade))
(Lead free solder used in the board (material : Sn-Cu, melting point : 230 Centigrade))



<Sub board (for KD-S27J)>

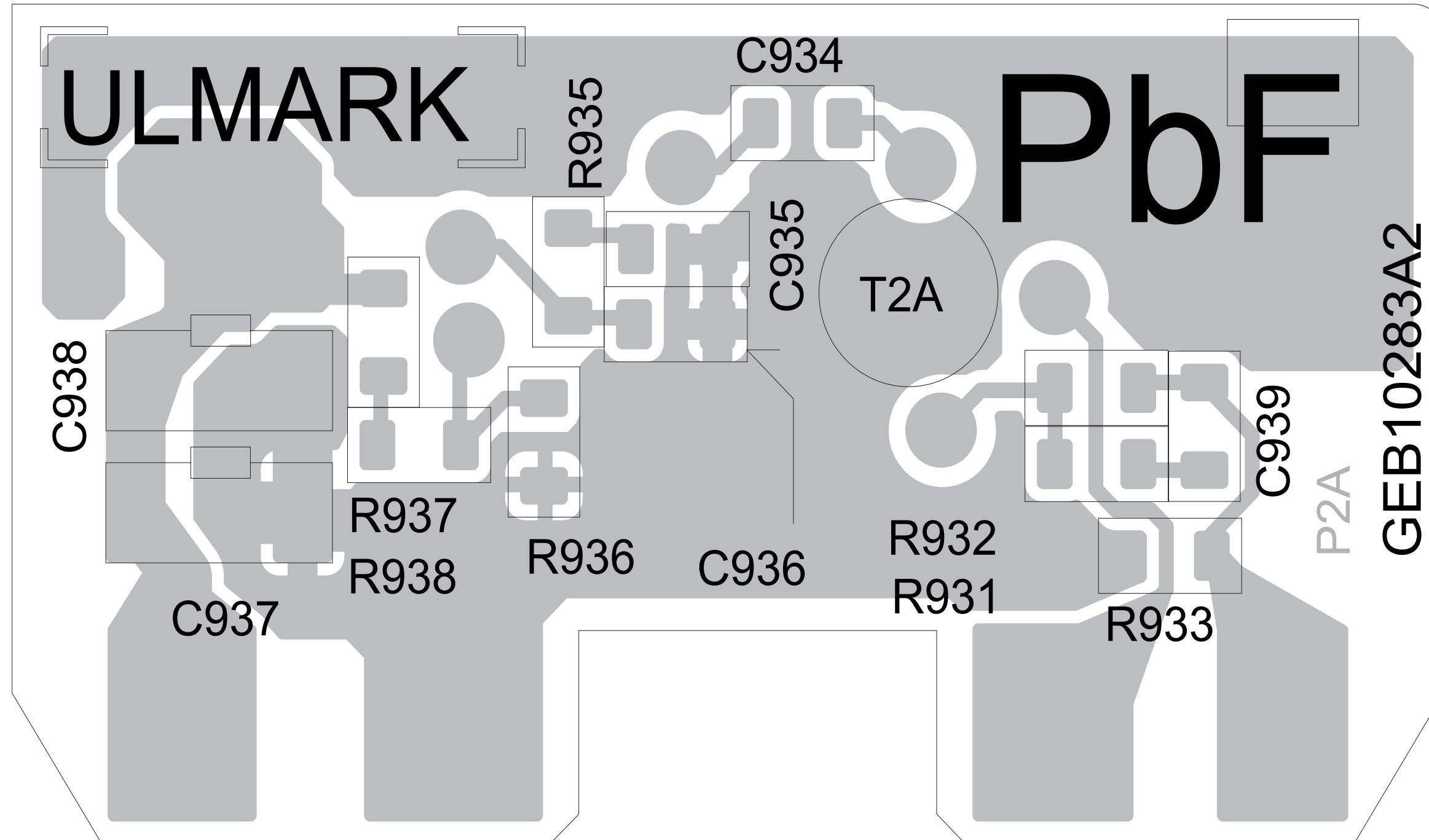
(Lead free solder used in the board (material : Sn-Ag-Cu, melting point : 219 Centigrade))
(Lead free solder used in the board (material : Sn-Cu, melting point : 230 Centigrade))



<Sub board (for KD-S27J)>

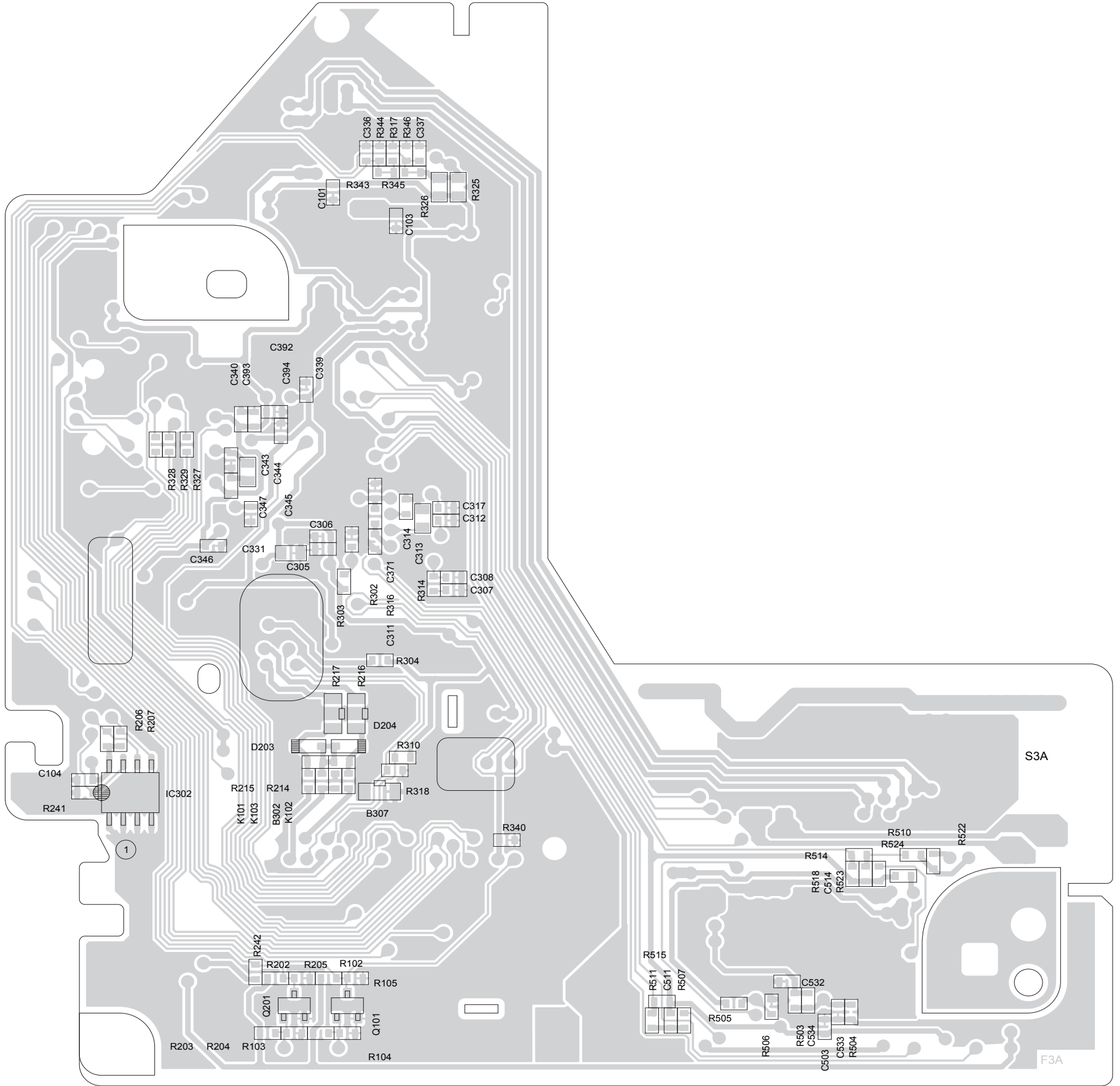
(Lead free solder used in the board (material : Sn-Ag-Cu, melting point : 219 Centigrade))

(Lead free solder used in the board (material : Sn-Cu, melting point : 230 Centigrade))



<Mecha control board>

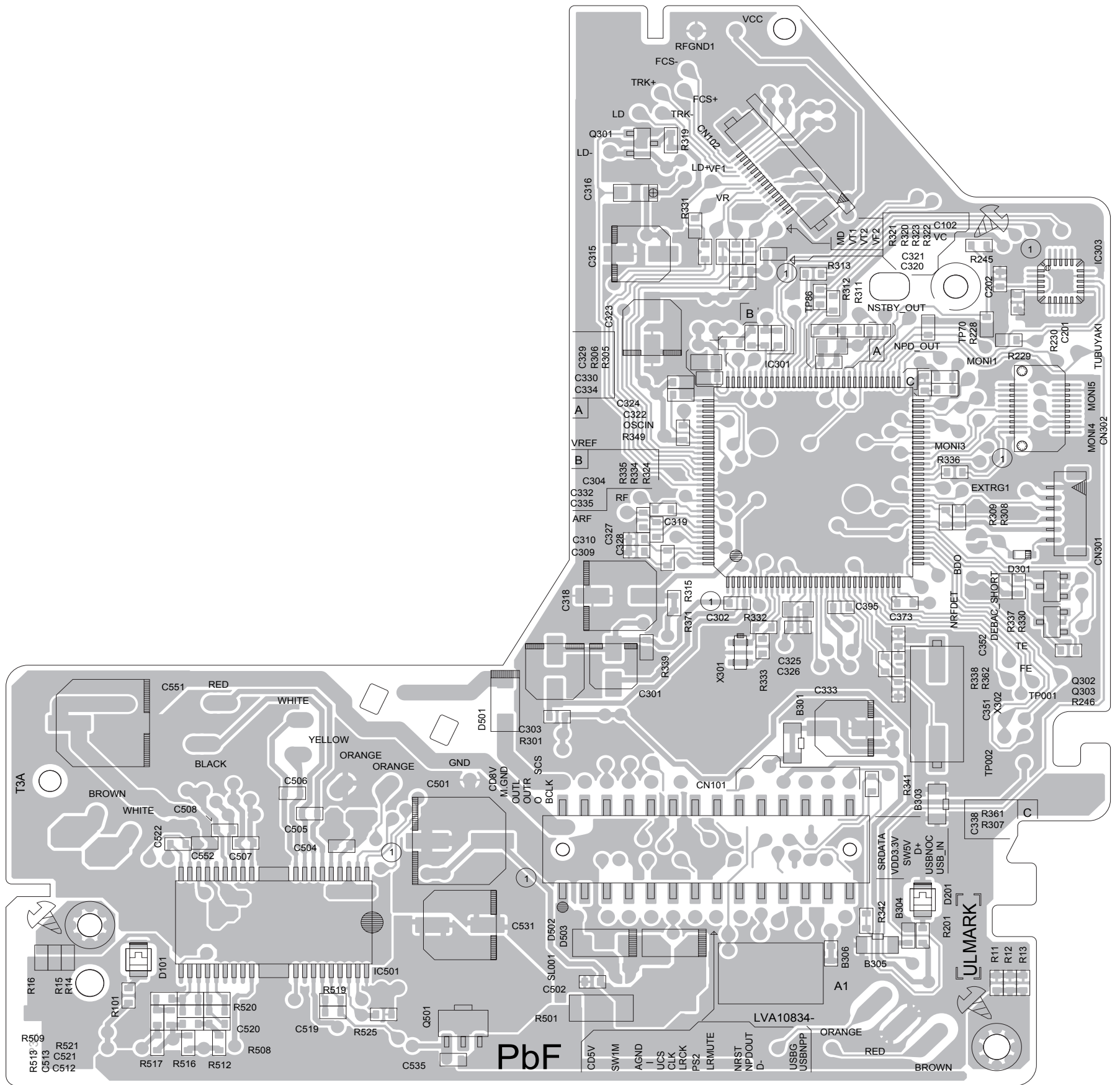
(Lead free solder used in the board (material : Sn-Ag-Cu, melting point : 219 Centigrade))
(Lead free solder used in the board (material : Sn-Cu, melting point : 230 Centigrade))



<Mecha control board>

(Lead free solder used in the board (material : Sn-Ag-Cu, melting point : 219 Centigrade))

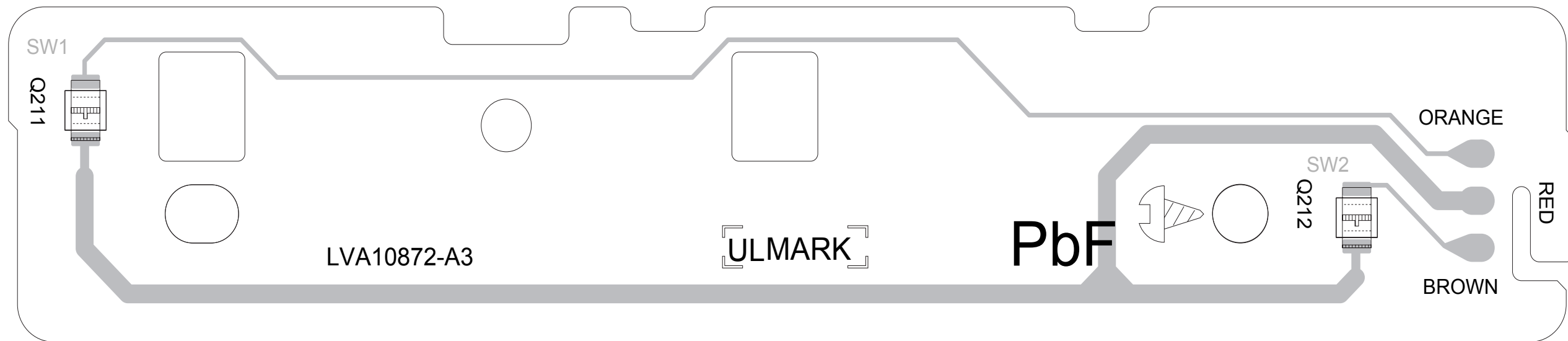
(Lead free solder used in the board (material : Sn-Cu, melting point : 230 Centigrade))



<Photo board>

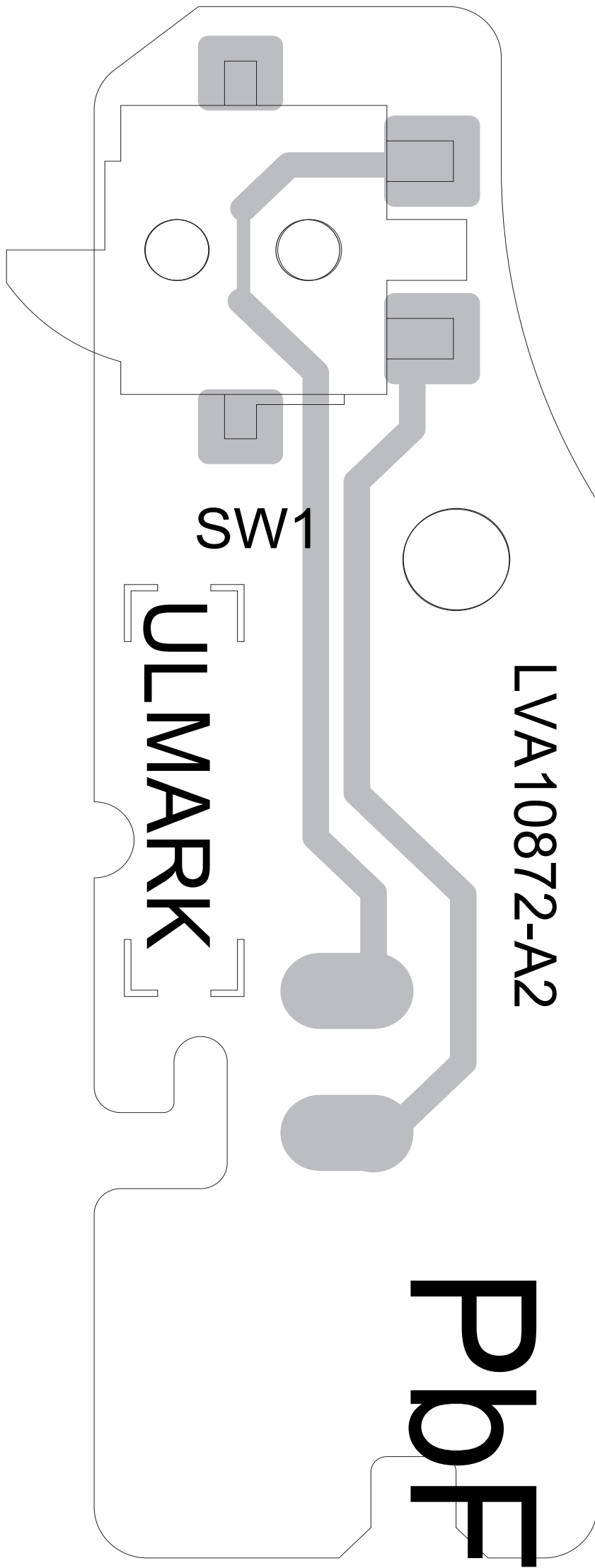
(Lead free solder used in the board (material : Sn-Ag-Cu, melting point : 219 Centigrade))

(Lead free solder used in the board (material : Sn-Cu, melting point : 230 Centigrade))



<Rest switch board>

(Lead free solder used in the board (material : Sn-Ag-Cu, melting point : 219 Centigrade))
(Lead free solder used in the board (material : Sn-Cu, melting point : 230 Centigrade))





PARTS LIST

CD RECEIVER

KD-R35E
KD-R411E
KD-R412E
KD-R414UI
KD-R415UT
KD-R416U
KD-R416UH
KD-R418J

KD-R35EY
KD-R411EY
KD-R412EY
KD-R415U
KD-R415UH
KD-R416UN
KD-R416UW
KD-R418UF
KD-R419UR

KD-R38EE
KD-R411EU
KD-R412EU
KD-R415UN
KD-R415UW
KD-R416UT
KD-R417EE
KD-R416SUN
KD-S27J



■ PRECAUTIONS ON SCHEMATIC DIAGRAMS

- Due to the improvement in performance, some part numbers shown in the circuit diagrams may not agree with those indicated in the Parts List.
- The parts numbers, values and rated voltage etc. in the Schematic Diagrams are for reference only.
- Since the circuit diagrams are standard ones, the circuits and circuit constants may be subject to change for improvement without any notice.

■ PRECAUTIONS ON PARTS LIST

- The parts identified by the \triangle symbol are critical for safety. Whenever replacing these parts, be sure to use specified ones to secure the safety.
- The parts not indicated in this Parts List and those which are filled with lines --- in the Parts No. columns will not be supplied.
- P.W. BOARD Ass'y will not be supplied, but those which are filled with the Parts No. in the Parts No. columns will be supplied.
- When ordering chips, screws etc., place bulk orders (unit of tens) whenever possible to improve shipping efficiency.
- There are cases where the actual implemented parts in the sets and the service parts are different. When ordering parts, make sure to refer to the Parts List.

■ PRECAUTIONS ON SERVICE

Certain parts of the power circuits and the GNDs differ according to the models. Care must be taken for the following points as the differences are indicated separately in the LIVE GND () and the ISOLATED (NEUTRAL) GND () .

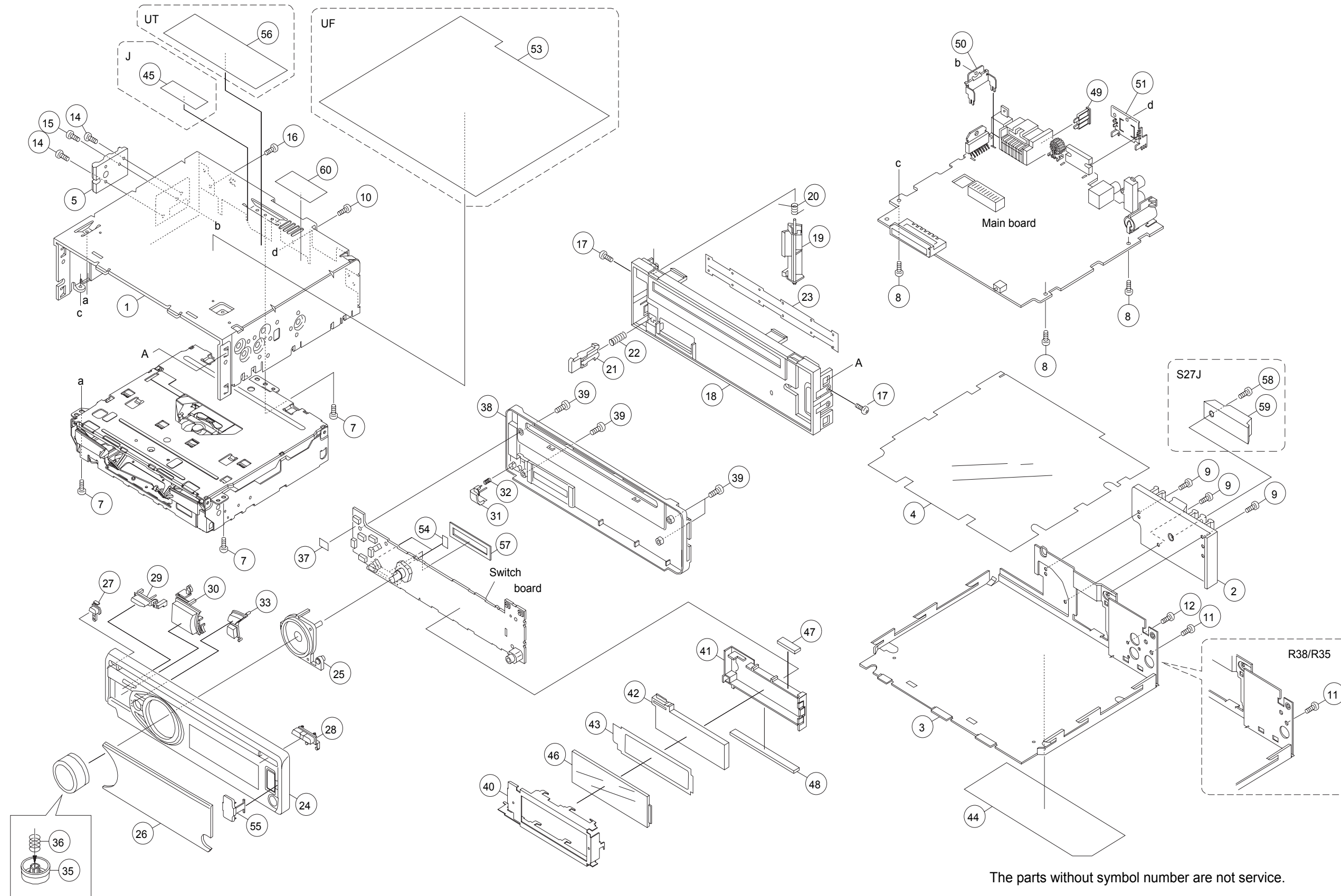
1. Do not touch the LIVE GND, or do not touch the LIVE GND and the ISOLATED (NEUTRAL) GND at the same time. It may cause an electric shock.
Before pulling out the chassis or other parts, make sure to pull out the power cord from the wall outlet first.
2. Do not short circuit between the LIVE GND and ISOLATED (NEUTRAL) GND, or never measure the LIVE GND and ISOLATED (NEUTRAL) GND at the same time using measuring instruments (oscilloscope, etc.). It may blow fuses or damage other parts.

■ DEVIATION TOLERANCE RANGE

DEVIATION TOLERANCE RANGE									
F	G	J	K	M	N	R	H	Z	P
± 1%	± 2%	± 5%	±10%	±20%	±30%	+30% -10%	+50% -10%	+80% -20%	+100% -0%

Exploded view of general assembly

Block No.M1MM



MODEL	MARK	MODEL	MARK	MODEL	MARK	MODEL	MARK
KD-R35E	A	KD-R35EY	B	KD-R38EE	C	KD-R411E	D
KD-R411EU	E	KD-R411EY	F	KD-R412E	G	KD-R412EU	H
KD-R412EY	I	KD-R414UI	J	KD-R415U	K	KD-R415UH	L
KD-R415UN	M	KD-R415UT	N	KD-R415UW	O	KD-R416SUN	P
KD-R416U	Q	KD-R416UH	R	KD-R416UN	S	KD-R416UT	T
KD-R416UW	U	KD-R417EE	V	KD-R418J	W	KD-R418UF	X
KD-R419UR	Y	KD-S27J	Z				

Safe	Symbol No.	Parts No.	Parts Name	Description	QTY	Local
General assembly <M1MM>						
	1	GE10248-004A	TOP CHASSIS		1	
	1	GE10248-011A	TOP CHASSIS		1	A,B,C,J,K,L,M,N,O,P,Q,R,
	2	GE33323-002A	HEAT SINK		1	S,T,U,V,W,X,Y,Z
	3	GE20248-009A	BOTTOM COVER		1	D,E,F,G,H,I
	3	GE20248-008A	BOTTOM COVER		1	A,B,C
	3	GE20248-007A	BOTTOM COVER		1	D,E,F,G,H,I
	4	GE33325-003A	INSULATOR		1	J,K,L,M,N,O,P,Q,R,S,T,U,
	5	GE40395-002A	SIDE PANEL		1	V,W,X,Y,Z
	7	QYSDST2604ZA	TAP SCREW	M2.6 x 4mm	3	
	8	GE40377-002A	SCREW		3	
	9	GE40377-003A	SPECIAL SCREW		3	
	10	QYSDST2606ZA	TAP SCREW	M2.6 x 6mm	1	
	11	QYSDST2606ZA	TAP SCREW	M2.6 x 6mm	1	
	12	QYSDSF2606ZA	TAP SCREW	M2.6 x 6mm	1	
	14	GE40377-002A	SCREW		2	D,E,F,G,H,I,J,K,L,M,N,O,
	15	QYSDST2608ZA	TAP SCREW	M2.6 x 8mm	1	P,Q,R,S,T,U,V,W,X,Y,Z
	16	QYSDST2604ZA	TAP SCREW	M2.6 x 4mm	1	
	17	QYSDST2004ZA	TAP SCREW	M2 x 4mm	2	
	18	GE10242-012A	FRONT CHASSIS		1	
	19	GE33792-001A	LOCK LEVER		1	
	20	GE40368-002A	TORSION SPRING		1	
	21	GE32810-001A	RELEASE LEVER		1	
	22	GE30999-008A	COMP.SPRING		1	
	22	GE30999-004A	COMP.SPRING		1	A,B,C,D,E,F,G,H,I,J,K,L,M
	23	GE40432-001A	BLIND		1	N,O,Q,R,S,T,U,V,W,X,Y
	24	GE10268-002A	FRONT PANEL		1	P,Z
	24	GE10268-001A	FRONT PANEL		1	A,B,C,W,Y
	24	GE10268-003A	FRONT PANEL		1	D,E,F,G,H,I,P,Q,R,S,T,U,
	25	GE33795-001A	RIM LENS		1	V,X,Z
	26	GE33794-011A	FINDER ASSY		1	J,K,L,M,N,O
	26	GE33794-012A	FINDER ASSY		1	A,B
	26	GE33794-002A	FINDER ASSY		1	C
	26	GE33794-010A	FINDER ASSY		1	D,E,F
	26	GE33794-014A	FINDER ASSY		1	G,H,I
	26	GE33794-008A	FINDER ASSY		1	J
	26	GE33794-009A	FINDER ASSY		1	K,L,M,N,O
	26	GE33794-003A	FINDER ASSY		1	P,Q,R,S,T,U
	26	GE33794-001A	FINDER ASSY		1	V
	26	GE33794-007A	FINDER ASSY		1	W
	26	GE33794-020A	FINDER ASSY		1	X
	26	GE33794-022A	FINDER ASSY		1	Y
	27	GE33778-001A	EJECT BUTTON		1	Z
	28	GE33779-001A	DISP. BUTTON		1	
	29	GE33780-001A	SRC BUTTON		1	
	30	GE33781-001A	NAVI BUTTON		1	
	31	GE33782-001A	DETACH BUTTON		1	
	31	GE33782-002A	DETACH BUTTON		1	A,B,C,D,E,F,G,H,I,P,Q,R,
	32	GE30999-009A	COMP.SPRING		1	S,T,U,V,W,X,Y,Z
	33	GE33784-005A	BACK BUTTON		1	J,K,L,M,N,O
	33	GE33784-004A	BACK BUTTON		1	A,B,C,D,E,F,G,H,I,V
	35	GE33785-002A	VOL.KNOB		1	J,K,L,M,N,O,P,Q,R,S,T,U,
	35	GE33785-001A	VOL.KNOB		1	W,X,Y,Z
	36	GE40127-005A	KNOB SPRING		1	A,B,C,W,Y
	37	FSYH4036-069	SHEET		1	D,E,F,G,H,I,J,K,L,M,N,O,
	38	GE10269-002A	REAR COVER		1	P,Q,R,S,T,U,V,X,Z
	38	GE10269-003A	REAR COVER		1	
	39	VKZ4777-010	MINI SCREW		4	A,B,C,D,E,F,G,H,I,J,K,L,M
	40	GE33787-001A	LCD CASE		1	N,O,P,Q,R,S,T,U,V,W,X,
	41	GE33788-001A	LENS CASE		1	Y
	42	GE33789-001A	LCD LENS		1	Z
	43	GE40480-001A	LIGHTING SHEET		1	
	44	GE34003-002A	NAME PLATE		1	A,B
	44	GE33775-001A	NAME PLATE		1	C
	44	GE33825-002A	NAME PLATE		1	D,E,F

MODEL	MARK	MODEL	MARK	MODEL	MARK	MODEL	MARK
KD-R35E	A	KD-R35EY	B	KD-R38EE	C	KD-R411E	D
KD-R411EU	E	KD-R411EY	F	KD-R412E	G	KD-R412EU	H
KD-R412EY	I	KD-R414UI	J	KD-R415U	K	KD-R415UH	L
KD-R415UN	M	KD-R415UT	N	KD-R415UW	O	KD-R416SUN	P
KD-R416U	Q	KD-R416UH	R	KD-R416UN	S	KD-R416UT	T
KD-R416UW	U	KD-R417EE	V	KD-R418J	W	KD-R418UF	X
KD-R419UR	Y	KD-S27J	Z				

Safe	Symbol No.	Parts No.	Parts Name	Description	QTY	Local
	44	GE34000-002A	NAME PLATE		1	G,H,I
	44	GE33899-001A	NAME PLATE		1	J
	44	GE33822-001A	NAME PLATE		1	K,L,M,N,O
	44	GE34067-001A	NAME PLATE		1	P
	44	GE33896-001A	NAME PLATE		1	Q,R,S,T,U
	44	GE33828-001A	NAME PLATE		1	V
	44	GE33819-001A	NAME PLATE		1	W
	44	GE33902-001A	NAME PLATE		1	X
	44	GE34371-001A	NAME PLATE		1	Z
	45	GE40442-001A	FCC RULE LABEL		1	W,Z
	46	QLD0630-001	LCD MODULE		1	A,B,C,D,E,F,G,H,I,J,K,L,M,N,O,P,Q,R,S,T,U,V,W,X,Y,Z
	46	QLD0672-001	LCD MODULE		1	Z
	47	QNZ1002-001	RUBBER CONNE		1	
	48	QNZ1003-001	RUBBER CONNE		1	
△	49	QMFZ064-150-J1	FUSE	15A	1	
	50	GE40439-001A	POWER IC BKT		1	
	51	GE40308-001A	REGULATOR BKT		1	
	53	GE33440-001A	TOP SHEET		1	X
	54	GE40218-0A7A	SHEET		2	A,B,C,D,E,F,G,H,I,J,K,L,M,N,O,P,Q,R,S,T,U,V,W,X,Y
	55	GE33046-001A	USB RUBBER		1	
	56	GE33884-002A	UT LABEL		1	N
	56	GE33884-011A	UT LABEL		1	T
	57	GE40493-002A	SHEET		1	Z
	58	GE40539-001A	SPECIAL SCREW		1	Z
	59	GE40225-001A	CAR STEREO TAG		1	Z
	60	GE40282-001A	LABEL		1	Z

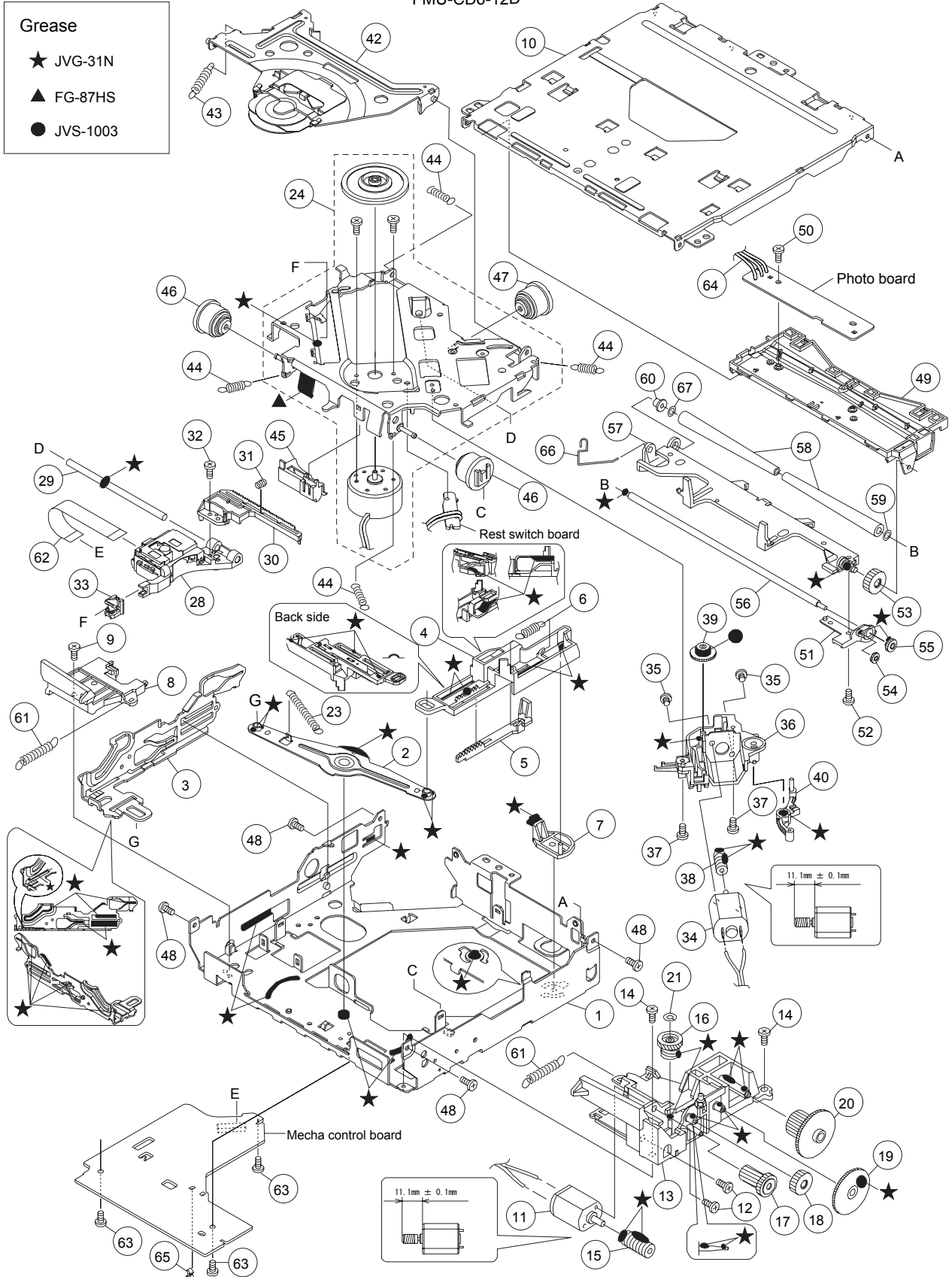
CD mechanism assembly

FMU-CD6-12D

Block No.MBMM

Grease

- ★ JVG-31N
- ▲ FG-87HS
- JVS-1003



The parts without symbol number are not service.

MODEL	MARK	MODEL	MARK	MODEL	MARK	MODEL	MARK
KD-R35E	A	KD-R35EY	B	KD-R38EE	C	KD-R411E	D
KD-R411EU	E	KD-R411EY	F	KD-R412E	G	KD-R412EU	H
KD-R412EY	I	KD-R414UI	J	KD-R415U	K	KD-R415UH	L
KD-R415UN	M	KD-R415UT	N	KD-R415UW	O	KD-R416SUN	P
KD-R416U	Q	KD-R416UH	R	KD-R416UN	S	KD-R416UT	T
KD-R416UW	U	KD-R417EE	V	KD-R418J	W	KD-R418UF	X
KD-R419UR	Y	KD-S27J	Z				

Safe	Symbol No.	Parts No.	Parts Name	Description	QTY	Local
			CD mechanism (FMU-CD6-12D) <MBMM>			
	1	LV11598-001A	MECHA FRAME		1	A,B,C,D,E,F,G,H,I,J,K,L,M .N,O,P,Q,R,S,T,U,V,W,X, Y,Z
	2	LV36800-002A	LINK ARM		1	A,B,C,D,E,F,G,H,I,J,K,L,M .N,O,P,Q,R,S,T,U,V,W,X, Y,Z
	3	LV22300-002A	SLIDE CAM (L)		1	A,B,C,D,E,F,G,H,I,J,K,L,M .N,O,P,Q,R,S,T,U,V,W,X, Y,Z
	4	LV22298-002A	SLIDE CAM(R)		1	A,B,C,D,E,F,G,H,I,J,K,L,M .N,O,P,Q,R,S,T,U,V,W,X, Y,Z
	5	LV36802-001A	LOAD RACK		1	A,B,C,D,E,F,G,H,I,J,K,L,M .N,O,P,Q,R,S,T,U,V,W,X, Y,Z
	6	LV44552-001A	RETURN SPRING		1	A,B,C,D,E,F,G,H,I,J,K,L,M .N,O,P,Q,R,S,T,U,V,W,X, Y,Z
	7	LV36803-002A	F LOCK LEVER		1	A,B,C,D,E,F,G,H,I,J,K,L,M .N,O,P,Q,R,S,T,U,V,W,X, Y,Z
	8	LV36804-002A	CAM COVER		1	A,B,C,D,E,F,G,H,I,J,K,L,M .N,O,P,Q,R,S,T,U,V,W,X, Y,Z
	9	VKZ4539-054	MINI SCREW		1	A,B,C,D,E,F,G,H,I,J,K,L,M .N,O,P,Q,R,S,T,U,V,W,X, Y,Z
	10	LV11260-003A	TOP COVER		1	A,B,C,D,E,F,G,H,I,J,K,L,M .N,O,P,Q,R,S,T,U,V,W,X, Y,Z
	11	QAR0373-002	MOTOR		1	A,B,C,D,E,F,G,H,I,J,K,L,M .N,O,P,Q,R,S,T,U,V,W,X, Y,Z
	12	QYSPSPT2025MA	SCREW	M2 x 2.5mm	2	A,B,C,D,E,F,G,H,I,J,K,L,M .N,O,P,Q,R,S,T,U,V,W,X, Y,Z
	13	LV36903-003A	L M BASE ASSY		1	A,B,C,D,E,F,G,H,I,J,K,L,M .N,O,P,Q,R,S,T,U,V,W,X, Y,Z
	14	VKZ4539-054	MINI SCREW		2	A,B,C,D,E,F,G,H,I,J,K,L,M .N,O,P,Q,R,S,T,U,V,W,X, Y,Z
	15	LV36806-001A	L WORM GEAR		1	A,B,C,D,E,F,G,H,I,J,K,L,M .N,O,P,Q,R,S,T,U,V,W,X, Y,Z
	16	LV36805-003A	M WHEEL GEAR		1	A,B,C,D,E,F,G,H,I,J,K,L,M .N,O,P,Q,R,S,T,U,V,W,X, Y,Z
	17	LV36807-001A	A WHEEL GEAR		1	A,B,C,D,E,F,G,H,I,J,K,L,M .N,O,P,Q,R,S,T,U,V,W,X, Y,Z
	18	LV36808-001A	R ACT GEAR(1)		1	A,B,C,D,E,F,G,H,I,J,K,L,M .N,O,P,Q,R,S,T,U,V,W,X, Y,Z
	19	LV36809-001A	LOAD ACT GEAR		1	A,B,C,D,E,F,G,H,I,J,K,L,M .N,O,P,Q,R,S,T,U,V,W,X, Y,Z
	20	LV36810-001A	LOADING GEAR		1	A,B,C,D,E,F,G,H,I,J,K,L,M .N,O,P,Q,R,S,T,U,V,W,X, Y,Z
	21	QYWDL1230250	SLIT WASHER	3mm/1.2mm x 0.25mm	1	A,B,C,D,E,F,G,H,I,J,K,L,M .N,O,P,Q,R,S,T,U,V,W,X, Y,Z

MODEL	MARK	MODEL	MARK	MODEL	MARK	MODEL	MARK
KD-R35E	A	KD-R35EY	B	KD-R38EE	C	KD-R411E	D
KD-R411EU	E	KD-R411EY	F	KD-R412E	G	KD-R412EU	H
KD-R412EY	I	KD-R414UI	J	KD-R415U	K	KD-R415UH	L
KD-R415UN	M	KD-R415UT	N	KD-R415UW	O	KD-R416SUN	P
KD-R416U	Q	KD-R416UH	R	KD-R416UN	S	KD-R416UT	T
KD-R416UW	U	KD-R417EE	V	KD-R418J	W	KD-R418UF	X
KD-R419UR	Y	KD-S27J	Z				

Safe	Symbol No.	Parts No.	Parts Name	Description	QTY	Local
	23	LV44658-001A	LINK SPRING		1	A,B,C,D,E,F,G,H,I,J,K,L,M .N,O,P,Q,R,S,T,U,V,W,X, Y,Z
	24	CM-FLMCD1D	SPINDLE MOTOR ASSY		1	A,B,C,D,E,F,G,H,I,J,K,L,M .N,O,P,Q,R,S,T,U,V,W,X, Y,Z
	28	QAL1226-001	PICK UP		1	A,B,C,D,E,F,G,H,I,J,K,L,M .N,O,P,Q,R,S,T,U,V,W,X, Y,Z
	29	LV44555-001A	MAIN SHAFT		1	A,B,C,D,E,F,G,H,I,J,K,L,M .N,O,P,Q,R,S,T,U,V,W,X, Y,Z
	30	LV36799-001A	RACK PLATE		1	A,B,C,D,E,F,G,H,I,J,K,L,M .N,O,P,Q,R,S,T,U,V,W,X, Y,Z
	31	LV45227-001A	RACK SPRING		1	A,B,C,D,E,F,G,H,I,J,K,L,M .N,O,P,Q,R,S,T,U,V,W,X, Y,Z
	32	QYSPSGT1745ZA	TAP SCREW	M1.7 x 4.5mm	1	A,B,C,D,E,F,G,H,I,J,K,L,M .N,O,P,Q,R,S,T,U,V,W,X, Y,Z
	33	LV36813-201A	SUB GUIDE CAP		1	A,B,C,D,E,F,G,H,I,J,K,L,M .N,O,P,Q,R,S,T,U,V,W,X, Y,Z
	34	QAR0144-003	MOTOR	2.0V DC	1	A,B,C,D,E,F,G,H,I,J,K,L,M .N,O,P,Q,R,S,T,U,V,W,X, Y,Z
	35	QYSPSPT2025MA	SCREW	M2 x 2.5mm	2	A,B,C,D,E,F,G,H,I,J,K,L,M .N,O,P,Q,R,S,T,U,V,W,X, Y,Z
	36	LV22296-001A	F MOTOR HOLDER		1	A,B,C,D,E,F,G,H,I,J,K,L,M .N,O,P,Q,R,S,T,U,V,W,X, Y,Z
	37	VKZ4539-054	MINI SCREW		2	A,B,C,D,E,F,G,H,I,J,K,L,M .N,O,P,Q,R,S,T,U,V,W,X, Y,Z
	38	LV36814-001A	F WORM GEAR		1	A,B,C,D,E,F,G,H,I,J,K,L,M .N,O,P,Q,R,S,T,U,V,W,X, Y,Z
	39	LV36815-002A	F WHEEL GEAR		1	A,B,C,D,E,F,G,H,I,J,K,L,M .N,O,P,Q,R,S,T,U,V,W,X, Y,Z
	40	LV36816-001A	TRIGGER ARM		1	A,B,C,D,E,F,G,H,I,J,K,L,M .N,O,P,Q,R,S,T,U,V,W,X, Y,Z
	42	LV38975-001A	CLAMPER ASSY		1	A,B,C,D,E,F,G,H,I,J,K,L,M .N,O,P,Q,R,S,T,U,V,W,X, Y,Z
	43	LV44557-002A	CLAMPER SPRING		1	A,B,C,D,E,F,G,H,I,J,K,L,M .N,O,P,Q,R,S,T,U,V,W,X, Y,Z
	44	LV44558-001A	SUS SPRING		4	A,B,C,D,E,F,G,H,I,J,K,L,M .N,O,P,Q,R,S,T,U,V,W,X, Y,Z
	45	LV36820-001A	WIRE HOLDER		1	A,B,C,D,E,F,G,H,I,J,K,L,M .N,O,P,Q,R,S,T,U,V,W,X, Y,Z
	46	LV36904-001A	DAMPER		2	A,B,C,D,E,F,G,H,I,J,K,L,M .N,O,P,Q,R,S,T,U,V,W,X, Y,Z
	47	LV37061-001A	DAMPER		1	A,B,C,D,E,F,G,H,I,J,K,L,M .N,O,P,Q,R,S,T,U,V,W,X, Y,Z
	48	VKZ4539-054	MINI SCREW		4	A,B,C,D,E,F,G,H,I,J,K,L,M .N,O,P,Q,R,S,T,U,V,W,X, Y,Z

MODEL	MARK	MODEL	MARK	MODEL	MARK	MODEL	MARK
KD-R35E	A	KD-R35EY	B	KD-R38EE	C	KD-R411E	D
KD-R411EU	E	KD-R411EY	F	KD-R412E	G	KD-R412EU	H
KD-R412EY	I	KD-R414UI	J	KD-R415U	K	KD-R415UH	L
KD-R415UN	M	KD-R415UT	N	KD-R415UW	O	KD-R416SUN	P
KD-R416U	Q	KD-R416UH	R	KD-R416UN	S	KD-R416UT	T
KD-R416UW	U	KD-R417EE	V	KD-R418J	W	KD-R418UF	X
KD-R419UR	Y	KD-S27J	Z				

Safe	Symbol No.	Parts No.	Parts Name	Description	QTY	Local
	49	LV11264-003A	DISC PLATE		1	A,B,C,D,E,F,G,H,I,J,K,L,M .N,O,P,Q,R,S,T,U,V,W,X, Y,Z
	50	LV44586-001A	SPECIAL SCREW		1	A,B,C,D,E,F,G,H,I,J,K,L,M .N,O,P,Q,R,S,T,U,V,W,X, Y,Z
	51	LV36801-002A	GEAR HOLDER		1	A,B,C,D,E,F,G,H,I,J,K,L,M .N,O,P,Q,R,S,T,U,V,W,X, Y,Z
	52	VKZ4539-054	MINI SCREW		1	A,B,C,D,E,F,G,H,I,J,K,L,M .N,O,P,Q,R,S,T,U,V,W,X, Y,Z
	53	LV36821-201A	R ACT GEAR(2)		1	A,B,C,D,E,F,G,H,I,J,K,L,M .N,O,P,Q,R,S,T,U,V,W,X, Y,Z
	54	LV36822-201A	R ACT GEAR(3)		1	A,B,C,D,E,F,G,H,I,J,K,L,M .N,O,P,Q,R,S,T,U,V,W,X, Y,Z
	55	LV36823-201A	ROLLER GEAR		1	A,B,C,D,E,F,G,H,I,J,K,L,M .N,O,P,Q,R,S,T,U,V,W,X, Y,Z
	56	LV44559-004A	ROLLER SHAFT		1	A,B,C,D,E,F,G,H,I,J,K,L,M .N,O,P,Q,R,S,T,U,V,W,X, Y,Z
	57	LV22744-001A	R HOLDER ASSY 2		1	A,B,C,D,E,F,G,H,I,J,K,L,M .N,O,P,Q,R,S,T,U,V,W,X, Y,Z
	58	LV44560-001A	ROLLER		2	A,B,C,D,E,F,G,H,I,J,K,L,M .N,O,P,Q,R,S,T,U,V,W,X, Y,Z
	59	LV44590-001A	WASHER		1	A,B,C,D,E,F,G,H,I,J,K,L,M .N,O,P,Q,R,S,T,U,V,W,X, Y,Z
	60	LV45268-001A	ROLLER COLLAR 2		1	A,B,C,D,E,F,G,H,I,J,K,L,M .N,O,P,Q,R,S,T,U,V,W,X, Y,Z
	61	LV44562-002A	ROLLER SPRING		2	A,B,C,D,E,F,G,H,I,J,K,L,M .N,O,P,Q,R,S,T,U,V,W,X, Y,Z
	62	QAL0817-003	FPC		1	A,B,C,D,E,F,G,H,I,J,K,L,M .N,O,P,Q,R,S,T,U,V,W,X, Y,Z
	63	VKZ4539-054	MINI SCREW		3	A,B,C,D,E,F,G,H,I,J,K,L,M .N,O,P,Q,R,S,T,U,V,W,X, Y,Z
	64	WJS0085-001A-E	E-FL/RB WIRE		1	A,B,C,D,E,F,G,H,I,J,K,L,M .N,O,P,Q,R,S,T,U,V,W,X, Y,Z
	65	LV34916-002A	WIRE CLAMP		1	A,B,C,D,E,F,G,H,I,J,K,L,M .N,O,P,Q,R,S,T,U,V,W,X, Y,Z
	66	LV45269-001A	R HOLDER ROD		1	A,B,C,D,E,F,G,H,I,J,K,L,M .N,O,P,Q,R,S,T,U,V,W,X, Y,Z
	67	LV45270-001A	WASHER 2		1	A,B,C,D,E,F,G,H,I,J,K,L,M .N,O,P,Q,R,S,T,U,V,W,X, Y,Z

Electrical parts list Main board R414UI,R415/R416U,UN,UT,UH,UW,R418J,R418UF<01>

△	IC1	TEF6606T/V5-X	IC		1	J,K,L,M,N,O,Q,R,S,T,U,W .X
	IC161	TDA7718N-X	IC		1	J,K,L,M,N,O,Q,R,S,T,U,W .X
△	IC301	TB2926CHQ	IC		1	J,K,L,M,N,O,Q,R,S,T,U,W .X
	IC381	NJM2160BV-X	IC		1	J,K,L,M,N,O,Q,R,S,T,U,X

MODEL	MARK	MODEL	MARK	MODEL	MARK	MODEL	MARK
KD-R35E	A	KD-R35EY	B	KD-R38EE	C	KD-R411E	D
KD-R411EU	E	KD-R411EY	F	KD-R412E	G	KD-R412EU	H
KD-R412EY	I	KD-R414UI	J	KD-R415U	K	KD-R415UH	L
KD-R415UN	M	KD-R415UT	N	KD-R415UW	O	KD-R416SUN	P
KD-R416U	Q	KD-R416UH	R	KD-R416UN	S	KD-R416UT	T
KD-R416UW	U	KD-R417EE	V	KD-R418J	W	KD-R418UF	X
KD-R419UR	Y	KD-S27J	Z				

Safe	Symbol No.	Parts No.	Parts Name	Description	QTY	Local
	IC581	NJM4565E-X	IC		1	J,K,L,M,N,O,Q,R,S,T,U,W,X
△	IC701	MN101E16KEK	IC(MCU)		1	J,K,L,M,N,O,Q,R,S,T,U,W,X
	IC702	S-80824CNNB-G-W	IC		1	J,K,L,M,N,O,Q,R,S,T,U,W,X
	IC702 or	IC-PST3424U-X	IC		1	J,K,L,M,N,O,Q,R,S,T,U,W,X
	IC771	R1EX24002ASAA-X	IC		1	J,K,L,M,N,O,Q,R,S,T,U,W,X
△	IC901	R2S25400DS-E	IC		1	J,K,L,M,N,O,Q,R,S,T,U,W,X
	IC951	XC6213B332NG-X	IC		1	J,K,L,M,N,O,Q,R,S,T,U,W,X
	Q331	IMX9-W	PAIR TRANSISTOR		1	J,K,L,M,N,O,Q,R,S,T,U,W,X
	Q701	RT1N141C-X	DIGI TRANSISTOR		1	J,K,L,M,N,O,Q,R,S,T,U,W,X
	Q701 or	UN2211-X	TRANSISTOR		1	J,K,L,M,N,O,Q,R,S,T,U,W,X
	Q781	RT1P141C-X	DIGI TRANSISTOR		1	J,K,L,M,N,O,Q,R,S,T,U,W,X
	Q781 or	UN2111-X	TRANSISTOR		1	J,K,L,M,N,O,Q,R,S,T,U,W,X
	Q782	2SC1623A/5-6/-X	TRANSISTOR		1	J,K,L,M,N,O,Q,R,S,T,U,W,X
	Q782 or	2SC3928A/QR/-X	TRANSISTOR		1	J,K,L,M,N,O,Q,R,S,T,U,W,X
	Q784	RT1P141C-X	DIGI TRANSISTOR		1	J,K,L,M,N,O,Q,R,S,T,U,W,X
	Q784 or	UN2111-X	TRANSISTOR		1	J,K,L,M,N,O,Q,R,S,T,U,W,X
	Q921	2SB1132/QR/-W	TRANSISTOR		1	J,K,L,M,N,O,Q,R,S,T,U,X
	Q922	RT1N141C-X	DIGI TRANSISTOR		1	J,K,L,M,N,O,Q,R,S,T,U,X
	Q922 or	UN2211-X	TRANSISTOR		1	J,K,L,M,N,O,Q,R,S,T,U,X
	Q976	RT1N141C-X	DIGI TRANSISTOR		1	J,K,L,M,N,O,Q,R,S,T,U,W,X
	Q976 or	UN2211-X	TRANSISTOR		1	J,K,L,M,N,O,Q,R,S,T,U,W,X
	Q977	2SA812A/5-6/-X	TRANSISTOR		1	J,K,L,M,N,O,Q,R,S,T,U,W,X
	Q977 or	ISA1530AC1/QR/X	TRANSISTOR		1	J,K,L,M,N,O,Q,R,S,T,U,W,X
	Q978	2SC1623A/5-6/-X	TRANSISTOR		1	J,K,L,M,N,O,Q,R,S,T,U,W,X
	Q978 or	2SC3928A/QR/-X	TRANSISTOR		1	J,K,L,M,N,O,Q,R,S,T,U,W,X
	D331	BAW56-TP-X	SI DIODE		1	J,K,L,M,N,O,Q,R,S,T,U,W,X
	D331 or	MC2836-X	DIODE		1	J,K,L,M,N,O,Q,R,S,T,U,W,X
	D712	HSU119-X	SI DIODE		1	J,K,L,M,N,O,Q,R,S,T,U,W,X
	D712 or	MA111-X	SI DIODE		1	J,K,L,M,N,O,Q,R,S,T,U,W,X
	D715	RKZ5.1B2KG-X	Z DIODE		1	J,K,L,M,N,O,Q,R,S,T,U,W,X
	D716	RKZ5.1B2KG-X	Z DIODE		1	J,K,L,M,N,O,Q,R,S,T,U,W,X

MODEL	MARK	MODEL	MARK	MODEL	MARK	MODEL	MARK
KD-R35E	A	KD-R35EY	B	KD-R38EE	C	KD-R411E	D
KD-R411EU	E	KD-R411EY	F	KD-R412E	G	KD-R412EU	H
KD-R412EY	I	KD-R414UI	J	KD-R415U	K	KD-R415UH	L
KD-R415UN	M	KD-R415UT	N	KD-R415UW	O	KD-R416SUN	P
KD-R416U	Q	KD-R416UH	R	KD-R416UN	S	KD-R416UT	T
KD-R416UW	U	KD-R417EE	V	KD-R418J	W	KD-R418UF	X
KD-R419UR	Y	KD-S27J	Z				

Safe	Symbol No.	Parts No.	Parts Name	Description	QTY	Local
	D717	RKZ5.1B2KG-X	Z DIODE		1	J,K,L,M,N,O,Q,R,S,T,U,W ,X
	D718	RKZ5.1B2KG-X	Z DIODE		1	J,K,L,M,N,O,Q,R,S,T,U,W ,X
	D781	HSU119-X	SI DIODE		1	J,K,L,M,N,O,Q,R,S,T,U,W ,X
	D781 or	MA111-X	SI DIODE		1	J,K,L,M,N,O,Q,R,S,T,U,W ,X
	D782	NRSA02J-0R0X	MG RESISTOR	0Ω 1/10W J	1	J,K,L,M,N,O,Q,R,S,T,U,W ,X
	D784	RKZ10B2KG-X	Z DIODE		1	J,K,L,M,N,O,Q,R,S,T,U,W ,X
	D784 or	MA8100/M-X	Z DIODE		1	J,K,L,M,N,O,Q,R,S,T,U,W ,X
	D851	MBRX130-TP-X	SB DIODE		1	J,K,L,M,N,O,Q,R,S,T,U,X
	D851 or	MA22D23-X	SB DIODE		1	J,K,L,M,N,O,Q,R,S,T,U,X
	D852	MBRX130-TP-X	SB DIODE		1	J,K,L,M,N,O,Q,R,S,T,U,X
	D852 or	MA22D23-X	SB DIODE		1	J,K,L,M,N,O,Q,R,S,T,U,X
	D901	1N5401-BPC04	SI DIODE		1	J,K,L,M,N,O,Q,R,S,T,U,W ,X
	D901 or	1N5401-04	SI DIODE		1	J,K,L,M,N,O,Q,R,S,T,U,W ,X
	D903	HSU119-X	SI DIODE		1	J,K,L,M,N,O,Q,R,S,T,U,W ,X
	D903 or	MA111-X	SI DIODE		1	J,K,L,M,N,O,Q,R,S,T,U,W ,X
	D971	MBRX130-TP-X	SB DIODE		1	J,K,L,M,N,O,Q,R,S,T,U,W ,X
	D971 or	MA22D23-X	SB DIODE		1	J,K,L,M,N,O,Q,R,S,T,U,W ,X
	D972	MBRX130-TP-X	SB DIODE		1	J,K,L,M,N,O,Q,R,S,T,U,W ,X
	D972 or	MA22D23-X	SB DIODE		1	J,K,L,M,N,O,Q,R,S,T,U,W ,X
	C1	NCB31HK-102X	C CAPACITOR	1000pF 50V K	1	J,K,L,M,N,O,Q,R,S,T,U,W ,X
	C2	NDC31HJ-7R0X	C CAPACITOR	7pF 50V J	1	J,K,L,M,N,O,Q,R,S,T,U,W ,X
	C3	NCB31HK-102X	C CAPACITOR	1000pF 50V K	1	J,K,L,M,N,O,Q,R,S,T,U,W ,X
	C4	NCB31CK-224X	C CAPACITOR	0.22uF 16V K	1	J,K,L,M,N,O,Q,R,S,T,U,W ,X
	C5	NDC31HJ-150X	C CAPACITOR	15pF 50V J	1	J,K,L,M,N,O,Q,R,S,T,U,W ,X
	C7	NDC31HJ-220X	C CAPACITOR	22pF 50V J	1	J,K,L,M,N,O,Q,R,S,T,U,W ,X
	C8	NCJ11EK-106X-A	C CAPACITOR	10uF 25V K	1	J,K,L,M,N,O,Q,R,S,T,U,W ,X
	C10	NCB21EK-105X	C CAPACITOR	1uF 25V K	1	J,K,L,M,N,O,Q,R,S,T,U,W ,X
	C11	NCB31HK-103X	C CAPACITOR	0.01uF 50V K	1	J,K,L,M,N,O,Q,R,S,T,U,W ,X
	C12	NCB31HK-103X	C CAPACITOR	0.01uF 50V K	1	J,K,L,M,N,O,Q,R,S,T,U,W ,X
	C13	NCB21EK-105X	C CAPACITOR	1uF 25V K	1	J,K,L,M,N,O,Q,R,S,T,U,W ,X
	C14	NCB31CK-224X	C CAPACITOR	0.22uF 16V K	1	J,K,L,M,N,O,Q,R,S,T,U,W ,X

MODEL	MARK	MODEL	MARK	MODEL	MARK	MODEL	MARK
KD-R35E	A	KD-R35EY	B	KD-R38EE	C	KD-R411E	D
KD-R411EU	E	KD-R411EY	F	KD-R412E	G	KD-R412EU	H
KD-R412EY	I	KD-R414UI	J	KD-R415U	K	KD-R415UH	L
KD-R415UN	M	KD-R415UT	N	KD-R415UW	O	KD-R416SUN	P
KD-R416U	Q	KD-R416UH	R	KD-R416UN	S	KD-R416UT	T
KD-R416UW	U	KD-R417EE	V	KD-R418J	W	KD-R418UF	X
KD-R419UR	Y	KD-S27J	Z				

Safe	Symbol No.	Parts No.	Parts Name	Description	QTY	Local
	C15	NCB31CK-104X	C CAPACITOR	0.1uF 16V K	1	J,K,L,M,N,O,Q,R,S,T,U,W ,X
	C16	NCB31HK-103X	C CAPACITOR	0.01uF 50V K	1	J,K,L,M,N,O,Q,R,S,T,U,W ,X
	C17	NCB31CK-104X	C CAPACITOR	0.1uF 16V K	1	J,K,L,M,N,O,Q,R,S,T,U,W ,X
	C18	NCB31HK-103X	C CAPACITOR	0.01uF 50V K	1	J,K,L,M,N,O,Q,R,S,T,U,W ,X
	C19	NCB31CK-104X	C CAPACITOR	0.1uF 16V K	1	J,K,L,M,N,O,Q,R,S,T,U,W ,X
	C22	NDC31HJ-120X	C CAPACITOR	12pF 50V J	1	J,K,L,M,N,O,Q,R,S,T,U,W ,X
	C23	NCB31CK-104X	C CAPACITOR	0.1uF 16V K	1	J,K,L,M,N,O,Q,R,S,T,U,W ,X
	C24	NCB31HK-103X	C CAPACITOR	0.01uF 50V K	1	J,K,L,M,N,O,Q,R,S,T,U,W ,X
	C25	NCB31HK-103X	C CAPACITOR	0.01uF 50V K	1	J,K,L,M,N,O,Q,R,S,T,U,W ,X
	C27	QEKJ1EM-106Z	E CAPACITOR	10uF 25V M	1	J,K,L,M,N,O,Q,R,S,T,U,W ,X
	C33	NDC31HJ-5R6X	C CAPACITOR	5.6pF 50V J	1	J,K,L,M,N,O,Q,R,S,T,U,W ,X
	C162	NCB31CK-105X	C CAPACITOR	1uF 16V K	1	J,K,L,M,N,O,Q,R,S,T,U,W ,X
	C163	QTE1H64-225Z	E CAPACITOR	2.2uF 50V	1	J,K,L,M,N,O,Q,R,S,T,U,W ,X
	C164	NCB31CK-105X	C CAPACITOR	1uF 16V K	1	J,K,L,M,N,O,Q,R,S,T,U,W ,X
	C165	NCB31CK-105X	C CAPACITOR	1uF 16V K	1	J,K,L,M,N,O,Q,R,S,T,U,W ,X
	C168	NCB31CK-105X	C CAPACITOR	1uF 16V K	1	J,K,L,M,N,O,Q,R,S,T,U,W ,X
	C172	NCB31CK-105X	C CAPACITOR	1uF 16V K	1	J,K,L,M,N,O,Q,R,S,T,U,W ,X
	C173	QTE1H64-225Z	E CAPACITOR	2.2uF 50V	1	J,K,L,M,N,O,Q,R,S,T,U,W ,X
	C174	NCB31CK-105X	C CAPACITOR	1uF 16V K	1	J,K,L,M,N,O,Q,R,S,T,U,W ,X
	C175	QTE1H57-335Z	E CAPACITOR	3.3uF 50V	1	J,K,L,M,N,O,Q,R,S,T,U,W ,X
	C176	QTE1H57-335Z	E CAPACITOR	3.3uF 50V	1	J,K,L,M,N,O,Q,R,S,T,U,W ,X
	C177	NDC31HJ-560X	C CAPACITOR	56pF 50V J	1	J,K,L,M,N,O,Q,R,S,T,U,W ,X
	C178	QTE1C57-106Z	E CAPACITOR	10uF 16V	1	J,K,L,M,N,O,Q,R,S,T,U,W ,X
	C184	NCB31CK-104X	C CAPACITOR	0.1uF 16V K	1	J,K,L,M,N,O,Q,R,S,T,U,W ,X
	C301	QTE1C66-474Z	E CAPACITOR	0.47uF 16V	1	J,K,L,M,N,O,Q,R,S,T,U,W ,X
	C302	QTE1C66-474Z	E CAPACITOR	0.47uF 16V	1	J,K,L,M,N,O,Q,R,S,T,U,W ,X
	C311	QTE1C66-474Z	E CAPACITOR	0.47uF 16V	1	J,K,L,M,N,O,Q,R,S,T,U,W ,X
	C312	QTE1C66-474Z	E CAPACITOR	0.47uF 16V	1	J,K,L,M,N,O,Q,R,S,T,U,W ,X
	C315	NCB31CK-105X	C CAPACITOR	1uF 16V K	1	J,K,L,M,N,O,Q,R,S,T,U,W ,X

MODEL	MARK	MODEL	MARK	MODEL	MARK	MODEL	MARK
KD-R35E	A	KD-R35EY	B	KD-R38EE	C	KD-R411E	D
KD-R411EU	E	KD-R411EY	F	KD-R412E	G	KD-R412EU	H
KD-R412EY	I	KD-R414UI	J	KD-R415U	K	KD-R415UH	L
KD-R415UN	M	KD-R415UT	N	KD-R415UW	O	KD-R416SUN	P
KD-R416U	Q	KD-R416UH	R	KD-R416UN	S	KD-R416UT	T
KD-R416UW	U	KD-R417EE	V	KD-R418J	W	KD-R418UF	X
KD-R419UR	Y	KD-S27J	Z				

Safe	Symbol No.	Parts No.	Parts Name	Description	QTY	Local
	C316	QEKJ1HM-475Z	E CAPACITOR	4.7uF 50V M	1	J,K,L,M,N,O,Q,R,S,T,U,W ,X
	C317	QTE1C57-226Z	E CAPACITOR	22uF 16V	1	J,K,L,M,N,O,Q,R,S,T,U,W ,X
	C326	QERF1CM-226Z-E	E CAPACITOR	22uF 16V M	1	J,K,L,M,N,O,Q,R,S,T,U,W ,X
	C327	NCB21AK-225X-A	C CAPACITOR	2.2uF 10V K	1	J,K,L,M,N,O,Q,R,S,T,U,W ,X
	C383	QEKJ1HM-475Z	E CAPACITOR	4.7uF 50V M	1	J,K,L,M,N,O,Q,R,S,T,U,X
	C384	QEKJ1HM-475Z	E CAPACITOR	4.7uF 50V M	1	J,K,L,M,N,O,Q,R,S,T,U,X
	C385	NCB31HK-104X	C CAPACITOR	0.1uF 50V K	1	J,K,L,M,N,O,Q,R,S,T,U,X
	C386	NCB31HK-104X	C CAPACITOR	0.1uF 50V K	1	J,K,L,M,N,O,Q,R,S,T,U,X
	C387	NCB31HK-152X	C CAPACITOR	1500pF 50V K	1	J,K,L,M,N,O,Q,R,S,T,U,X
	C388	NCB31HK-152X	C CAPACITOR	1500pF 50V K	1	J,K,L,M,N,O,Q,R,S,T,U,X
	C389	QEKJ1CM-107Z	E CAPACITOR	100uF 16V M	1	J,K,L,M,N,O,Q,R,S,T,U,X
	C390	QEKJ1CM-107Z	E CAPACITOR	100uF 16V M	1	J,K,L,M,N,O,Q,R,S,T,U,X
	C392	QEKJ1CM-106Z	E CAPACITOR	10uF 16V M	1	J,K,L,M,N,O,Q,R,S,T,U,X
	C393	QEKJ1HM-475Z	E CAPACITOR	4.7uF 50V M	1	J,K,L,M,N,O,Q,R,S,T,U,W ,X
	C394	QEKJ1HM-475Z	E CAPACITOR	4.7uF 50V M	1	J,K,L,M,N,O,Q,R,S,T,U,W ,X
	C583	NCB31HK-821X	C CAPACITOR	820pF 50V K	1	J,K,L,M,N,O,Q,R,S,T,U,W ,X
	C584	NCB31HK-821X	C CAPACITOR	820pF 50V K	1	J,K,L,M,N,O,Q,R,S,T,U,W ,X
	C585	QTE1H57-475Z	E CAPACITOR	4.7uF 50V	1	J,K,L,M,N,O,Q,R,S,T,U,W ,X
	C586	QTE1H57-475Z	E CAPACITOR	4.7uF 50V	1	J,K,L,M,N,O,Q,R,S,T,U,W ,X
	C587	NDC31HJ-151X	C CAPACITOR	150pF 50V J	1	J,K,L,M,N,O,Q,R,S,T,U,W ,X
	C588	NDC31HJ-151X	C CAPACITOR	150pF 50V J	1	J,K,L,M,N,O,Q,R,S,T,U,W ,X
	C590	QTE0J57-476Z	E CAPACITOR	47uF 6.3V	1	J,K,L,M,N,O,Q,R,S,T,U,W ,X
	C591	QTE1A57-107Z	E CAPACITOR	100uF 10V	1	J,K,L,M,N,O,Q,R,S,T,U,W ,X
	C592	NCB31HK-104X	C CAPACITOR	0.1uF 50V K	1	J,K,L,M,N,O,Q,R,S,T,U,W ,X
	C703	NDC31HJ-8R0X	C CAPACITOR	8pF 50V J	1	J,K,L,M,N,O,Q,R,S,T,U,W ,X
	C704	NDC31HJ-9R0X	C CAPACITOR	9pF 50V J	1	J,K,L,M,N,O,Q,R,S,T,U,W ,X
	C707	QEKJ1CM-107Z	E CAPACITOR	100uF 16V M	1	J,K,L,M,N,O,Q,R,S,T,U,W ,X
	C708	NCB31CK-104X	C CAPACITOR	0.1uF 16V K	1	J,K,L,M,N,O,Q,R,S,T,U,W ,X
	C709	NCB31CK-104X	C CAPACITOR	0.1uF 16V K	1	J,K,L,M,N,O,Q,R,S,T,U,W ,X
	C711	QEKJ0JM-476Z	E CAPACITOR	47uF 6.3V M	1	J,K,L,M,N,O,Q,R,S,T,U,W ,X
	C714	NCB31CK-104X	C CAPACITOR	0.1uF 16V K	1	J,K,L,M,N,O,Q,R,S,T,U,W ,X
	C715	NCB31CK-104X	C CAPACITOR	0.1uF 16V K	1	J,K,L,M,N,O,Q,R,S,T,U,W ,X
	C717	NCB31HK-821X	C CAPACITOR	820pF 50V K	1	J,K,L,M,N,O,Q,R,S,T,U,W ,X
	C718	NCB31CK-104X	C CAPACITOR	0.1uF 16V K	1	J,K,L,M,N,O,Q,R,S,T,U,W ,X
	C719	QERF1AM-107Z	E CAPACITOR	100uF 10V M	1	J,K,L,M,N,O,Q,R,S,T,U,W ,X

MODEL	MARK	MODEL	MARK	MODEL	MARK	MODEL	MARK
KD-R35E	A	KD-R35EY	B	KD-R38EE	C	KD-R411E	D
KD-R411EU	E	KD-R411EY	F	KD-R412E	G	KD-R412EU	H
KD-R412EY	I	KD-R414UI	J	KD-R415U	K	KD-R415UH	L
KD-R415UN	M	KD-R415UT	N	KD-R415UW	O	KD-R416SUN	P
KD-R416U	Q	KD-R416UH	R	KD-R416UN	S	KD-R416UT	T
KD-R416UW	U	KD-R417EE	V	KD-R418J	W	KD-R418UF	X
KD-R419UR	Y	KD-S27J	Z				

Safe	Symbol No.	Parts No.	Parts Name	Description	QTY	Local
	C720	NDC31HJ-820X	C CAPACITOR	82pF 50V J	1	J,K,L,M,N,O,Q,R,S,T,U,W ,X
	C721	NCB31CK-104X	C CAPACITOR	0.1uF 16V K	1	J,K,L,M,N,O,Q,R,S,T,U,W ,X
	C722	QERF1EM-475Z	E CAPACITOR	4.7uF 25V M	1	J,K,L,M,N,O,Q,R,S,T,U,W ,X
	C725	NCB31CK-105X	C CAPACITOR	1uF 16V K	1	J,K,L,M,N,O,Q,R,S,T,U,W ,X
	C733	NCJ11EK-106X-A	C CAPACITOR	10uF 25V K	1	J,K,L,M,N,O,Q,R,S,T,U,W ,X
	C736	NCB31CK-104X	C CAPACITOR	0.1uF 16V K	1	J,K,L,M,N,O,Q,R,S,T,U,W ,X
	C737	NDC31HJ-101X	C CAPACITOR	100pF 50V J	1	J,K,L,M,N,O,Q,R,S,T,U,W ,X
	C771	NCB31CK-473X	C CAPACITOR	0.047uF 16V K	1	J,K,L,M,N,O,Q,R,S,T,U,W ,X
	C781	QEKJ0JM-107Z	E CAPACITOR	100uF 6.3V M	1	J,K,L,M,N,O,Q,R,S,T,U,W ,X
	C784	QERF1CM-107Z	E CAPACITOR	100uF 16V M	1	J,K,L,M,N,O,Q,R,S,T,U,W ,X
	C851	QEKJ1EM-106Z	E CAPACITOR	10uF 25V M	1	J,K,L,M,N,O,Q,R,S,T,U,X
	C852	NCB31CK-224X	C CAPACITOR	0.22uF 16V K	1	J,K,L,M,N,O,Q,R,S,T,U,X
	C901	QEZ0870-278	E CAPACITOR	2700uF	1	J,K,L,M,N,O,Q,R,S,T,U,W ,X
	C902	NCB31AK-474X	C CAPACITOR	0.47uF 10V K	1	J,K,L,M,N,O,Q,R,S,T,U,W ,X
	C903	QEKJ1CM-107Z	E CAPACITOR	100uF 16V M	1	J,K,L,M,N,O,Q,R,S,T,U,W ,X
	C904	QERF1AM-227Z	E CAPACITOR	220uF 10V M	1	J,K,L,M,N,O,Q,R,S,T,U,W ,X
	C905	QEKJ1CM-476Z	E CAPACITOR	47uF 16V M	1	J,K,L,M,N,O,Q,R,S,T,U,W ,X
	C906	NCB31HK-103X	C CAPACITOR	0.01uF 50V K	1	J,K,L,M,N,O,Q,R,S,T,U,W ,X
	C907	QEKJ1CM-107Z	E CAPACITOR	100uF 16V M	1	J,K,L,M,N,O,Q,R,S,T,U,W ,X
	C908	QEKJ1CM-476Z	E CAPACITOR	47uF 16V M	1	J,K,L,M,N,O,Q,R,S,T,U,W ,X
	C910	QEKJ1EM-106Z	E CAPACITOR	10uF 25V M	1	J,K,L,M,N,O,Q,R,S,T,U,W ,X
	C912	NCB31HK-103X	C CAPACITOR	0.01uF 50V K	1	J,K,L,M,N,O,Q,R,S,T,U,W ,X
	C913	QEKJ1EM-106Z	E CAPACITOR	10uF 25V M	1	J,K,L,M,N,O,Q,R,S,T,U,W ,X
	C915	NCB31CK-104X	C CAPACITOR	0.1uF 16V K	1	J,K,L,M,N,O,Q,R,S,T,U,W ,X
	C917	QERF0JM-337Z	E CAPACITOR	330uF 6.3V M	1	J,K,L,M,N,O,Q,R,S,T,U,W ,X
	C951	NCB31CK-104X	C CAPACITOR	0.1uF 16V K	1	J,K,L,M,N,O,Q,R,S,T,U,W ,X
	C952	NCB31CK-104X	C CAPACITOR	0.1uF 16V K	1	J,K,L,M,N,O,Q,R,S,T,U,W ,X
	C971	NCB31HK-104X	C CAPACITOR	0.1uF 50V K	1	J,K,L,M,N,O,Q,R,S,T,U,W ,X
	C991	NCB31HK-472X	C CAPACITOR	4700pF 50V K	1	J,K,L,M,N,O,Q,R,S,T,U,W ,X
	R1	NRSA63J-474X	MG RESISTOR	470kΩ 1/16W J	1	J,K,L,M,N,O,Q,R,S,T,U,W ,X

MODEL	MARK	MODEL	MARK	MODEL	MARK	MODEL	MARK
KD-R35E	A	KD-R35EY	B	KD-R38EE	C	KD-R411E	D
KD-R411EU	E	KD-R411EY	F	KD-R412E	G	KD-R412EU	H
KD-R412EY	I	KD-R414UI	J	KD-R415U	K	KD-R415UH	L
KD-R415UN	M	KD-R415UT	N	KD-R415UW	O	KD-R416SUN	P
KD-R416U	Q	KD-R416UH	R	KD-R416UN	S	KD-R416UT	T
KD-R416UW	U	KD-R417EE	V	KD-R418J	W	KD-R418UF	X
KD-R419UR	Y	KD-S27J	Z				

Safe	Symbol No.	Parts No.	Parts Name	Description	QTY	Local
	R2	NRSA63J-474X	MG RESISTOR	470kΩ 1/16W J	1	J,K,L,M,N,O,Q,R,S,T,U,W ,X
	R3	NRSA63J-101X	MG RESISTOR	100Ω 1/16W J	1	J,K,L,M,N,O,Q,R,S,T,U,W ,X
	R4	NRSA63J-472X	MG RESISTOR	4.7kΩ 1/16W J	1	J,K,L,M,N,O,Q,R,S,T,U,W ,X
	R5	NRSA02J-470X	MG RESISTOR	47Ω 1/10W J	1	J,K,L,M,N,O,Q,R,S,T,U,W ,X
	R6	NRSA63J-0R0X	MG RESISTOR	0Ω 1/10W J	1	J,K,L,M,N,O,Q,R,S,T,U,W ,X
	R7	NRSA63J-0R0X	MG RESISTOR	0Ω 1/10W J	1	J,K,L,M,N,O,Q,R,S,T,U,W ,X
	R8	NRSA02J-470X	MG RESISTOR	47Ω 1/10W J	1	J,K,L,M,N,O,Q,R,S,T,U,W ,X
	R11	NRS181J-4R7X	MG RESISTOR	4.7Ω 1/8W J	1	J,K,L,M,N,O,Q,R,S,T,U,W ,X
	R14	NRSA63J-472X	MG RESISTOR	4.7kΩ 1/16W J	1	J,K,L,M,N,O,Q,R,S,T,U,W ,X
	R15	NRS181J-472X	MG RESISTOR	4.7kΩ 1/8W J	1	J,K,L,M,N,O,Q,R,S,T,U,W ,X
	R161	NRSA63J-472X	MG RESISTOR	4.7kΩ 1/16W J	1	J,K,L,M,N,O,Q,R,S,T,U,W ,X
	R162	NRSA63J-472X	MG RESISTOR	4.7kΩ 1/16W J	1	J,K,L,M,N,O,Q,R,S,T,U,W ,X
	R163	NRSA63J-123X	MG RESISTOR	12kΩ 1/16W J	1	J,K,L,M,N,O,Q,R,S,T,U,W ,X
	R164	NRSA63J-222X	MG RESISTOR	2.2kΩ 1/16W J	1	J,K,L,M,N,O,Q,R,S,T,U,W ,X
	R165	NRSA63J-123X	MG RESISTOR	12kΩ 1/16W J	1	J,K,L,M,N,O,Q,R,S,T,U,W ,X
	R168	NRS181J-103X	MG RESISTOR	10kΩ 1/8W J	1	J,K,L,M,N,O,Q,R,S,T,U,W ,X
	R169	NRSA63J-0R0X	MG RESISTOR	0Ω 1/10W J	1	J,K,L,M,N,O,Q,R,S,T,U,W ,X
	R171	NRSA63J-101X	MG RESISTOR	100Ω 1/16W J	1	J,K,L,M,N,O,Q,R,S,T,U,W ,X
	R172	NRSA63J-101X	MG RESISTOR	100Ω 1/16W J	1	J,K,L,M,N,O,Q,R,S,T,U,W ,X
	R305	NRSA63J-102X	MG RESISTOR	1kΩ 1/16W J	1	J,K,L,M,N,O,Q,R,S,T,U,W ,X
	R309	NRS181J-100X	MG RESISTOR	10Ω 1/8W J	1	J,K,L,M,N,O,Q,R,S,T,U,W ,X
	R310	NRSA63J-472X	MG RESISTOR	4.7kΩ 1/16W J	1	J,K,L,M,N,O,Q,R,S,T,U,W ,X
	R341	NRSA63J-222X	MG RESISTOR	2.2kΩ 1/16W J	1	J,K,L,M,N,O,Q,R,S,T,U,W ,X
	R342	NRSA63J-821X	MG RESISTOR	820Ω 1/16W J	1	J,K,L,M,N,O,Q,R,S,T,U,W ,X
	R343	NRSA63J-101X	MG RESISTOR	100Ω 1/16W J	1	J,K,L,M,N,O,Q,R,S,T,U,W ,X
	R344	NRSA63J-473X	MG RESISTOR	47kΩ 1/16W J	1	J,K,L,M,N,O,Q,R,S,T,U,W ,X
	R351	NRSA63J-222X	MG RESISTOR	2.2kΩ 1/16W J	1	J,K,L,M,N,O,Q,R,S,T,U,W ,X
	R352	NRSA63J-821X	MG RESISTOR	820Ω 1/16W J	1	J,K,L,M,N,O,Q,R,S,T,U,W ,X
	R353	NRSA63J-101X	MG RESISTOR	100Ω 1/16W J	1	J,K,L,M,N,O,Q,R,S,T,U,W ,X

MODEL	MARK	MODEL	MARK	MODEL	MARK	MODEL	MARK
KD-R35E	A	KD-R35EY	B	KD-R38EE	C	KD-R411E	D
KD-R411EU	E	KD-R411EY	F	KD-R412E	G	KD-R412EU	H
KD-R412EY	I	KD-R414UI	J	KD-R415U	K	KD-R415UH	L
KD-R415UN	M	KD-R415UT	N	KD-R415UW	O	KD-R416SUN	P
KD-R416U	Q	KD-R416UH	R	KD-R416UN	S	KD-R416UT	T
KD-R416UW	U	KD-R417EE	V	KD-R418J	W	KD-R418UF	X
KD-R419UR	Y	KD-S27J	Z				

Safe	Symbol No.	Parts No.	Parts Name	Description	QTY	Local
	R354	NRSA63J-473X	MG RESISTOR	47kΩ 1/16W J	1	J,K,L,M,N,O,Q,R,S,T,U,W ,X
	R381	NRSA63J-102X	MG RESISTOR	1kΩ 1/16W J	1	J,K,L,M,N,O,Q,R,S,T,U,X
	R382	NRSA63J-102X	MG RESISTOR	1kΩ 1/16W J	1	J,K,L,M,N,O,Q,R,S,T,U,X
	R383	NRSA63J-104X	MG RESISTOR	100kΩ 1/16W J	1	J,K,L,M,N,O,Q,R,S,T,U,X
	R384	NRSA63J-104X	MG RESISTOR	100kΩ 1/16W J	1	J,K,L,M,N,O,Q,R,S,T,U,X
	R385	NRSA63J-223X	MG RESISTOR	22kΩ 1/16W J	1	J,K,L,M,N,O,Q,R,S,T,U,X
	R386	NRS181J-223X	MG RESISTOR	22kΩ 1/8W J	1	J,K,L,M,N,O,Q,R,S,T,U,X
	R387	NRSA63J-333X	MG RESISTOR	33kΩ 1/16W J	1	J,K,L,M,N,O,Q,R,S,T,U,X
	R388	NRSA63J-333X	MG RESISTOR	33kΩ 1/16W J	1	J,K,L,M,N,O,Q,R,S,T,U,X
	R389	NRSA63J-0R0X	MG RESISTOR	0Ω 1/10W J	1	W
	R390	NRSA63J-0R0X	MG RESISTOR	0Ω 1/10W J	1	W
	R583	NRSA63J-153X	MG RESISTOR	15kΩ 1/16W J	1	J,K,L,M,N,O,Q,R,S,T,U,W ,X
	R584	NRSA63J-153X	MG RESISTOR	15kΩ 1/16W J	1	J,K,L,M,N,O,Q,R,S,T,U,W ,X
	R585	NRSA63J-562X	MG RESISTOR	5.6kΩ 1/16W J	1	J,K,L,M,N,O,Q,R,S,T,U,W ,X
	R586	NRSA63J-562X	MG RESISTOR	5.6kΩ 1/16W J	1	J,K,L,M,N,O,Q,R,S,T,U,W ,X
	R587	NRSA63J-273X	MG RESISTOR	27kΩ 1/16W J	1	J,K,L,M,N,O,Q,R,S,T,U,W ,X
	R588	NRSA63J-273X	MG RESISTOR	27kΩ 1/16W J	1	J,K,L,M,N,O,Q,R,S,T,U,W ,X
	R591	NRSA63J-103X	MG RESISTOR	10kΩ 1/16W J	1	J,K,L,M,N,O,Q,R,S,T,U,W ,X
	R592	NRSA63J-103X	MG RESISTOR	10kΩ 1/16W J	1	J,K,L,M,N,O,Q,R,S,T,U,W ,X
	R593	NRS181J-223X	MG RESISTOR	22kΩ 1/8W J	1	J,K,L,M,N,O,Q,R,S,T,U,W ,X
	R594	NRSA63J-223X	MG RESISTOR	22kΩ 1/16W J	1	J,K,L,M,N,O,Q,R,S,T,U,W ,X
	R701	NRSA63J-103X	MG RESISTOR	10kΩ 1/16W J	1	J,K,L,M,N,O,Q,R,S,T,U,W ,X
	R702	NRSA63J-103X	MG RESISTOR	10kΩ 1/16W J	1	J,K,L,M,N,O,Q,R,S,T,U,W ,X
	R703	NRSA63J-104X	MG RESISTOR	100kΩ 1/16W J	1	J,K,L,M,N,O,Q,R,S,T,U,W ,X
	R704	NRSA63J-104X	MG RESISTOR	100kΩ 1/16W J	1	J,K,L,M,N,O,Q,R,S,T,U,W ,X
	R707	NRSA63J-473X	MG RESISTOR	47kΩ 1/16W J	1	J,K,L,M,N,O,Q,R,S,T,U,W ,X
	R708	NRSA63J-104X	MG RESISTOR	100kΩ 1/16W J	1	J,K,L,M,N,O,Q,R,S,T,U,W ,X
	R710	NRSA63J-104X	MG RESISTOR	100kΩ 1/16W J	1	J,K,L,M,N,O,Q,R,S,T,U,X
	R711	NRSA63J-473X	MG RESISTOR	47kΩ 1/16W J	1	W
	R713	NRSA63J-473X	MG RESISTOR	47kΩ 1/16W J	1	J,K,L,M,N,O,Q,R,S,T,U,W ,X
	R715	NRSA63J-331X	MG RESISTOR	330Ω 1/16W J	1	J,K,L,M,N,O,Q,R,S,T,U,W ,X
	R716	NRSA63J-471X	MG RESISTOR	470Ω 1/16W J	1	J,K,L,M,N,O,Q,R,S,T,U,W ,X
	R720	NRSA63J-102X	MG RESISTOR	1kΩ 1/16W J	1	J,K,L,M,N,O,Q,R,S,T,U,W ,X
	R724	NRSA63J-102X	MG RESISTOR	1kΩ 1/16W J	1	J,K,L,M,N,O,Q,R,S,T,U,W ,X
	R725	NRSA63J-102X	MG RESISTOR	1kΩ 1/16W J	1	J,K,L,M,N,O,Q,R,S,T,U,W ,X
	R726	NRSA63J-273X	MG RESISTOR	27kΩ 1/16W J	1	J,K,L,M,N,O,Q,R,S,T,U,W ,X
	R727	NRSA63J-122X	MG RESISTOR	1.2kΩ 1/16W J	1	J,K,L,M,N,O,Q,R,S,T,U,W ,X

MODEL	MARK	MODEL	MARK	MODEL	MARK	MODEL	MARK
KD-R35E	A	KD-R35EY	B	KD-R38EE	C	KD-R411E	D
KD-R411EU	E	KD-R411EY	F	KD-R412E	G	KD-R412EU	H
KD-R412EY	I	KD-R414UI	J	KD-R415U	K	KD-R415UH	L
KD-R415UN	M	KD-R415UT	N	KD-R415UW	O	KD-R416SUN	P
KD-R416U	Q	KD-R416UH	R	KD-R416UN	S	KD-R416UT	T
KD-R416UW	U	KD-R417EE	V	KD-R418J	W	KD-R418UF	X
KD-R419UR	Y	KD-S27J	Z				

Safe	Symbol No.	Parts No.	Parts Name	Description	QTY	Local
	R728	NRSA63J-102X	MG RESISTOR	1kΩ 1/16W J	1	J,K,L,M,N,O,Q,R,S,T,U,W ,X
	R730	NRSA63J-102X	MG RESISTOR	1kΩ 1/16W J	1	J,K,L,M,N,O,Q,R,S,T,U,W ,X
	R731	NRSA63J-101X	MG RESISTOR	100Ω 1/16W J	1	J,K,L,M,N,O,Q,R,S,T,U,W ,X
	R732	NRSA63J-473X	MG RESISTOR	47kΩ 1/16W J	1	J,K,L,M,N,O,Q,R,S,T,U,W ,X
	R733	NRSA63J-473X	MG RESISTOR	47kΩ 1/16W J	1	J,K,L,M,N,O,Q,R,S,T,U,W ,X
	R736	NRSA63J-561X	MG RESISTOR	560Ω 1/16W J	1	J,K,L,M,N,O,Q,R,S,T,U,W ,X
	R737	NRSA63J-561X	MG RESISTOR	560Ω 1/16W J	1	J,K,L,M,N,O,Q,R,S,T,U,W ,X
	R738	NRSA63J-561X	MG RESISTOR	560Ω 1/16W J	1	J,K,L,M,N,O,Q,R,S,T,U,W ,X
	R739	NRSA63J-101X	MG RESISTOR	100Ω 1/16W J	1	J,K,L,M,N,O,Q,R,S,T,U,W ,X
	R741	NRSA63J-101X	MG RESISTOR	100Ω 1/16W J	1	J,K,L,M,N,O,Q,R,S,T,U,W ,X
	R742	NRSA63J-101X	MG RESISTOR	100Ω 1/16W J	1	J,K,L,M,N,O,Q,R,S,T,U,W ,X
	R744	NRS181J-101X	MG RESISTOR	100Ω 1/8W J	1	J,K,L,M,N,O,Q,R,S,T,U,W ,X
	R746	NRSA63J-104X	MG RESISTOR	100kΩ 1/16W J	1	J,K,L,M,N,O,Q,R,S,T,U,W ,X
	R747	NRSA63J-103X	MG RESISTOR	10kΩ 1/16W J	1	J,K,L,M,N,O,Q,R,S,T,U,W ,X
	R748	NRSA63J-122X	MG RESISTOR	1.2kΩ 1/16W J	1	J,K,L,M,N,O,Q,R,S,T,U,W ,X
	R749	NRSA63J-102X	MG RESISTOR	1kΩ 1/16W J	1	J,K,L,M,N,O,Q,R,S,T,U,W ,X
	R750	NRSA63J-104X	MG RESISTOR	100kΩ 1/16W J	1	J,K,L,M,N,O,Q,R,S,T,U,W ,X
	R752	NRSA63J-472X	MG RESISTOR	4.7kΩ 1/16W J	1	J,K,L,M,N,O,Q,R,S,T,U,W ,X
	R753	NRSA63J-472X	MG RESISTOR	4.7kΩ 1/16W J	1	J,K,L,M,N,O,Q,R,S,T,U,W ,X
	R755	NRSA63J-472X	MG RESISTOR	4.7kΩ 1/16W J	1	J,K,L,M,N,O,Q,R,S,T,U,W ,X
	R756	NRSA63J-472X	MG RESISTOR	4.7kΩ 1/16W J	1	J,K,L,M,N,O,Q,R,S,T,U,W ,X
	R758	NRSA63J-473X	MG RESISTOR	47kΩ 1/16W J	1	J,K,L,M,N,O,Q,R,S,T,U,W ,X
	R759	NRSA63J-0R0X	MG RESISTOR	0Ω 1/10W J	1	J,K,L,M,N,O,Q,R,S,T,U,W ,X
	R761	NRSA63J-102X	MG RESISTOR	1kΩ 1/16W J	1	J,K,L,M,N,O,Q,R,S,T,U,W ,X
	R762	NRSA63J-102X	MG RESISTOR	1kΩ 1/16W J	1	J,K,L,M,N,O,Q,R,S,T,U,W ,X
	R763	NRSA63J-823X	MG RESISTOR	82kΩ 1/16W J	1	J,K,L,M,N,O,Q,R,S,T,U,W ,X
	R765	NRSA63J-472X	MG RESISTOR	4.7kΩ 1/16W J	1	J,K,L,M,N,O,Q,R,S,T,U,W ,X
	R766	NRSA63J-472X	MG RESISTOR	4.7kΩ 1/16W J	1	J,K,L,M,N,O,Q,R,S,T,U,W ,X
	R767	NRSA63J-473X	MG RESISTOR	47kΩ 1/16W J	1	J,K,L,M,N,O,Q,R,S,T,U,W ,X

MODEL	MARK	MODEL	MARK	MODEL	MARK	MODEL	MARK
KD-R35E	A	KD-R35EY	B	KD-R38EE	C	KD-R411E	D
KD-R411EU	E	KD-R411EY	F	KD-R412E	G	KD-R412EU	H
KD-R412EY	I	KD-R414UI	J	KD-R415U	K	KD-R415UH	L
KD-R415UN	M	KD-R415UT	N	KD-R415UW	O	KD-R416SUN	P
KD-R416U	Q	KD-R416UH	R	KD-R416UN	S	KD-R416UT	T
KD-R416UW	U	KD-R417EE	V	KD-R418J	W	KD-R418UF	X
KD-R419UR	Y	KD-S27J	Z				

Safe	Symbol No.	Parts No.	Parts Name	Description	QTY	Local
	R771	NRSA63J-271X	MG RESISTOR	270Ω 1/16W J	1	J,K,L,M,N,O,Q,R,S,T,U,W ,X
	R772	NRSA63J-271X	MG RESISTOR	270Ω 1/16W J	1	J,K,L,M,N,O,Q,R,S,T,U,W ,X
	R774	NRSA63J-473X	MG RESISTOR	47kΩ 1/16W J	1	J,K,L,M,N,O,Q,R,S,T,U,W ,X
	R775	NRSA63J-222X	MG RESISTOR	2.2kΩ 1/16W J	1	J,K,L,M,N,O,Q,R,S,T,U,W ,X
	R777	NRSA63J-103X	MG RESISTOR	10kΩ 1/16W J	1	J,K,L,M,N,O,Q,R,S,T,U,W ,X
	R779	NRSA63J-101X	MG RESISTOR	100Ω 1/16W J	1	J,K,L,M,N,O,Q,R,S,T,U,W ,X
	R781	NRS181J-473X	MG RESISTOR	47kΩ 1/8W J	1	J,K,L,M,N,O,Q,R,S,T,U,W ,X
	R782	NRSA63J-472X	MG RESISTOR	4.7kΩ 1/16W J	1	J,K,L,M,N,O,Q,R,S,T,U,W ,X
	R783	NRSA63J-103X	MG RESISTOR	10kΩ 1/16W J	1	J,K,L,M,N,O,Q,R,S,T,U,W ,X
	R784	NRSA63J-103X	MG RESISTOR	10kΩ 1/16W J	1	J,K,L,M,N,O,Q,R,S,T,U,W ,X
	R851	NRSA63J-472X	MG RESISTOR	4.7kΩ 1/16W J	1	J,K,L,M,N,O,Q,R,S,T,U,X
	R901	QRE141J-103Y	C RESISTOR	10kΩ 1/4W J	1	J,K,L,M,N,O,Q,R,S,T,U,W ,X
	R902	NRSA02J-0R0X	MG RESISTOR	0Ω 1/10W J	1	J,K,L,M,N,O,Q,R,S,T,U,W ,X
	R903	NRSA02J-472X	MG RESISTOR	4.7kΩ 1/10W J	1	J,K,L,M,N,O,Q,R,S,T,U,W ,X
	R921	NRSA63J-473X	MG RESISTOR	47kΩ 1/16W J	1	J,K,L,M,N,O,Q,R,S,T,U,X
	R922	QRE141J-102Y	C RESISTOR	1kΩ 1/4W J	1	J,K,L,M,N,O,Q,R,S,T,U,X
	R930	NRSA63J-103X	MG RESISTOR	10kΩ 1/16W J	1	J,K,L,M,N,O,Q,R,S,T,U,W ,X
	R952	NRSA63J-0R0X	MG RESISTOR	0Ω 1/10W J	1	J,K,L,M,N,O,Q,R,S,T,U,X
	R971	NRS181J-332X	MG RESISTOR	3.3kΩ 1/8W J	1	J,K,L,M,N,O,Q,R,S,T,U,W ,X
	R976	NRSA02J-273X	MG RESISTOR	27kΩ 1/10W J	1	J,K,L,M,N,O,Q,R,S,T,U,W ,X
	R977	NRSA02J-123X	MG RESISTOR	12kΩ 1/10W J	1	J,K,L,M,N,O,Q,R,S,T,U,W ,X
	L1	NQL093K-R47X	P COIL	0.47uH K	1	J,K,L,M,N,O,Q,R,S,T,U,W ,X
	L2	NQL093K-1R8X	P COIL	1.8uH K	1	J,K,L,M,N,O,Q,R,S,T,U,W ,X
	L3	NQL093K-R22X	P COIL	0.22uH K	1	J,K,L,M,N,O,Q,R,S,T,U,W ,X
	L4	QQR1872-001	RF COIL		1	J,K,L,M,N,O,Q,R,S,T,U,W ,X
	L5	QQL244J-561Z	COIL	560uH J	1	J,K,L,M,N,O,Q,R,S,T,U,W ,X
	L6	QQL244J-561Z	COIL	560uH J	1	J,K,L,M,N,O,Q,R,S,T,U,W ,X
	L8	QQL231K-4R7Y	INDUCTOR	4.7uH K	1	J,K,L,M,N,O,Q,R,S,T,U,W ,X
	L9	QQL231K-4R7Y	INDUCTOR	4.7uH K	1	J,K,L,M,N,O,Q,R,S,T,U,W ,X
	L31	NQL093K-R47X	P COIL	0.47uH K	1	J,K,L,M,N,O,Q,R,S,T,U,W ,X
	L701	QQL231K-4R7Y	INDUCTOR	4.7uH K	1	J,K,L,M,N,O,Q,R,S,T,U,W ,X

MODEL	MARK	MODEL	MARK	MODEL	MARK	MODEL	MARK
KD-R35E	A	KD-R35EY	B	KD-R38EE	C	KD-R411E	D
KD-R411EU	E	KD-R411EY	F	KD-R412E	G	KD-R412EU	H
KD-R412EY	I	KD-R414UI	J	KD-R415U	K	KD-R415UH	L
KD-R415UN	M	KD-R415UT	N	KD-R415UW	O	KD-R416SUN	P
KD-R416U	Q	KD-R416UH	R	KD-R416UN	S	KD-R416UT	T
KD-R416UW	U	KD-R417EE	V	KD-R418J	W	KD-R418UF	X
KD-R419UR	Y	KD-S27J	Z				

Safe	Symbol No.	Parts No.	Parts Name	Description	QTY	Local
	L702	QQL231K-4R7Y	INDUCTOR	4.7uH K	1	J,K,L,M,N,O,Q,R,S,T,U,W ,X
△	L901	QQR1852-001	CHOKO COIL		1	J,K,L,M,N,O,Q,R,S,T,U,W ,X
△	L901 or	QQR0703-001	CHOKO COIL		1	J,K,L,M,N,O,Q,R,S,T,U,W ,X
	L930	NQLH25M-4R7X	COIL	4.7uH M	1	J,K,L,M,N,O,Q,R,S,T,U,W ,X
	CN501	QGB2027ME-28	CONNECTOR	B-B (1-28)	1	J,K,L,M,N,O,Q,R,S,T,U,W ,X
	CN701	QGZ1101J1-20	CONNECTOR	(1-20)	1	J,K,L,M,N,O,Q,R,S,T,U,W ,X
	CN901	QNZ0607-001	CAR CONNECTOR		1	J,K,L,M,N,O,Q,R,S,T,U,W ,X
	J1	QNB0190-001	ANT TERMINAL		1	J,K,L,M,N,O,Q,R,S,T,U,W ,X
	J1 or	QNB0348-001	ANT TERMINAL		1	J,K,L,M,N,O,Q,R,S,T,U,W ,X
	J321	QNN0802-001	PIN JACK		1	J,K,L,M,N,O,Q,R,S,T,U,W ,X
	K162	NRSA02J-0R0X	MG RESISTOR	0Ω 1/10W J	1	J,K,L,M,N,O,Q,R,S,T,U,W ,X
	S701	QSW0648-001Z	TACT SWITCH		1	J,K,L,M,N,O,Q,R,S,T,U,W ,X
	X1	QAX0952-001Z	CRYSTAL		1	J,K,L,M,N,O,Q,R,S,T,U,W ,X
	X701	QAX0667-001Z	C RESONATOR	8.000MHz	1	J,K,L,M,N,O,Q,R,S,T,U,W ,X
	X702	QAX0953-001	CRYSTAL		1	J,K,L,M,N,O,Q,R,S,T,U,W ,X

Main board R35E,EY,R38EE,R411/R412E,EY,EU,R417EE<02>

△	IC1	TEF6606T/V5-X	IC		1	A,B,C,D,E,F,G,H,I,V
△	IC71	LC72725KV-X	IC		1	A,B,C,D,E,F,G,H,I,V
	IC161	TDA7718N-X	IC		1	A,B,C,D,E,F,G,H,I,V
△	IC301	TB2926CHQ	IC		1	A,B,C,D,E,F,G,H,I,V
	IC581	NJM4565E-X	IC		1	A,B,C,D,E,F,G,H,I,V
△	IC701	MN101E16KEM	IC(MCU)		1	A,B,C,D,E,F,G,H,I,V
	IC702	S-80824CNNB-G-W	IC		1	A,B,C,D,E,F,G,H,I,V
	IC702 or	IC-PST3424U-X	IC		1	A,B,C,D,E,F,G,H,I,V
	IC771	R1EX24016ASAA-X	IC		1	A,B,C,D,E,F,G,H,I,V
△	IC901	R2S25400DS-E	IC		1	A,B,C,D,E,F,G,H,I,V
	IC951	XC6213B332NG-X	IC		1	A,B,C,D,E,F,G,H,I,V
	Q331	IMX9-W	PAIR TRANSISTOR		1	D,E,F,G,H,I,V
	Q701	RT1N141C-X	DIGI TRANSISTOR		1	A,B,C,D,E,F,G,H,I,V
	Q701 or	UN2211-X	TRANSISTOR		1	A,B,C,D,E,F,G,H,I,V
	Q781	RT1P141C-X	DIGI TRANSISTOR		1	A,B,C,D,E,F,G,H,I,V
	Q781 or	UN2111-X	TRANSISTOR		1	A,B,C,D,E,F,G,H,I,V
	Q782	2SC1623A/5-6/-X	TRANSISTOR		1	A,B,C,D,E,F,G,H,I,V
	Q782 or	2SC3928A/QR/-X	TRANSISTOR		1	A,B,C,D,E,F,G,H,I,V
	Q784	RT1P141C-X	DIGI TRANSISTOR		1	A,B,C,D,E,F,G,H,I,V
	Q784 or	UN2111-X	TRANSISTOR		1	A,B,C,D,E,F,G,H,I,V
	Q891	RT1N141C-X	DIGI TRANSISTOR		1	A,B,C,D,E,F,G,H,I,V
	Q891 or	UN2211-X	TRANSISTOR		1	A,B,C,D,E,F,G,H,I,V
	Q976	RT1N141C-X	DIGI TRANSISTOR		1	A,B,C,D,E,F,G,H,I,V
	Q976 or	UN2211-X	TRANSISTOR		1	A,B,C,D,E,F,G,H,I,V
	Q977	2SA812A/5-6/-X	TRANSISTOR		1	A,B,C,D,E,F,G,H,I,V
	Q977 or	ISA1530AC1/QR/X	TRANSISTOR		1	A,B,C,D,E,F,G,H,I,V
	Q978	2SC1623A/5-6/-X	TRANSISTOR		1	A,B,C,D,E,F,G,H,I,V
	Q978 or	2SC3928A/QR/-X	TRANSISTOR		1	A,B,C,D,E,F,G,H,I,V
	D331	BAW56-TP-X	SI DIODE		1	D,E,F,G,H,I,V
	D331 or	MC2836-X	DIODE		1	D,E,F,G,H,I,V
	D712	HSU119-X	SI DIODE		1	A,B,C,D,E,F,G,H,I,V
	D712 or	MA111-X	SI DIODE		1	A,B,C,D,E,F,G,H,I,V
	D715	RKZ5.1B2KG-X	Z DIODE		1	A,B,C,D,E,F,G,H,I,V
	D716	RKZ5.1B2KG-X	Z DIODE		1	A,B,C,D,E,F,G,H,I,V
	D717	RKZ5.1B2KG-X	Z DIODE		1	A,B,C,D,E,F,G,H,I,V
	D718	RKZ5.1B2KG-X	Z DIODE		1	A,B,C,D,E,F,G,H,I,V
	D781	HSU119-X	SI DIODE		1	A,B,C,D,E,F,G,H,I,V
	D781 or	MA111-X	SI DIODE		1	A,B,C,D,E,F,G,H,I,V
	D782	NRSA02J-0R0X	MG RESISTOR	0Ω 1/10W J	1	A,B,C,D,E,F,G,H,I,V
	D784	RKZ10B2KG-X	Z DIODE		1	A,B,C,D,E,F,G,H,I,V

MODEL	MARK	MODEL	MARK	MODEL	MARK	MODEL	MARK
KD-R35E	A	KD-R35EY	B	KD-R38EE	C	KD-R411E	D
KD-R411EU	E	KD-R411EY	F	KD-R412E	G	KD-R412EU	H
KD-R412EY	I	KD-R414UI	J	KD-R415U	K	KD-R415UH	L
KD-R415UN	M	KD-R415UT	N	KD-R415UW	O	KD-R416SUN	P
KD-R416U	Q	KD-R416UH	R	KD-R416UN	S	KD-R416UT	T
KD-R416UW	U	KD-R417EE	V	KD-R418J	W	KD-R418UF	X
KD-R419UR	Y	KD-S27J	Z				

Safe	Symbol No.	Parts No.	Parts Name	Description	QTY	Local
	D784	or MA8100/M-X	Z DIODE		1	A,B,C,D,E,F,G,H,I,V
	D891	BAW56-TP-X	SI DIODE		1	A,B,C,D,E,F,G,H,I,V
	D891	or MC2836-X	DIODE		1	A,B,C,D,E,F,G,H,I,V
	D901	1N5401-BPC04	SI DIODE		1	A,B,C,D,E,F,G,H,I,V
	D901	or 1N5401-04	SI DIODE		1	A,B,C,D,E,F,G,H,I,V
	D903	HSU119-X	SI DIODE		1	A,B,C,D,E,F,G,H,I,V
	D903	or MA111-X	SI DIODE		1	A,B,C,D,E,F,G,H,I,V
	D971	MBRX130-TP-X	SB DIODE		1	A,B,C,D,E,F,G,H,I,V
	D971	or MA22D23-X	SB DIODE		1	A,B,C,D,E,F,G,H,I,V
	D972	or MBRX130-TP-X	SB DIODE		1	A,B,C,D,E,F,G,H,I,V
	D972	or MA22D23-X	SB DIODE		1	A,B,C,D,E,F,G,H,I,V
	C1	NCB31HK-102X	C CAPACITOR	1000pF 50V K	1	A,B,C,D,E,F,G,H,I,V
	C2	NDC31HJ-7R0X	C CAPACITOR	7pF 50V J	1	A,B,C,D,E,F,G,H,I,V
	C3	NCB31HK-102X	C CAPACITOR	1000pF 50V K	1	A,B,C,D,E,F,G,H,I,V
	C4	NCB31CK-224X	C CAPACITOR	0.22uF 16V K	1	A,B,C,D,E,F,G,H,I,V
	C5	NDC31HJ-150X	C CAPACITOR	15pF 50V J	1	A,B,C,D,E,F,G,H,I,V
	C7	NDC31HJ-220X	C CAPACITOR	22pF 50V J	1	A,B,C,D,E,F,G,H,I,V
	C8	NCJ11EK-106X-A	C CAPACITOR	10uF 25V K	1	A,B,C,D,E,F,G,H,I,V
	C10	NCB21EK-105X	C CAPACITOR	1uF 25V K	1	A,B,C,D,E,F,G,H,I,V
	C11	NCB31HK-103X	C CAPACITOR	0.01uF 50V K	1	A,B,C,D,E,F,G,H,I,V
	C12	NCB31HK-103X	C CAPACITOR	0.01uF 50V K	1	A,B,C,D,E,F,G,H,I,V
	C13	NCB21EK-105X	C CAPACITOR	1uF 25V K	1	A,B,C,D,E,F,G,H,I,V
	C14	NCB31CK-224X	C CAPACITOR	0.22uF 16V K	1	A,B,C,D,E,F,G,H,I,V
	C15	NCB31CK-104X	C CAPACITOR	0.1uF 16V K	1	A,B,C,D,E,F,G,H,I,V
	C16	NCB31HK-103X	C CAPACITOR	0.01uF 50V K	1	A,B,C,D,E,F,G,H,I,V
	C17	NCB31CK-104X	C CAPACITOR	0.1uF 16V K	1	A,B,C,D,E,F,G,H,I,V
	C18	NCB31HK-103X	C CAPACITOR	0.01uF 50V K	1	A,B,C,D,E,F,G,H,I,V
	C19	NCB31CK-104X	C CAPACITOR	0.1uF 16V K	1	A,B,C,D,E,F,G,H,I,V
	C22	NDC31HJ-120X	C CAPACITOR	12pF 50V J	1	A,B,C,D,E,F,G,H,I,V
	C23	NCB31CK-104X	C CAPACITOR	0.1uF 16V K	1	A,B,C,D,E,F,G,H,I,V
	C24	NCB31HK-103X	C CAPACITOR	0.01uF 50V K	1	A,B,C,D,E,F,G,H,I,V
	C25	NCB31HK-103X	C CAPACITOR	0.01uF 50V K	1	A,B,C,D,E,F,G,H,I,V
	C27	QEKJ1EM-106Z	E CAPACITOR	10uF 25V M	1	A,B,C,D,E,F,G,H,I,V
	C33	NDC31HJ-5R6X	C CAPACITOR	5.6pF 50V J	1	A,B,C,D,E,F,G,H,I,V
	C71	NCB31HK-561X	C CAPACITOR	560pF 50V K	1	A,B,C,D,E,F,G,H,I,V
	C72	NDC31HJ-331X	C CAPACITOR	330pF 50V J	1	A,B,C,D,E,F,G,H,I,V
	C73	QEKJ1EM-106Z	E CAPACITOR	10uF 25V M	1	A,B,C,D,E,F,G,H,I,V
	C74	NDC31HJ-270X	C CAPACITOR	27pF 50V J	1	A,B,C,D,E,F,G,H,I,V
	C75	NDC31HJ-270X	C CAPACITOR	27pF 50V J	1	A,B,C,D,E,F,G,H,I,V
	C76	NCB31HK-103X	C CAPACITOR	0.01uF 50V K	1	A,B,C,D,E,F,G,H,I,V
	C77	QEKJ0JM-476Z	E CAPACITOR	47uF 6.3V M	1	A,B,C,D,E,F,G,H,I,V
	C78	NCB31HK-103X	C CAPACITOR	0.01uF 50V K	1	A,B,C,D,E,F,G,H,I,V
	C162	NCB31CK-105X	C CAPACITOR	1uF 16V K	1	A,B,C,D,E,F,G,H,I,V
	C163	QTE1H64-225Z	E CAPACITOR	2.2uF 50V	1	A,B,C,D,E,F,G,H,I,V
	C164	NCB31CK-105X	C CAPACITOR	1uF 16V K	1	A,B,C,D,E,F,G,H,I,V
	C165	NCB31CK-105X	C CAPACITOR	1uF 16V K	1	A,B,C,D,E,F,G,H,I,V
	C168	NCB31CK-105X	C CAPACITOR	1uF 16V K	1	A,B,C,D,E,F,G,H,I,V
	C172	NCB31CK-105X	C CAPACITOR	1uF 16V K	1	A,B,C,D,E,F,G,H,I,V
	C173	QTE1H64-225Z	E CAPACITOR	2.2uF 50V	1	A,B,C,D,E,F,G,H,I,V
	C174	NCB31CK-105X	C CAPACITOR	1uF 16V K	1	A,B,C,D,E,F,G,H,I,V
	C175	QTE1H57-335Z	E CAPACITOR	3.3uF 50V	1	A,B,C,D,E,F,G,H,I,V
	C176	QTE1H57-335Z	E CAPACITOR	3.3uF 50V	1	A,B,C,D,E,F,G,H,I,V
	C177	NDC31HJ-560X	C CAPACITOR	56pF 50V J	1	A,B,C,D,E,F,G,H,I,V
	C178	QTE1C57-106Z	E CAPACITOR	10uF 16V	1	A,B,C,D,E,F,G,H,I,V
	C184	NCB31CK-104X	C CAPACITOR	0.1uF 16V K	1	A,B,C,D,E,F,G,H,I,V
	C301	QTE1C66-474Z	E CAPACITOR	0.47uF 16V	1	A,B,C,D,E,F,G,H,I,V
	C302	QTE1C66-474Z	E CAPACITOR	0.47uF 16V	1	A,B,C,D,E,F,G,H,I,V
	C311	QTE1C66-474Z	E CAPACITOR	0.47uF 16V	1	A,B,C,D,E,F,G,H,I,V
	C312	QTE1C66-474Z	E CAPACITOR	0.47uF 16V	1	A,B,C,D,E,F,G,H,I,V
	C315	NCB31CK-105X	C CAPACITOR	1uF 16V K	1	A,B,C,D,E,F,G,H,I,V
	C316	QEKJ1HM-475Z	E CAPACITOR	4.7uF 50V M	1	A,B,C,D,E,F,G,H,I,V
	C317	QTE1C57-226Z	E CAPACITOR	22uF 16V	1	A,B,C,D,E,F,G,H,I,V
	C326	QERF1CM-226Z-E	E CAPACITOR	22uF 16V M	1	A,B,C,D,E,F,G,H,I,V
	C327	NCB21AK-225X-A	C CAPACITOR	2.2uF 10V K	1	A,B,C,D,E,F,G,H,I,V
	C393	QEKJ1HM-475Z	E CAPACITOR	4.7uF 50V M	1	D,E,F,G,H,I,V
	C394	QEKJ1HM-475Z	E CAPACITOR	4.7uF 50V M	1	D,E,F,G,H,I,V
	C583	NCB31HK-821X	C CAPACITOR	820pF 50V K	1	A,B,C,D,E,F,G,H,I,V
	C584	NCB31HK-821X	C CAPACITOR	820pF 50V K	1	A,B,C,D,E,F,G,H,I,V
	C585	QTE1H57-475Z	E CAPACITOR	4.7uF 50V	1	A,B,C,D,E,F,G,H,I,V
	C586	QTE1H57-475Z	E CAPACITOR	4.7uF 50V	1	A,B,C,D,E,F,G,H,I,V
	C587	NDC31HJ-151X	C CAPACITOR	150pF 50V J	1	A,B,C,D,E,F,G,H,I,V
	C588	NDC31HJ-151X	C CAPACITOR	150pF 50V J	1	A,B,C,D,E,F,G,H,I,V
	C590	QTE0J57-476Z	E CAPACITOR	47uF 6.3V	1	A,B,C,D,E,F,G,H,I,V
	C591	QTE1A57-107Z	E CAPACITOR	100uF 10V	1	A,B,C,D,E,F,G,H,I,V
	C592	NCB31HK-104X	C CAPACITOR	0.1uF 50V K	1	A,B,C,D,E,F,G,H,I,V
	C703	NDC31HJ-8R0X	C CAPACITOR	8pF 50V J	1	A,B,C,D,E,F,G,H,I,V
	C704	NDC31HJ-9R0X	C CAPACITOR	9pF 50V J	1	A,B,C,D,E,F,G,H,I,V
	C707	QEKJ1CM-107Z	E CAPACITOR	100uF 16V M	1	A,B,C,D,E,F,G,H,I,V
	C708	NCB31CK-104X	C CAPACITOR	0.1uF 16V K	1	A,B,C,D,E,F,G,H,I,V
	C709	NCB31CK-104X	C CAPACITOR	0.1uF 16V K	1	A,B,C,D,E,F,G,H,I,V
	C711	QEKJ0JM-476Z	E CAPACITOR	47uF 6.3V M	1	A,B,C,D,E,F,G,H,I,V
	C714	NCB31CK-104X	C CAPACITOR	0.1uF 16V K	1	A,B,C,D,E,F,G,H,I,V

MODEL	MARK	MODEL	MARK	MODEL	MARK	MODEL	MARK
KD-R35E	A	KD-R35EY	B	KD-R38EE	C	KD-R411E	D
KD-R411EU	E	KD-R411EY	F	KD-R412E	G	KD-R412EU	H
KD-R412EY	I	KD-R414UI	J	KD-R415U	K	KD-R415UH	L
KD-R415UN	M	KD-R415UT	N	KD-R415UW	O	KD-R416SUN	P
KD-R416U	Q	KD-R416UH	R	KD-R416UN	S	KD-R416UT	T
KD-R416UW	U	KD-R417EE	V	KD-R418J	W	KD-R418UF	X
KD-R419UR	Y	KD-S27J	Z				

Safe	Symbol No.	Parts No.	Parts Name	Description	QTY	Local
	C715	NCB31CK-104X	C CAPACITOR	0.1uF 16V K	1	A,B,C,D,E,F,G,H,I,V
	C717	NCB31HK-821X	C CAPACITOR	820pF 50V K	1	A,B,C,D,E,F,G,H,I,V
	C718	NCB31CK-104X	C CAPACITOR	0.1uF 16V K	1	A,B,C,D,E,F,G,H,I,V
	C719	QERF1AM-107Z	E CAPACITOR	100uF 10V M	1	A,B,C,D,E,F,G,H,I,V
	C720	NDC31HJ-820X	C CAPACITOR	82pF 50V J	1	A,B,C,D,E,F,G,H,I,V
	C721	NCB31CK-104X	C CAPACITOR	0.1uF 16V K	1	A,B,C,D,E,F,G,H,I,V
	C722	QERF1EM-475Z	E CAPACITOR	4.7uF 25V M	1	A,B,C,D,E,F,G,H,I,V
	C723	NDC31HJ-560X	C CAPACITOR	56pF 50V J	1	A,B,C,D,E,F,G,H,I,V
	C725	NCB31CK-105X	C CAPACITOR	1uF 16V K	1	A,B,C,D,E,F,G,H,I,V
	C733	NCJ11EK-106X-A	C CAPACITOR	10uF 25V K	1	A,B,C,D,E,F,G,H,I,V
	C736	NCB31CK-104X	C CAPACITOR	0.1uF 16V K	1	A,B,C,D,E,F,G,H,I,V
	C737	NDC31HJ-101X	C CAPACITOR	100pF 50V J	1	A,B,C,D,E,F,G,H,I,V
	C771	NCB31CK-473X	C CAPACITOR	0.047uF 16V K	1	A,B,C,D,E,F,G,H,I,V
	C781	QEKJ0JM-107Z	E CAPACITOR	100uF 6.3V M	1	A,B,C,D,E,F,G,H,I,V
	C784	QERF1CM-107Z	E CAPACITOR	100uF 16V M	1	A,B,C,D,E,F,G,H,I,V
	C891	NCB31CK-104X	C CAPACITOR	0.1uF 16V K	1	A,B,C,D,E,F,G,H,I,V
	C901	QEZ0870-278	E CAPACITOR	2700uF	1	A,B,C,D,E,F,G,H,I,V
	C902	NCB31AK-474X	C CAPACITOR	0.47uF 10V K	1	A,B,C,D,E,F,G,H,I,V
	C903	QEKJ1CM-107Z	E CAPACITOR	100uF 16V M	1	A,B,C,D,E,F,G,H,I,V
	C904	QERF1AM-227Z	E CAPACITOR	220uF 10V M	1	A,B,C,D,E,F,G,H,I,V
	C905	QEKJ1CM-476Z	E CAPACITOR	47uF 16V M	1	A,B,C,D,E,F,G,H,I,V
	C906	NCB31HK-103X	C CAPACITOR	0.01uF 50V K	1	A,B,C,D,E,F,G,H,I,V
	C907	QEKJ1CM-107Z	E CAPACITOR	100uF 16V M	1	A,B,C,D,E,F,G,H,I,V
	C908	QEKJ1CM-476Z	E CAPACITOR	47uF 16V M	1	A,B,C,D,E,F,G,H,I,V
	C910	QEKJ1EM-106Z	E CAPACITOR	10uF 25V M	1	A,B,C,D,E,F,G,H,I,V
	C912	NCB31HK-103X	C CAPACITOR	0.01uF 50V K	1	A,B,C,D,E,F,G,H,I,V
	C913	QEKJ1EM-106Z	E CAPACITOR	10uF 25V M	1	A,B,C,D,E,F,G,H,I,V
	C915	NCB31CK-104X	C CAPACITOR	0.1uF 16V K	1	A,B,C,D,E,F,G,H,I,V
	C917	QERF0JM-337Z	E CAPACITOR	330uF 6.3V M	1	A,B,C,D,E,F,G,H,I,V
	C951	NCB31CK-104X	C CAPACITOR	0.1uF 16V K	1	A,B,C,D,E,F,G,H,I,V
	C952	NCB31CK-104X	C CAPACITOR	0.1uF 16V K	1	A,B,C,D,E,F,G,H,I,V
	C971	NCB31HK-104X	C CAPACITOR	0.1uF 50V K	1	A,B,C,D,E,F,G,H,I,V
	C991	NCB31HK-472X	C CAPACITOR	4700pF 50V K	1	A,B,C,D,E,F,G,H,I,V
	R1	NRSA63J-474X	MG RESISTOR	470kΩ 1/16W J	1	A,B,C,D,E,F,G,H,I,V
	R2	NRSA63J-474X	MG RESISTOR	470kΩ 1/16W J	1	A,B,C,D,E,F,G,H,I,V
	R3	NRSA63J-101X	MG RESISTOR	100Ω 1/16W J	1	A,B,C,D,E,F,G,H,I,V
	R4	NRSA63J-472X	MG RESISTOR	4.7kΩ 1/16W J	1	A,B,C,D,E,F,G,H,I,V
	R5	NRSA02J-470X	MG RESISTOR	47Ω 1/10W J	1	A,B,C,D,E,F,G,H,I,V
	R6	NRSA63J-0R0X	MG RESISTOR	0Ω 1/10W J	1	A,B,C,D,E,F,G,H,I,V
	R7	NRSA63J-0R0X	MG RESISTOR	0Ω 1/10W J	1	A,B,C,D,E,F,G,H,I,V
	R8	NRSA02J-470X	MG RESISTOR	47Ω 1/10W J	1	A,B,C,D,E,F,G,H,I,V
	R11	NRS181J-4R7X	MG RESISTOR	4.7Ω 1/8W J	1	A,B,C,D,E,F,G,H,I,V
	R14	NRSA63J-472X	MG RESISTOR	4.7kΩ 1/16W J	1	A,B,C,D,E,F,G,H,I,V
	R15	NRS181J-472X	MG RESISTOR	4.7kΩ 1/8W J	1	A,B,C,D,E,F,G,H,I,V
	R71	NRSA63J-0R0X	MG RESISTOR	0Ω 1/10W J	1	A,B,C,D,E,F,G,H,I,V
	R72	NRSA63J-222X	MG RESISTOR	2.2kΩ 1/16W J	1	A,B,C,D,E,F,G,H,I,V
	R73	NRSA63J-222X	MG RESISTOR	2.2kΩ 1/16W J	1	A,B,C,D,E,F,G,H,I,V
	R74	NRSA02J-0R0X	MG RESISTOR	0Ω 1/10W J	1	A,B,C,D,E,F,G,H,I,V
	R161	NRSA63J-472X	MG RESISTOR	4.7kΩ 1/16W J	1	A,B,C,D,E,F,G,H,I,V
	R162	NRSA63J-472X	MG RESISTOR	4.7kΩ 1/16W J	1	A,B,C,D,E,F,G,H,I,V
	R163	NRSA63J-123X	MG RESISTOR	12kΩ 1/16W J	1	A,B,C,D,E,F,G,H,I,V
	R164	NRSA63J-222X	MG RESISTOR	2.2kΩ 1/16W J	1	A,B,C,D,E,F,G,H,I,V
	R165	NRSA63J-123X	MG RESISTOR	12kΩ 1/16W J	1	A,B,C,D,E,F,G,H,I,V
	R168	NRS181J-103X	MG RESISTOR	10kΩ 1/8W J	1	A,B,C,D,E,F,G,H,I,V
	R169	NRSA63J-0R0X	MG RESISTOR	0Ω 1/10W J	1	A,B,C,D,E,F,G,H,I,V
	R171	NRSA63J-101X	MG RESISTOR	100Ω 1/16W J	1	A,B,C,D,E,F,G,H,I,V
	R172	NRSA63J-101X	MG RESISTOR	100Ω 1/16W J	1	A,B,C,D,E,F,G,H,I,V
	R305	NRSA63J-102X	MG RESISTOR	1kΩ 1/16W J	1	A,B,C,D,E,F,G,H,I,V
	R309	NRS181J-100X	MG RESISTOR	10Ω 1/8W J	1	A,B,C,D,E,F,G,H,I,V
	R310	NRSA63J-472X	MG RESISTOR	4.7kΩ 1/16W J	1	A,B,C,D,E,F,G,H,I,V
	R341	NRSA63J-222X	MG RESISTOR	2.2kΩ 1/16W J	1	D,E,F,G,H,I,V
	R342	NRSA63J-821X	MG RESISTOR	820Ω 1/16W J	1	D,E,F,G,H,I,V
	R343	NRSA63J-101X	MG RESISTOR	100Ω 1/16W J	1	D,E,F,G,H,I,V
	R344	NRSA63J-473X	MG RESISTOR	47kΩ 1/16W J	1	D,E,F,G,H,I,V
	R351	NRSA63J-222X	MG RESISTOR	2.2kΩ 1/16W J	1	D,E,F,G,H,I,V
	R352	NRSA63J-821X	MG RESISTOR	820Ω 1/16W J	1	D,E,F,G,H,I,V
	R353	NRSA63J-101X	MG RESISTOR	100Ω 1/16W J	1	D,E,F,G,H,I,V
	R354	NRSA63J-473X	MG RESISTOR	47kΩ 1/16W J	1	D,E,F,G,H,I,V
	R389	NRSA63J-0R0X	MG RESISTOR	0Ω 1/10W J	1	D,E,F,G,H,I,V
	R390	NRSA63J-0R0X	MG RESISTOR	0Ω 1/10W J	1	D,E,F,G,H,I,V
	R583	NRSA63J-153X	MG RESISTOR	15kΩ 1/16W J	1	A,B,C,D,E,F,G,H,I,V
	R584	NRSA63J-153X	MG RESISTOR	15kΩ 1/16W J	1	A,B,C,D,E,F,G,H,I,V
	R585	NRSA63J-562X	MG RESISTOR	5.6kΩ 1/16W J	1	A,B,C,D,E,F,G,H,I,V
	R586	NRSA63J-562X	MG RESISTOR	5.6kΩ 1/16W J	1	A,B,C,D,E,F,G,H,I,V
	R587	NRSA63J-273X	MG RESISTOR	27kΩ 1/16W J	1	A,B,C,D,E,F,G,H,I,V
	R588	NRSA63J-273X	MG RESISTOR	27kΩ 1/16W J	1	A,B,C,D,E,F,G,H,I,V
	R591	NRSA63J-103X	MG RESISTOR	10kΩ 1/16W J	1	A,B,C,D,E,F,G,H,I,V
	R592	NRSA63J-103X	MG RESISTOR	10kΩ 1/16W J	1	A,B,C,D,E,F,G,H,I,V
	R593	NRS181J-223X	MG RESISTOR	22kΩ 1/8W J	1	A,B,C,D,E,F,G,H,I,V
	R594	NRSA63J-223X	MG RESISTOR	22kΩ 1/16W J	1	A,B,C,D,E,F,G,H,I,V
	R701	NRSA63J-103X	MG RESISTOR	10kΩ 1/16W J	1	A,B,C,D,E,F,G,H,I,V
	R702	NRSA63J-103X	MG RESISTOR	10kΩ 1/16W J	1	A,B,C,D,E,F,G,H,I,V
	R703	NRSA63J-104X	MG RESISTOR	100kΩ 1/16W J	1	A,B,C,D,E,F,G,H,I,V
	R704	NRSA63J-104X	MG RESISTOR	100kΩ 1/16W J	1	A,B,C,D,E,F,G,H,I,V

MODEL	MARK	MODEL	MARK	MODEL	MARK	MODEL	MARK
KD-R35E	A	KD-R35EY	B	KD-R38EE	C	KD-R411E	D
KD-R411EU	E	KD-R411EY	F	KD-R412E	G	KD-R412EU	H
KD-R412EY	I	KD-R414UI	J	KD-R415U	K	KD-R415UH	L
KD-R415UN	M	KD-R415UT	N	KD-R415UW	O	KD-R416SUN	P
KD-R416U	Q	KD-R416UH	R	KD-R416UN	S	KD-R416UT	T
KD-R416UW	U	KD-R417EE	V	KD-R418J	W	KD-R418UF	X
KD-R419UR	Y	KD-S27J	Z				

Safe	Symbol No.	Parts No.	Parts Name	Description	QTY	Local
	R707	NRSA63J-473X	MG RESISTOR	47kΩ 1/16W J	1	A,B,C,D,E,F,G,H,I,V
	R708	NRSA63J-104X	MG RESISTOR	100kΩ 1/16W J	1	A,B,C,D,E,F,G,H,I,V
	R710	NRSA63J-104X	MG RESISTOR	100kΩ 1/16W J	1	C,V
	R711	NRSA63J-473X	MG RESISTOR	47kΩ 1/16W J	1	A,B,D,E,F,G,H,I
	R712	NRSA63J-104X	MG RESISTOR	100kΩ 1/16W J	1	A,B,C
	R713	NRSA63J-473X	MG RESISTOR	47kΩ 1/16W J	1	D,E,F,G,H,I,V
	R715	NRSA63J-331X	MG RESISTOR	330Ω 1/16W J	1	A,B,C,D,E,F,G,H,I,V
	R716	NRSA63J-471X	MG RESISTOR	470Ω 1/16W J	1	A,B,C,D,E,F,G,H,I,V
	R720	NRSA63J-102X	MG RESISTOR	1kΩ 1/16W J	1	A,B,C,D,E,F,G,H,I,V
	R724	NRSA63J-102X	MG RESISTOR	1kΩ 1/16W J	1	A,B,C,D,E,F,G,H,I,V
	R725	NRSA63J-102X	MG RESISTOR	1kΩ 1/16W J	1	A,B,C,D,E,F,G,H,I,V
	R726	NRSA63J-273X	MG RESISTOR	27kΩ 1/16W J	1	A,B,C,D,E,F,G,H,I,V
	R727	NRSA63J-122X	MG RESISTOR	1.2kΩ 1/16W J	1	A,B,C,D,E,F,G,H,I,V
	R728	NRSA63J-102X	MG RESISTOR	1kΩ 1/16W J	1	A,B,C,D,E,F,G,H,I,V
	R730	NRSA63J-102X	MG RESISTOR	1kΩ 1/16W J	1	A,B,C,D,E,F,G,H,I,V
	R731	NRSA63J-101X	MG RESISTOR	100Ω 1/16W J	1	A,B,C,D,E,F,G,H,I,V
	R732	NRSA63J-473X	MG RESISTOR	47kΩ 1/16W J	1	A,B,C,D,E,F,G,H,I,V
	R733	NRSA63J-473X	MG RESISTOR	47kΩ 1/16W J	1	A,B,C,D,E,F,G,H,I,V
	R736	NRSA63J-561X	MG RESISTOR	560Ω 1/16W J	1	A,B,C,D,E,F,G,H,I,V
	R737	NRSA63J-561X	MG RESISTOR	560Ω 1/16W J	1	A,B,C,D,E,F,G,H,I,V
	R738	NRSA63J-561X	MG RESISTOR	560Ω 1/16W J	1	A,B,C,D,E,F,G,H,I,V
	R739	NRSA63J-101X	MG RESISTOR	100Ω 1/16W J	1	A,B,C,D,E,F,G,H,I,V
	R741	NRSA63J-101X	MG RESISTOR	100Ω 1/16W J	1	A,B,C,D,E,F,G,H,I,V
	R742	NRSA63J-101X	MG RESISTOR	100Ω 1/16W J	1	A,B,C,D,E,F,G,H,I,V
	R743	NRSA63J-101X	MG RESISTOR	100Ω 1/16W J	1	A,B,C,D,E,F,G,H,I,V
	R744	NRS181J-101X	MG RESISTOR	100Ω 1/8W J	1	A,B,C,D,E,F,G,H,I,V
	R745	NRSA63J-271X	MG RESISTOR	270Ω 1/16W J	1	A,B,C,D,E,F,G,H,I,V
	R746	NRSA63J-104X	MG RESISTOR	100kΩ 1/16W J	1	A,B,C,D,E,F,G,H,I,V
	R747	NRSA63J-103X	MG RESISTOR	10kΩ 1/16W J	1	A,B,C,D,E,F,G,H,I,V
	R748	NRSA63J-122X	MG RESISTOR	1.2kΩ 1/16W J	1	A,B,C,D,E,F,G,H,I,V
	R749	NRSA63J-102X	MG RESISTOR	1kΩ 1/16W J	1	A,B,C,D,E,F,G,H,I,V
	R750	NRSA63J-104X	MG RESISTOR	100kΩ 1/16W J	1	A,B,C,D,E,F,G,H,I,V
	R752	NRSA63J-472X	MG RESISTOR	4.7kΩ 1/16W J	1	A,B,C,D,E,F,G,H,I,V
	R753	NRSA63J-472X	MG RESISTOR	4.7kΩ 1/16W J	1	A,B,C,D,E,F,G,H,I,V
	R755	NRSA63J-472X	MG RESISTOR	4.7kΩ 1/16W J	1	A,B,C,D,E,F,G,H,I,V
	R756	NRSA63J-472X	MG RESISTOR	4.7kΩ 1/16W J	1	A,B,C,D,E,F,G,H,I,V
	R758	NRSA63J-473X	MG RESISTOR	47kΩ 1/16W J	1	A,B,C,D,E,F,G,H,I,V
	R759	NRSA63J-0R0X	MG RESISTOR	0Ω 1/10W J	1	A,B,C,D,E,F,G,H,I,V
	R761	NRSA63J-102X	MG RESISTOR	1kΩ 1/16W J	1	A,B,C,D,E,F,G,H,I,V
	R763	NRSA63J-823X	MG RESISTOR	82kΩ 1/16W J	1	A,B,C,D,E,F,G,H,I,V
	R764	NRSA63J-823X	MG RESISTOR	82kΩ 1/16W J	1	A,B,C,D,E,F,G,H,I,V
	R765	NRSA63J-472X	MG RESISTOR	4.7kΩ 1/16W J	1	A,B,C,D,E,F,G,H,I,V
	R766	NRSA63J-472X	MG RESISTOR	4.7kΩ 1/16W J	1	A,B,C,D,E,F,G,H,I,V
	R767	NRSA63J-473X	MG RESISTOR	47kΩ 1/16W J	1	A,B,C,D,E,F,G,H,I,V
	R770	NRS181J-222X	MG RESISTOR	2.2kΩ 1/8W J	1	D,E,F,G,H,I
	R771	NRSA63J-271X	MG RESISTOR	270Ω 1/16W J	1	A,B,C,D,E,F,G,H,I,V
	R772	NRSA63J-271X	MG RESISTOR	270Ω 1/16W J	1	A,B,C,D,E,F,G,H,I,V
	R773	NRSA63J-223X	MG RESISTOR	22kΩ 1/16W J	1	D,E,F,G,H,I
	R774	NRSA63J-473X	MG RESISTOR	47kΩ 1/16W J	1	A,B,C,D,E,F,G,H,I,V
	R775	NRSA63J-222X	MG RESISTOR	2.2kΩ 1/16W J	1	A,B,C,D,E,F,G,H,I,V
	R777	NRSA63J-103X	MG RESISTOR	10kΩ 1/16W J	1	A,B,C,D,E,F,G,H,I,V
	R779	NRSA63J-101X	MG RESISTOR	100Ω 1/16W J	1	A,B,C,D,E,F,G,H,I,V
	R781	NRS181J-473X	MG RESISTOR	47kΩ 1/8W J	1	A,B,C,D,E,F,G,H,I,V
	R782	NRSA63J-472X	MG RESISTOR	4.7kΩ 1/16W J	1	A,B,C,D,E,F,G,H,I,V
	R783	NRSA63J-103X	MG RESISTOR	10kΩ 1/16W J	1	A,B,C,D,E,F,G,H,I,V
	R784	NRSA63J-103X	MG RESISTOR	10kΩ 1/16W J	1	A,B,C,D,E,F,G,H,I,V
	R891	NRS181J-102X	MG RESISTOR	1kΩ 1/8W J	1	A,B,C,D,E,F,G,H,I,V
	R892	NRS181J-473X	MG RESISTOR	47kΩ 1/8W J	1	A,B,C,D,E,F,G,H,I,V
	R901	QRE141J-103Y	C RESISTOR	10kΩ 1/4W J	1	A,B,C,D,E,F,G,H,I,V
	R902	NRSA02J-0R0X	MG RESISTOR	0Ω 1/10W J	1	A,B,C,D,E,F,G,H,I,V
	R903	NRSA02J-472X	MG RESISTOR	4.7kΩ 1/10W J	1	A,B,C,D,E,F,G,H,I,V
	R930	NRSA63J-103X	MG RESISTOR	10kΩ 1/16W J	1	A,B,C,D,E,F,G,H,I,V
	R971	NRS181J-332X	MG RESISTOR	3.3kΩ 1/8W J	1	A,B,C,D,E,F,G,H,I,V
	R976	NRSA02J-273X	MG RESISTOR	27kΩ 1/10W J	1	A,B,C,D,E,F,G,H,I,V
	R977	NRSA02J-123X	MG RESISTOR	12kΩ 1/10W J	1	A,B,C,D,E,F,G,H,I,V
	L1	NQL093K-R47X	P COIL	0.47uH K	1	A,B,C,D,E,F,G,H,I,V
	L2	NQL093K-1R8X	P COIL	1.8uH K	1	A,B,C,D,E,F,G,H,I,V
	L3	NQL093K-R22X	P COIL	0.22uH K	1	A,B,C,D,E,F,G,H,I,V
	L4	QQR1872-001	RF COIL		1	A,B,C,D,E,F,G,H,I,V
	L5	QQL244J-561Z	COIL	560uH J	1	A,B,C,D,E,F,G,H,I,V
	L6	QQL244J-561Z	COIL	560uH J	1	A,B,C,D,E,F,G,H,I,V
	L8	QQL231K-4R7Y	INDUCTOR	4.7uH K	1	A,B,C,D,E,F,G,H,I,V
	L9	QQL231K-4R7Y	INDUCTOR	4.7uH K	1	A,B,C,D,E,F,G,H,I,V
	L31	NQL093K-R47X	P COIL	0.47uH K	1	A,B,C,D,E,F,G,H,I,V
	L701	QQL231K-4R7Y	INDUCTOR	4.7uH K	1	A,B,C,D,E,F,G,H,I,V
	L702	QQL231K-4R7Y	INDUCTOR	4.7uH K	1	A,B,C,D,E,F,G,H,I,V
△	L901	QQR1852-001	CHOKE COIL		1	A,B,C,D,E,F,G,H,I,V
△	L901 or	QQR0703-001	CHOKE COIL		1	A,B,C,D,E,F,G,H,I,V
	L930	NQLH25M-4R7X	COIL	4.7uH M	1	A,B,C,D,E,F,G,H,I,V
	CN501	QGB2027ME-28	CONNECTOR	B-B (1-28)	1	A,B,C,D,E,F,G,H,I,V
	CN701	QGZ1101J1-20	CONNECTOR	(1-20)	1	A,B,C,D,E,F,G,H,I,V
	CN901	QNZ0607-001	CAR CONNECTOR		1	A,B,C,D,E,F,G,H,I,V
	J1	QNB0190-001	ANT TERMINAL		1	A,B,C,D,E,F,G,H,I,V
	J1 or	QNB0348-001	ANT TERMINAL		1	A,B,C,D,E,F,G,H,I,V

MODEL	MARK	MODEL	MARK	MODEL	MARK	MODEL	MARK
KD-R35E	A	KD-R35EY	B	KD-R38EE	C	KD-R411E	D
KD-R411EU	E	KD-R411EY	F	KD-R412E	G	KD-R412EU	H
KD-R412EY	I	KD-R414UI	J	KD-R415U	K	KD-R415UH	L
KD-R415UN	M	KD-R415UT	N	KD-R415UW	O	KD-R416SUN	P
KD-R416U	Q	KD-R416UH	R	KD-R416UN	S	KD-R416UT	T
KD-R416UW	U	KD-R417EE	V	KD-R418J	W	KD-R418UF	X
KD-R419UR	Y	KD-S27J	Z				

Safe	Symbol No.	Parts No.	Parts Name	Description	QTY	Local
	J321	QNN0802-001	PIN JACK		1	D,E,F,G,H,I,V
	J702	QNS0283-001	3.5 JACK		1	D,E,F,G,H,I
	K162	NRSA02J-0R0X	MG RESISTOR	0Ω 1/10W J	1	A,B,C,D,E,F,G,H,I,V
	S701	QSW0648-001Z	TACT SWITCH		1	A,B,C,D,E,F,G,H,I,V
	X1	QAX0952-001Z	CRYSTAL		1	A,B,C,D,E,F,G,H,I,V
	X71	QAX0954-001Z	CRYSTAL		1	A,B,C,D,E,F,G,H,I,V
	X701	QAX0667-001Z	C RESONATOR	8.000MHz	1	A,B,C,D,E,F,G,H,I,V
	X702	QAX0953-001	CRYSTAL		1	A,B,C,D,E,F,G,H,I,V
Switch board R414UI,R415/R416U,UN,UT,UH,UW,R418J,R418UF<03>						
	IC661	PTC6526LQ-L	IC		1	J,K,L,M,N,O,P,Q,R,S,T,U, W,X,Y
	IC681	KSM-2003TN2M	IR DETECT UNIT		1	J,K,L,M,N,O,P,Q,R,S,T,U, W,X,Y
	IC930	TPS54040DGQ-X	IC		1	J,K,L,M,N,O,P,Q,R,S,T,U, W,X,Y
	Q601	2SA2188/F-X	TRANSISTOR		1	J,K,L,M,N,O,P,Q,R,S,T,U, W,X,Y
	Q602	RT1N141C-X	DIGI TRANSISTOR		1	J,K,L,M,N,O,P,Q,R,S,T,U, W,X,Y
	Q602 or	UN2211-X	TRANSISTOR		1	J,K,L,M,N,O,P,Q,R,S,T,U, W,X
	D633	LHQ974/LM/-X	LED		1	J,K,L,M,N,O,P,Q,R,S,T,U, W,X,Y
	D634	LHQ974/LM/-X	LED		1	J,K,L,M,N,O,P,Q,R,S,T,U, W,X,Y
	D635	LHQ974/LM/-X	LED		1	J,K,L,M,N,O,P,Q,R,S,T,U, W,X,Y
	D636	LHQ974/LM/-X	LED		1	J,K,L,M,N,O,P,Q,R,S,T,U, W,X,Y
	D638	LHQ974/LM/-X	LED		1	J,K,L,M,N,O,P,Q,R,S,T,U, W,X,Y
	D639	LHQ974/LM/-X	LED		1	J,K,L,M,N,O,P,Q,R,S,T,U, W,X,Y
	D640	LHQ974/LM/-X	LED		1	J,K,L,M,N,O,P,Q,R,S,T,U, W,X,Y
	D641	LHQ974/LM/-X	LED		1	J,K,L,M,N,O,P,Q,R,S,T,U, W,X,Y
	D642	LHQ974/LM/-X	LED		1	J,K,L,M,N,O,P,Q,R,S,T,U, W,X,Y
	D645	LHQ974/LM/-X	LED		1	J,K,L,M,N,O,P,Q,R,S,T,U, W,X,Y
	D646	LHQ974/LM/-X	LED		1	J,K,L,M,N,O,P,Q,R,S,T,U, W,X,Y
	D650	LWA6SG/56L/-X	LED		1	J,K,L,M,N,O,P,Q,R,S,T,U, W,X,Y
	D652	LHQ974/LM/-X	LED		1	J,K,L,M,N,O,P,Q,R,S,T,U, W,X,Y
	D653	LHQ974/LM/-X	LED		1	J,K,L,M,N,O,P,Q,R,S,T,U, W,X,Y
	D654	LHQ974/LM/-X	LED		1	J,K,L,M,N,O,P,Q,R,S,T,U, W,X,Y
	D655	LHQ974/LM/-X	LED		1	J,K,L,M,N,O,P,Q,R,S,T,U, W,X,Y
	D661	HSU119-X	SI DIODE		1	J,K,L,M,N,O,P,Q,R,S,T,U, W,X,Y
	D661 or	MA111-X	SI DIODE		1	J,K,L,M,N,O,P,Q,R,S,T,U, W,X
	D662	RKZ5.1B2KG-X	Z DIODE		1	J,K,L,M,N,O,P,Q,R,S,T,U, W,X,Y
	D662 or	MA8051/M/-X	Z DIODE		1	J,K,L,M,N,O,P,Q,R,S,T,U, W,X

MODEL	MARK	MODEL	MARK	MODEL	MARK	MODEL	MARK
KD-R35E	A	KD-R35EY	B	KD-R38EE	C	KD-R411E	D
KD-R411EU	E	KD-R411EY	F	KD-R412E	G	KD-R412EU	H
KD-R412EY	I	KD-R414UI	J	KD-R415U	K	KD-R415UH	L
KD-R415UN	M	KD-R415UT	N	KD-R415UW	O	KD-R416SUN	P
KD-R416U	Q	KD-R416UH	R	KD-R416UN	S	KD-R416UT	T
KD-R416UW	U	KD-R417EE	V	KD-R418J	W	KD-R418UF	X
KD-R419UR	Y	KD-S27J	Z				

Safe	Symbol No.	Parts No.	Parts Name	Description	QTY	Local
	D691	RKZ5.1B2KG-X	Z DIODE		1	J,K,L,M,N,O,P,Q,R,S,T,U, W,X,Y
	D691 or	MA8051/M-X	Z DIODE		1	J,K,L,M,N,O,P,Q,R,S,T,U, W,X
	D692	RKZ5.1B2KG-X	Z DIODE		1	J,K,L,M,N,O,P,Q,R,S,T,U, W,X,Y
	D692 or	MA8051/M-X	Z DIODE		1	J,K,L,M,N,O,P,Q,R,S,T,U, W,X
	D930	MBRX130-TP-X	SB DIODE		1	J,K,L,M,N,O,P,Q,R,S,T,U, W,X,Y
	D930 or	MA22D23-X	SB DIODE		1	J,K,L,M,N,O,P,Q,R,S,T,U, W,X
	C661	NCB21EK-105X	C CAPACITOR	1uF 25V K	1	J,K,L,M,N,O,P,Q,R,S,T,U, W,X,Y
	C662	NDC31HJ-151X	C CAPACITOR	150pF 50V J	1	J,K,L,M,N,O,P,Q,R,S,T,U, W,X,Y
	C663	NCB31HK-223X	C CAPACITOR	0.022uF 50V K	1	J,K,L,M,N,O,P,Q,R,S,T,U, W,X,Y
	C665	NCB31CK-104X	C CAPACITOR	0.1uF 16V K	1	J,K,L,M,N,O,P,Q,R,S,T,U, W,X,Y
	C666	NCB31CK-104X	C CAPACITOR	0.1uF 16V K	1	J,K,L,M,N,O,P,Q,R,S,T,U, W,X,Y
	C682	NCB31HK-104X	C CAPACITOR	0.1uF 50V K	1	J,K,L,M,N,O,P,Q,R,S,T,U, W,X,Y
	C687	NCB31HK-102X	C CAPACITOR	1000pF 50V K	1	J,K,L,M,N,O,P,Q,R,S,T,U, W,X,Y
	C688	NCB31HK-102X	C CAPACITOR	1000pF 50V K	1	J,K,L,M,N,O,P,Q,R,S,T,U, W,X,Y
	C692	NCJ11EK-106X-R	C CAPACITOR	10uF 25V	1	J,K,L,M,N,O,P,Q,R,S,T,U, W,X,Y
	C693	NCJ11EK-106X-R	C CAPACITOR	10uF 25V	1	J,K,L,M,N,O,P,Q,R,S,T,U, W,X,Y
	C930	NCJ11EK-106X-R	C CAPACITOR	10uF 25V	1	J,K,L,M,N,O,P,Q,R,S,T,U, W,X,Y
	C931	NCJ11EK-106X-R	C CAPACITOR	10uF 25V	1	J,K,L,M,N,O,P,Q,R,S,T,U, W,X,Y
	C932	NCJ11EK-106X-R	C CAPACITOR	10uF 25V	1	J,K,L,M,N,O,P,Q,R,S,T,U, W,X,Y
	C933	NCB31HK-104X	C CAPACITOR	0.1uF 50V K	1	J,K,L,M,N,O,P,Q,R,S,T,U, W,X,Y
	C934	NCB31HK-104X	C CAPACITOR	0.1uF 50V K	1	J,K,L,M,N,O,P,Q,R,S,T,U, W,X,Y
	C935	NCB31HK-272X	C CAPACITOR	2700pF 50V K	1	J,K,L,M,N,O,P,Q,R,S,T,U, W,X,Y
	C936	NDC31HJ-5R6X	C CAPACITOR	5.6pF 50V J	1	J,K,L,M,N,O,P,Q,R,S,T,U, W,X,Y
	C937	NCJ11EK-106X-R	C CAPACITOR	10uF 25V	1	J,K,L,M,N,O,P,Q,R,S,T,U, W,X,Y
	C938	NCJ11EK-106X-R	C CAPACITOR	10uF 25V	1	J,K,L,M,N,O,P,Q,R,S,T,U, W,X,Y
	C939	NDC31HJ-100X	C CAPACITOR	10pF 50V J	1	J,K,L,M,N,O,P,Q,R,S,T,U, W,X,Y
	R601	NRSA63J-821X	MG RESISTOR	820Ω 1/16W J	1	J,K,L,M,N,O,P,Q,R,S,T,U, W,X,Y
	R602	NRSA63J-821X	MG RESISTOR	820Ω 1/16W J	1	J,K,L,M,N,O,P,Q,R,S,T,U, W,X,Y
	R603	NRSA63J-122X	MG RESISTOR	1.2kΩ 1/16W J	1	J,K,L,M,N,O,P,Q,R,S,T,U, W,X,Y

MODEL	MARK	MODEL	MARK	MODEL	MARK	MODEL	MARK
KD-R35E	A	KD-R35EY	B	KD-R38EE	C	KD-R411E	D
KD-R411EU	E	KD-R411EY	F	KD-R412E	G	KD-R412EU	H
KD-R412EY	I	KD-R414UI	J	KD-R415U	K	KD-R415UH	L
KD-R415UN	M	KD-R415UT	N	KD-R415UW	O	KD-R416SUN	P
KD-R416U	Q	KD-R416UH	R	KD-R416UN	S	KD-R416UT	T
KD-R416UW	U	KD-R417EE	V	KD-R418J	W	KD-R418UF	X
KD-R419UR	Y	KD-S27J	Z				

Safe	Symbol No.	Parts No.	Parts Name	Description	QTY	Local
	R604	NRSA63J-182X	MG RESISTOR	1.8kΩ 1/16W J	1	J,K,L,M,N,O,P,Q,R,S,T,U, W,X,Y
	R605	NRSA63J-272X	MG RESISTOR	2.7kΩ 1/16W J	1	J,K,L,M,N,O,P,Q,R,S,T,U, W,X,Y
	R607	NRSA63J-821X	MG RESISTOR	820Ω 1/16W J	1	J,K,L,M,N,O,P,Q,R,S,T,U, W,X,Y
	R608	NRSA63J-821X	MG RESISTOR	820Ω 1/16W J	1	J,K,L,M,N,O,P,Q,R,S,T,U, W,X,Y
	R609	NRSA63J-122X	MG RESISTOR	1.2kΩ 1/16W J	1	J,K,L,M,N,O,P,Q,R,S,T,U, W,X,Y
	R610	NRSA63J-182X	MG RESISTOR	1.8kΩ 1/16W J	1	J,K,L,M,N,O,P,Q,R,S,T,U, W,X,Y
	R611	NRSA63J-272X	MG RESISTOR	2.7kΩ 1/16W J	1	J,K,L,M,N,O,P,Q,R,S,T,U, W,X,Y
	R612	NRSA63J-392X	MG RESISTOR	3.9kΩ 1/16W J	1	J,K,L,M,N,O,P,Q,R,S,T,U, W,X,Y
	R613	NRSA63J-103X	MG RESISTOR	10kΩ 1/16W J	1	J,K,L,M,N,O,P,Q,R,S,T,U, W,X,Y
	R631	NRS181J-471X	MG RESISTOR	470Ω 1/8W J	1	J,K,L,M,N,O,P,Q,R,S,T,U, W,X,Y
	R632	NRS181J-471X	MG RESISTOR	470Ω 1/8W J	1	J,K,L,M,N,O,P,Q,R,S,T,U, W,X,Y
	R633	NRS181J-561X	MG RESISTOR	560Ω 1/8W J	1	J,K,L,M,N,O,P,Q,R,S,T,U, W,X,Y
	R634	NRS181J-471X	MG RESISTOR	470Ω 1/8W J	1	J,K,L,M,N,O,P,Q,R,S,T,U, W,X,Y
	R635	NRS181J-471X	MG RESISTOR	470Ω 1/8W J	1	J,K,L,M,N,O,P,Q,R,S,T,U, W,X,Y
	R636	NRS181J-471X	MG RESISTOR	470Ω 1/8W J	1	J,K,L,M,N,O,P,Q,R,S,T,U, W,X,Y
	R637	NRS181J-471X	MG RESISTOR	470Ω 1/8W J	1	J,K,L,M,N,O,P,Q,R,S,T,U, W,X,Y
	R638	NRS181J-471X	MG RESISTOR	470Ω 1/8W J	1	J,K,L,M,N,O,P,Q,R,S,T,U, W,X,Y
	R648	NRS181J-391X	MG RESISTOR	390Ω 1/8W J	1	J,K,L,M,N,O,P,Q,R,S,T,U, W,X,Y
	R649	NRS181J-391X	MG RESISTOR	390Ω 1/8W J	1	J,K,L,M,N,O,P,Q,R,S,T,U, W,X,Y
	R650	NRS181J-221X	MG RESISTOR	220Ω 1/8W J	1	J,K,L,M,N,O,P,Q,R,S,T,U, W,X,Y
	R651	NRS181J-271X	MG RESISTOR	270Ω 1/8W J	1	J,K,L,M,N,O,P,Q,R,S,T,U, W,X,Y
	R652	NRSA63J-472X	MG RESISTOR	4.7kΩ 1/16W J	1	J,K,L,M,N,O,P,Q,R,S,T,U, W,X,Y
	R653	NRS181J-102X	MG RESISTOR	1kΩ 1/8W J	1	J,K,L,M,N,O,P,Q,R,S,T,U, W,X,Y
	R654	NRSA63J-511X	MG RESISTOR	510Ω 1/16W J	1	J,K,L,M,N,O,P,Q,R,S,T,U, W,X,Y
	R660	NRSA63J-394X	MG RESISTOR	390kΩ 1/16W J	1	J,K,L,M,N,O,P,Q,R,S,T,U, W,X,Y
	R661	NRSA63J-102X	MG RESISTOR	1kΩ 1/16W J	1	J,K,L,M,N,O,P,Q,R,S,T,U, W,X,Y
	R662	NRSA63J-102X	MG RESISTOR	1kΩ 1/16W J	1	J,K,L,M,N,O,P,Q,R,S,T,U, W,X,Y
	R663	NRSA63J-102X	MG RESISTOR	1kΩ 1/16W J	1	J,K,L,M,N,O,P,Q,R,S,T,U, W,X,Y
	R664	NRSA63J-224X	MG RESISTOR	220kΩ 1/16W J	1	J,K,L,M,N,O,P,Q,R,S,T,U, W,X,Y

MODEL	MARK	MODEL	MARK	MODEL	MARK	MODEL	MARK
KD-R35E	A	KD-R35EY	B	KD-R38EE	C	KD-R411E	D
KD-R411EU	E	KD-R411EY	F	KD-R412E	G	KD-R412EU	H
KD-R412EY	I	KD-R414UI	J	KD-R415U	K	KD-R415UH	L
KD-R415UN	M	KD-R415UT	N	KD-R415UW	O	KD-R416SUN	P
KD-R416U	Q	KD-R416UH	R	KD-R416UN	S	KD-R416UT	T
KD-R416UW	U	KD-R417EE	V	KD-R418J	W	KD-R418UF	X
KD-R419UR	Y	KD-S27J	Z				

Safe	Symbol No.	Parts No.	Parts Name	Description	QTY	Local
	R665	NRSA63J-101X	MG RESISTOR	100Ω 1/16W J	1	J,K,L,M,N,O,P,Q,R,S,T,U, W,X,Y
	R666	NRSA63J-101X	MG RESISTOR	100Ω 1/16W J	1	J,K,L,M,N,O,P,Q,R,S,T,U, W,X,Y
	R667	NRSA63J-101X	MG RESISTOR	100Ω 1/16W J	1	J,K,L,M,N,O,P,Q,R,S,T,U, W,X,Y
	R672	NRSA63J-0R0X	MG RESISTOR	0Ω 1/10W J	1	J,K,L,M,N,O,P,Q,R,S,T,U, W,X,Y
	R673	NRSA63J-0R0X	MG RESISTOR	0Ω 1/10W J	1	J,K,L,M,N,O,P,Q,R,S,T,U, W,X,Y
	R681	NRSA63J-471X	MG RESISTOR	470Ω 1/16W J	1	J,K,L,M,N,O,P,Q,R,S,T,U, W,X,Y
	R682	NRSA63J-102X	MG RESISTOR	1kΩ 1/16W J	1	J,K,L,M,N,O,P,Q,R,S,T,U, W,X,Y
	R690	NRSA63J-103X	MG RESISTOR	10kΩ 1/16W J	1	J,K,L,M,N,O,P,Q,R,S,T,U, W,X,Y
	R931	NRSA63J-432X	MG RESISTOR	4.3kΩ 1/16W J	1	J,K,L,M,N,O,P,Q,R,S,T,U, W,X,Y
	R932	NRSA63J-274X	MG RESISTOR	270kΩ 1/16W J	1	J,K,L,M,N,O,P,Q,R,S,T,U, W,X,Y
	R933	NRSA63J-681X	MG RESISTOR	680Ω 1/16W J	1	J,K,L,M,N,O,P,Q,R,S,T,U, W,X,Y
	R934	NRSA63J-753X	MG RESISTOR	75kΩ 1/16W J	1	J,K,L,M,N,O,P,Q,R,S,T,U, W,X,Y
	R935	NRSA63J-753X	MG RESISTOR	75kΩ 1/16W J	1	J,K,L,M,N,O,P,Q,R,S,T,U, W,X,Y
	R936	NRSA63D-103X	MG RESISTOR	10kΩ 1/16W D	1	J,K,L,M,N,O,P,Q,R,S,T,U, W,X,Y
	R937	NRSA63J-182X	MG RESISTOR	1.8kΩ 1/16W J	1	J,K,L,M,N,O,P,Q,R,S,T,U, W,X,Y
	R938	NRSA63D-513X	MG RESISTOR	51kΩ 1/16W D	1	J,K,L,M,N,O,P,Q,R,S,T,U, W,X,Y
	L601	NQR0007-002X	FERRITE BEADS		1	J,K,L,M,N,O,P,Q,R,S,T,U, W,X,Y
	L602	NQR0007-002X	FERRITE BEADS		1	J,K,L,M,N,O,P,Q,R,S,T,U, W,X,Y
	L603	NQR0007-002X	FERRITE BEADS		1	J,K,L,M,N,O,P,Q,R,S,T,U, W,X,Y
	L691	NQR0536-001X	CHOKO COIL		1	J,K,L,M,N,O,P,Q,R,S,T,U, W,X,Y
	L931	NQL52EM-220X	COIL	22uH M	1	J,K,L,M,N,O,P,Q,R,S,T,U, W,X,Y
	CN601	QGZ1101K1-20	CONNECTOR	(1-20)	1	J,K,L,M,N,O,P,Q,R,S,T,U, W,X,Y
	CN603	QNZ1006-001	USB CONNECTOR		1	J,K,L,M,N,O,P,Q,R,S,T,U, W,X,Y
	CN603 or	QNZ0963-002	USB CONNECTOR		1	J,K,L,M,N,O,P,Q,R,S,T,U, W,X
	EN601	QSW1231-002	ROTARY ENCODER		1	J,K,L,M,N,O,P,Q,R,S,T,U, W,X,Y
	PJ601	QNS0280-001	3.5 JACK		1	J,K,L,M,N,O,P,Q,R,S,T,U, W,X,Y
	S601	NSW0326-001X	TACT SWITCH		1	J,K,L,M,N,O,P,Q,R,S,T,U, W,X,Y
	S602	NSW0326-001X	TACT SWITCH		1	J,K,L,M,N,O,P,Q,R,S,T,U, W,X,Y
	S603	NSW0326-001X	TACT SWITCH		1	J,K,L,M,N,O,P,Q,R,S,T,U, W,X,Y

MODEL	MARK	MODEL	MARK	MODEL	MARK	MODEL	MARK
KD-R35E	A	KD-R35EY	B	KD-R38EE	C	KD-R411E	D
KD-R411EU	E	KD-R411EY	F	KD-R412E	G	KD-R412EU	H
KD-R412EY	I	KD-R414UI	J	KD-R415U	K	KD-R415UH	L
KD-R415UN	M	KD-R415UT	N	KD-R415UW	O	KD-R416SUN	P
KD-R416U	Q	KD-R416UH	R	KD-R416UN	S	KD-R416UT	T
KD-R416UW	U	KD-R417EE	V	KD-R418J	W	KD-R418UF	X
KD-R419UR	Y	KD-S27J	Z				

Safe	Symbol No.	Parts No.	Parts Name	Description	QTY	Local
	S604	NSW0326-001X	TACT SWITCH		1	J,K,L,M,N,O,P,Q,R,S,T,U, W,X,Y
	S605	NSW0326-001X	TACT SWITCH		1	J,K,L,M,N,O,P,Q,R,S,T,U, W,X,Y
	S606	NSW0326-001X	TACT SWITCH		1	J,K,L,M,N,O,P,Q,R,S,T,U, W,X,Y
	S607	NSW0326-001X	TACT SWITCH		1	J,K,L,M,N,O,P,Q,R,S,T,U, W,X,Y
	S608	NSW0326-001X	TACT SWITCH		1	J,K,L,M,N,O,P,Q,R,S,T,U, W,X,Y
	S609	NSW0326-001X	TACT SWITCH		1	J,K,L,M,N,O,P,Q,R,S,T,U, W,X,Y
	S610	NSW0326-001X	TACT SWITCH		1	J,K,L,M,N,O,P,Q,R,S,T,U, W,X,Y
	S611	NSW0326-001X	TACT SWITCH		1	J,K,L,M,N,O,P,Q,R,S,T,U, W,X,Y

Switch board R35E,EY,R38EE,R411/R412E,EY,EU,R417EE<04>

IC661		PTC6526LQ-L	IC		1	A,B,C,D,E,F,G,H,I,V
IC681		KSM-2003TN2M	IR DETECT UNIT		1	D,E,F,G,H,I
IC930		TPS54040DGQ-X	IC		1	A,B,C,D,E,F,G,H,I,V
Q601		2SA2188/F-X	TRANSISTOR		1	A,B,C,D,E,F,G,H,I,V
Q602		RT1N141C-X	DIGI TRANSISTOR		1	A,B,C,D,E,F,G,H,I,V
Q602	or	UN2211-X	TRANSISTOR		1	A,B,C,D,E,F,G,H,I,V
D630		LNJ308G81/1-3/X	LED	GREEN	1	G,H,I
D631		LNJ308G81/1-3/X	LED	GREEN	1	G,H,I
D632		LNJ308G81/1-3/X	LED	GREEN	1	G,H,I
D633		LSQ971/KL/-X	LED	GREEN/RED	1	A,B,C,D,E,F,V
D633		LNJ308G81/1-3/X	LED	GREEN	1	G,H,I
D634		LSQ971/KL/-X	LED	GREEN/RED	1	A,B,C,D,E,F,V
D634		LNJ308G81/1-3/X	LED	GREEN	1	G,H,I
D635		LSQ971/KL/-X	LED	GREEN/RED	1	A,B,C,D,E,F,V
D635		LNJ308G81/1-3/X	LED	GREEN	1	G,H,I
D636		LSQ971/KL/-X	LED	GREEN/RED	1	A,B,C,D,E,F,V
D636		LNJ308G81/1-3/X	LED	GREEN	1	G,H,I
D638		LSQ971/KL/-X	LED	GREEN/RED	1	A,B,C,D,E,F,G,H,I,V
D639		LSQ971/KL/-X	LED	GREEN/RED	1	A,B,C,D,E,F,V
D639		LNJ308G81/1-3/X	LED	GREEN	1	G,H,I
D640		LSQ971/KL/-X	LED	GREEN/RED	1	A,B,C,D,E,F,V
D640		LNJ308G81/1-3/X	LED	GREEN	1	G,H,I
D641		LSQ971/KL/-X	LED	GREEN/RED	1	A,B,C,D,E,F,G,H,I,V
D642		LSQ971/KL/-X	LED	GREEN/RED	1	A,B,C,D,E,F,G,H,I,V
D643		LNJ308G81/1-3/X	LED	GREEN	1	G,H,I
D644		LNJ308G81/1-3/X	LED	GREEN	1	G,H,I
D645		LSQ971/KL/-X	LED	GREEN/RED	1	A,B,C,D,E,F,V
D645		LNJ308G81/1-3/X	LED	GREEN	1	G,H,I
D646		LSQ971/KL/-X	LED	GREEN/RED	1	A,B,C,D,E,F,V
D646		LNJ308G81/1-3/X	LED	GREEN	1	G,H,I
D647		LNJ308G81/1-3/X	LED	GREEN	1	G,H,I
D648		LNJ308G81/1-3/X	LED	GREEN	1	G,H,I
D649		LNJ308G81/1-3/X	LED	GREEN	1	G,H,I
D650		LWA6SG/56L-X	LED		1	A,B,C,D,E,F,G,H,I,V
D652		SML-D12V8W/PQ-X	LED		1	A,B,C,D,E,F,V
D653		SML-D12V8W/PQ-X	LED		1	A,B,C,D,E,F,V
D654		SML-D12V8W/PQ-X	LED		1	A,B,C,D,E,F,V
D655		SML-D12V8W/PQ-X	LED		1	A,B,C,D,E,F,V
D661		HSU119-X	SI DIODE		1	A,B,C,D,E,F,G,H,I,V
D661	or	MA111-X	SI DIODE		1	A,B,C,D,E,F,G,H,I,V
D662		RKZ5.1B2KG-X	Z DIODE		1	A,B,C,D,E,F,G,H,I,V
D662	or	MA8051/M/-X	Z DIODE		1	A,B,C,D,E,F,G,H,I,V
D691		RKZ5.1B2KG-X	Z DIODE		1	A,B,C,D,E,F,G,H,I,V
D691	or	MA8051/M/-X	Z DIODE		1	A,B,C,D,E,F,G,H,I,V
D692		RKZ5.1B2KG-X	Z DIODE		1	A,B,C,D,E,F,G,H,I,V
D692	or	MA8051/M/-X	Z DIODE		1	A,B,C,D,E,F,G,H,I,V
D930		MBRX130-TP-X	SB DIODE		1	A,B,C,D,E,F,G,H,I,V
D930	or	MA22D23-X	SB DIODE		1	A,B,C,D,E,F,G,H,I,V
C661		NCB21EK-105X	C CAPACITOR	1uF 25V K	1	A,B,C,D,E,F,G,H,I,V
C662		NDC31HJ-151X	C CAPACITOR	150pF 50V J	1	A,B,C,D,E,F,G,H,I,V
C663		NCB31HK-223X	C CAPACITOR	0.022uF 50V K	1	A,B,C,D,E,F,G,H,I,V
C665		NCB31CK-104X	C CAPACITOR	0.1uF 16V K	1	A,B,C,D,E,F,G,H,I,V
C666		NCB31CK-104X	C CAPACITOR	0.1uF 16V K	1	A,B,C,D,E,F,G,H,I,V
C682		NCB31HK-104X	C CAPACITOR	0.1uF 50V K	1	D,E,F,G,H,I
C687		NCB31HK-102X	C CAPACITOR	1000pF 50V K	1	A,B,C,D,E,F,G,H,I,V
C688		NCB31HK-102X	C CAPACITOR	1000pF 50V K	1	A,B,C,D,E,F,G,H,I,V
C692		NCJ11EK-106X-R	C CAPACITOR	10uF 25V	1	A,B,C,D,E,F,G,H,I,V
C693		NCJ11EK-106X-R	C CAPACITOR	10uF 25V	1	A,B,C,D,E,F,G,H,I,V
C930		NCJ11EK-106X-R	C CAPACITOR	10uF 25V	1	A,B,C,D,E,F,G,H,I,V

MODEL	MARK	MODEL	MARK	MODEL	MARK	MODEL	MARK
KD-R35E	A	KD-R35EY	B	KD-R38EE	C	KD-R411E	D
KD-R411EU	E	KD-R411EY	F	KD-R412E	G	KD-R412EU	H
KD-R412EY	I	KD-R414UI	J	KD-R415U	K	KD-R415UH	L
KD-R415UN	M	KD-R415UT	N	KD-R415UW	O	KD-R416SUN	P
KD-R416U	Q	KD-R416UH	R	KD-R416UN	S	KD-R416UT	T
KD-R416UW	U	KD-R417EE	V	KD-R418J	W	KD-R418UF	X
KD-R419UR	Y	KD-S27J	Z				

Safe	Symbol No.	Parts No.	Parts Name	Description	QTY	Local
	C931	NCJ11EK-106X-R	C CAPACITOR	10uF 25V	1	A,B,C,D,E,F,G,H,I,V
	C932	NCJ11EK-106X-R	C CAPACITOR	10uF 25V	1	A,B,C,D,E,F,G,H,I,V
	C933	NCB31HK-104X	C CAPACITOR	0.1uF 50V K	1	A,B,C,D,E,F,G,H,I,V
	C934	NCB31HK-104X	C CAPACITOR	0.1uF 50V K	1	A,B,C,D,E,F,G,H,I,V
	C935	NCB31HK-272X	C CAPACITOR	2700pF 50V K	1	A,B,C,D,E,F,G,H,I,V
	C936	NDC31HJ-5R6X	C CAPACITOR	5.6pF 50V J	1	A,B,C,D,E,F,G,H,I,V
	C937	NCJ11EK-106X-R	C CAPACITOR	10uF 25V	1	A,B,C,D,E,F,G,H,I,V
	C938	NCJ11EK-106X-R	C CAPACITOR	10uF 25V	1	A,B,C,D,E,F,G,H,I,V
	C939	NDC31HJ-100X	C CAPACITOR	10pF 50V J	1	A,B,C,D,E,F,G,H,I,V
	R601	NRSA63J-821X	MG RESISTOR	820Ω 1/16W J	1	A,B,C,D,E,F,G,H,I,V
	R602	NRSA63J-821X	MG RESISTOR	820Ω 1/16W J	1	A,B,C,D,E,F,G,H,I,V
	R603	NRSA63J-122X	MG RESISTOR	1.2kΩ 1/16W J	1	A,B,C,D,E,F,G,H,I,V
	R604	NRSA63J-182X	MG RESISTOR	1.8kΩ 1/16W J	1	A,B,C,D,E,F,G,H,I,V
	R605	NRSA63J-272X	MG RESISTOR	2.7kΩ 1/16W J	1	A,B,C,D,E,F,G,H,I,V
	R607	NRSA63J-821X	MG RESISTOR	820Ω 1/16W J	1	A,B,C,D,E,F,G,H,I,V
	R608	NRSA63J-821X	MG RESISTOR	820Ω 1/16W J	1	A,B,C,D,E,F,G,H,I,V
	R609	NRSA63J-122X	MG RESISTOR	1.2kΩ 1/16W J	1	A,B,C,D,E,F,G,H,I,V
	R610	NRSA63J-182X	MG RESISTOR	1.8kΩ 1/16W J	1	A,B,C,D,E,F,G,H,I,V
	R611	NRSA63J-272X	MG RESISTOR	2.7kΩ 1/16W J	1	A,B,C,D,E,F,G,H,I,V
	R612	NRSA63J-392X	MG RESISTOR	3.9kΩ 1/16W J	1	A,B,C,D,E,F,G,H,I,V
	R613	NRSA63J-103X	MG RESISTOR	10kΩ 1/16W J	1	A,B,C,D,E,F,G,H,I,V
	R630	NRS181J-561X	MG RESISTOR	560Ω 1/8W J	1	G,H,I
	R631	NRS181J-431X	MG RESISTOR	430Ω 1/8W J	1	A,B,C,D,E,F,V
	R631	NRS181J-391X	MG RESISTOR	390Ω 1/8W J	1	G,H,I
	R632	NRS181J-431X	MG RESISTOR	430Ω 1/8W J	1	A,B,C,D,E,F,V
	R632	NRS181J-391X	MG RESISTOR	390Ω 1/8W J	1	G,H,I
	R633	NRS181J-511X	MG RESISTOR	510Ω 1/8W J	1	A,B,C,D,E,F,G,H,I,V
	R634	NRS181J-431X	MG RESISTOR	430Ω 1/8W J	1	A,B,C,D,E,F,V
	R634	NRS181J-391X	MG RESISTOR	390Ω 1/8W J	1	G,H,I
	R635	NRS181J-431X	MG RESISTOR	430Ω 1/8W J	1	A,B,C,D,E,F,G,H,I,V
	R636	NRS181J-821X	MG RESISTOR	820Ω 1/8W J	1	A,B,C,D,E,F,V
	R636	NRS181J-561X	MG RESISTOR	560Ω 1/8W J	1	G,H,I
	R637	NRS181J-431X	MG RESISTOR	430Ω 1/8W J	1	A,B,C,D,E,F,V
	R637	NRS181J-391X	MG RESISTOR	390Ω 1/8W J	1	G,H,I
	R638	NRS181J-821X	MG RESISTOR	820Ω 1/8W J	1	A,B,C,D,E,F,V
	R638	NRS181J-561X	MG RESISTOR	560Ω 1/8W J	1	G,H,I
	R639	NRS181J-561X	MG RESISTOR	560Ω 1/8W J	1	G,H,I
	R648	NRS181J-391X	MG RESISTOR	390Ω 1/8W J	1	A,B,C,D,E,F,V
	R648	NRS181J-821X	MG RESISTOR	820Ω 1/8W J	1	G,H,I
	R649	NRS181J-391X	MG RESISTOR	390Ω 1/8W J	1	A,B,C,D,E,F,V
	R649	NRS181J-821X	MG RESISTOR	820Ω 1/8W J	1	G,H,I
	R650	NRS181J-221X	MG RESISTOR	220Ω 1/8W J	1	A,B,C,D,E,F,V
	R650	NRS181J-101X	MG RESISTOR	100Ω 1/8W J	1	G,H,I
	R651	NRS181J-271X	MG RESISTOR	270Ω 1/8W J	1	A,B,C,D,E,F,V
	R651	NRS181J-101X	MG RESISTOR	100Ω 1/8W J	1	G,H,I
	R652	NRSA63J-472X	MG RESISTOR	4.7kΩ 1/16W J	1	A,B,C,D,E,F,G,H,I,V
	R653	NRS181J-102X	MG RESISTOR	1kΩ 1/8W J	1	A,B,C,D,E,F,G,H,I,V
	R654	NRSA63J-511X	MG RESISTOR	510Ω 1/16W J	1	A,B,C,D,E,F,G,H,I,V
	R660	NRSA63J-394X	MG RESISTOR	390kΩ 1/16W J	1	A,B,C,D,E,F,G,H,I,V
	R661	NRSA63J-102X	MG RESISTOR	1kΩ 1/16W J	1	A,B,C,D,E,F,G,H,I,V
	R662	NRSA63J-102X	MG RESISTOR	1kΩ 1/16W J	1	A,B,C,D,E,F,G,H,I,V
	R663	NRSA63J-102X	MG RESISTOR	1kΩ 1/16W J	1	A,B,C,D,E,F,G,H,I,V
	R664	NRSA63J-224X	MG RESISTOR	220kΩ 1/16W J	1	A,B,C,D,E,F,G,H,I,V
	R665	NRSA63J-101X	MG RESISTOR	100Ω 1/16W J	1	A,B,C,D,E,F,G,H,I,V
	R666	NRSA63J-101X	MG RESISTOR	100Ω 1/16W J	1	A,B,C,D,E,F,G,H,I,V
	R667	NRSA63J-101X	MG RESISTOR	100Ω 1/16W J	1	A,B,C,D,E,F,G,H,I,V
	R672	NRSA63J-0R0X	MG RESISTOR	0Ω 1/10W J	1	A,B,C,D,E,F,G,H,I,V
	R673	NRSA63J-0R0X	MG RESISTOR	0Ω 1/10W J	1	A,B,C,D,E,F,G,H,I,V
	R681	NRSA63J-471X	MG RESISTOR	470Ω 1/16W J	1	D,E,F,G,H,I
	R682	NRSA63J-102X	MG RESISTOR	1kΩ 1/16W J	1	D,E,F,G,H,I
	R690	NRSA63J-103X	MG RESISTOR	10kΩ 1/16W J	1	A,B,C,D,E,F,G,H,I,V
	R931	NRSA63J-432X	MG RESISTOR	4.3kΩ 1/16W J	1	A,B,C,D,E,F,G,H,I,V
	R932	NRSA63J-274X	MG RESISTOR	270kΩ 1/16W J	1	A,B,C,D,E,F,G,H,I,V
	R933	NRSA63J-681X	MG RESISTOR	680Ω 1/16W J	1	A,B,C,D,E,F,G,H,I,V
	R934	NRSA63J-753X	MG RESISTOR	75kΩ 1/16W J	1	A,B,C,D,E,F,G,H,I,V
	R935	NRSA63J-753X	MG RESISTOR	75kΩ 1/16W J	1	A,B,C,D,E,F,G,H,I,V
	R936	NRSA63D-103X	MG RESISTOR	10kΩ 1/16W D	1	A,B,C,D,E,F,G,H,I,V
	R937	NRSA63J-182X	MG RESISTOR	1.8kΩ 1/16W J	1	A,B,C,D,E,F,G,H,I,V
	R938	NRSA63D-513X	MG RESISTOR	51kΩ 1/16W D	1	A,B,C,D,E,F,G,H,I,V
	L601	NQR0007-002X	FERRITE BEADS		1	A,B,C,D,E,F,G,H,I,V
	L602	NQR0007-002X	FERRITE BEADS		1	A,B,C,D,E,F,G,H,I,V
	L603	NQR0007-002X	FERRITE BEADS		1	A,B,C,D,E,F,G,H,I,V
	L691	NQR0536-001X	CHOKO COIL		1	A,B,C,D,E,F,G,H,I,V
	L931	NQL52EM-220X	COIL	22uH M	1	A,B,C,D,E,F,G,H,I,V
	CN601	QGZ1101K1-20	CONNECTOR	(1-20)	1	A,B,C,D,E,F,G,H,I,V
	CN603	QNZ1006-001	USB CONNECTOR		1	A,B,C,D,E,F,G,H,I,V
	CN603	QNZ0963-002	USB CONNECTOR		1	A,B,C,D,E,F,G,H,I,V
	EN601	QSW1231-002	ROTARY ENCODER		1	A,B,C,D,E,F,G,H,I,V
	PJ601	QNS0279-001	3.5 JACK		1	A,B,C,D,E,F,G,H,I,V
	S601	NSW0326-001X	TACT SWITCH		1	A,B,C,D,E,F,G,H,I,V
	S602	NSW0326-001X	TACT SWITCH		1	A,B,C,D,E,F,G,H,I,V
	S603	NSW0326-001X	TACT SWITCH		1	A,B,C,D,E,F,G,H,I,V

MODEL	MARK	MODEL	MARK	MODEL	MARK	MODEL	MARK
KD-R35E	A	KD-R35EY	B	KD-R38EE	C	KD-R411E	D
KD-R411EU	E	KD-R411EY	F	KD-R412E	G	KD-R412EU	H
KD-R412EY	I	KD-R414UI	J	KD-R415U	K	KD-R415UH	L
KD-R415UN	M	KD-R415UT	N	KD-R415UW	O	KD-R416SUN	P
KD-R416U	Q	KD-R416UH	R	KD-R416UN	S	KD-R416UT	T
KD-R416UW	U	KD-R417EE	V	KD-R418J	W	KD-R418UF	X
KD-R419UR	Y	KD-S27J	Z				

Safe	Symbol No.	Parts No.	Parts Name	Description	QTY	Local
	S604	NSW0326-001X	TACT SWITCH		1	A,B,C,D,E,F,G,H,I,V
	S605	NSW0326-001X	TACT SWITCH		1	A,B,C,D,E,F,G,H,I,V
	S606	NSW0326-001X	TACT SWITCH		1	A,B,C,D,E,F,G,H,I,V
	S607	NSW0326-001X	TACT SWITCH		1	A,B,C,D,E,F,G,H,I,V
	S608	NSW0326-001X	TACT SWITCH		1	A,B,C,D,E,F,G,H,I,V
	S609	NSW0326-001X	TACT SWITCH		1	A,B,C,D,E,F,G,H,I,V
	S610	NSW0326-001X	TACT SWITCH		1	A,B,C,D,E,F,G,H,I,V
	S611	NSW0326-001X	TACT SWITCH		1	A,B,C,D,E,F,G,H,I,V
	Mecha control board (FMU-CD6-12D) <05>					
	IC301	MN6627946JE	IC(MCU)		1	A,B,C,D,E,F,G,H,I,J,K,L,M N,O,P,Q,R,S,T,U,V,W,X, Y,Z
	IC302	R1EX24016ASAA-X	IC		1	A,B,C,D,E,F,G,H,I,J,K,L,M N,O,P,Q,R,S,T,U,V,W,X, Y,Z
	IC501	LA6565-X	IC		1	A,B,C,D,E,F,G,H,I,J,K,L,M N,O,P,Q,R,S,T,U,V,W,X, Y,Z
	Q101	2SC3928A/R/-X	TRANSISTOR		1	A,B,C,D,E,F,G,H,I,J,K,L,M N,O,P,Q,R,S,T,U,V,W,X, Y,Z
	Q201	2SC3928A/R/-X	TRANSISTOR		1	A,B,C,D,E,F,G,H,I,J,K,L,M N,O,P,Q,R,S,T,U,V,W,X, Y,Z
	Q211	PS1191RB22/BC/X	PHOTO TRANSISTOR		1	A,B,C,D,E,F,G,H,I,J,K,L,M N,O,P,Q,R,S,T,U,V,W,X, Y,Z
	Q212	PS1191RB22/BC/X	PHOTO TRANSISTOR		1	A,B,C,D,E,F,G,H,I,J,K,L,M N,O,P,Q,R,S,T,U,V,W,X, Y,Z
	Q301	2SA2188/F/-X	TRANSISTOR		1	A,B,C,D,E,F,G,H,I,J,K,L,M N,O,P,Q,R,S,T,U,V,W,X, Y,Z
	Q302	RT1N441C-X	TRANSISTOR		1	A,B,C,D,E,F,G,H,I,J,K,L,M N,O,P,Q,R,S,T,U,V,W,X, Y,Z
	Q501	2SB1424/R/-W	TRANSISTOR		1	A,B,C,D,E,F,G,H,I,J,K,L,M N,O,P,Q,R,S,T,U,V,W,X, Y,Z
	D101	AN1105W21/AB/-X	IR LED		1	A,B,C,D,E,F,G,H,I,J,K,L,M N,O,P,Q,R,S,T,U,V,W,X, Y,Z
	D201	AN1105W21/AB/-X	IR LED		1	A,B,C,D,E,F,G,H,I,J,K,L,M N,O,P,Q,R,S,T,U,V,W,X, Y,Z
	D501	1SR154-400-X	SI DIODE		1	A,B,C,D,E,F,G,H,I,J,K,L,M N,O,P,Q,R,S,T,U,V,W,X, Y,Z
	D502	1SR154-400-X	SI DIODE		1	A,B,C,D,E,F,G,H,I,J,K,L,M N,O,P,Q,R,S,T,U,V,W,X, Y,Z
	D503	1SR154-400-X	SI DIODE		1	A,B,C,D,E,F,G,H,I,J,K,L,M N,O,P,Q,R,S,T,U,V,W,X, Y,Z
	C101	NCB31CK-104X	C CAPACITOR	0.1uF 16V K	1	A,B,C,D,E,F,G,H,I,J,K,L,M N,O,P,Q,R,S,T,U,V,W,X, Y,Z
	C102	NCB31CK-104X	C CAPACITOR	0.1uF 16V K	1	A,B,C,D,E,F,G,H,I,J,K,L,M N,O,P,Q,R,S,T,U,V,W,X, Y,Z
	C103	NCB31CK-104X	C CAPACITOR	0.1uF 16V K	1	A,B,C,D,E,F,G,H,I,J,K,L,M N,O,P,Q,R,S,T,U,V,W,X, Y,Z
	C104	NCB31CK-104X	C CAPACITOR	0.1uF 16V K	1	A,B,C,D,E,F,G,H,I,J,K,L,M N,O,P,Q,R,S,T,U,V,W,X, Y,Z
	C301	NEAF0JM-226X	E CAPACITOR	22uF 6.3V M	1	A,B,C,D,E,F,G,H,I,J,K,L,M N,O,P,Q,R,S,T,U,V,W,X, Y,Z

MODEL	MARK	MODEL	MARK	MODEL	MARK	MODEL	MARK
KD-R35E	A	KD-R35EY	B	KD-R38EE	C	KD-R411E	D
KD-R411EU	E	KD-R411EY	F	KD-R412E	G	KD-R412EU	H
KD-R412EY	I	KD-R414UI	J	KD-R415U	K	KD-R415UH	L
KD-R415UN	M	KD-R415UT	N	KD-R415UW	O	KD-R416SUN	P
KD-R416U	Q	KD-R416UH	R	KD-R416UN	S	KD-R416UT	T
KD-R416UW	U	KD-R417EE	V	KD-R418J	W	KD-R418UF	X
KD-R419UR	Y	KD-S27J	Z				

Safe	Symbol No.	Parts No.	Parts Name	Description	QTY	Local
	C302	NCB31CK-104X	C CAPACITOR	0.1uF 16V K	1	A,B,C,D,E,F,G,H,I,J,K,L,M .N,O,P,Q,R,S,T,U,V,W,X, Y,Z
	C303	NEAF0JM-476X	E CAPACITOR	47uF 6.3V	1	A,B,C,D,E,F,G,H,I,J,K,L,M .N,O,P,Q,R,S,T,U,V,W,X, Y,Z
	C304	NCB31CK-104X	C CAPACITOR	0.1uF 16V K	1	A,B,C,D,E,F,G,H,I,J,K,L,M .N,O,P,Q,R,S,T,U,V,W,X, Y,Z
	C305	NCB31CK-104X	C CAPACITOR	0.1uF 16V K	1	A,B,C,D,E,F,G,H,I,J,K,L,M .N,O,P,Q,R,S,T,U,V,W,X, Y,Z
	C307	NCB31CK-334X	C CAPACITOR	0.33uF 16V K	1	A,B,C,D,E,F,G,H,I,J,K,L,M .N,O,P,Q,R,S,T,U,V,W,X, Y,Z
	C308	NCB31HK-102X	C CAPACITOR	1000pF 50V K	1	A,B,C,D,E,F,G,H,I,J,K,L,M .N,O,P,Q,R,S,T,U,V,W,X, Y,Z
	C309	NCB31EK-823X	C CAPACITOR	0.082uF 25V K	1	A,B,C,D,E,F,G,H,I,J,K,L,M .N,O,P,Q,R,S,T,U,V,W,X, Y,Z
	C310	NCB31HK-102X	C CAPACITOR	1000pF 50V K	1	A,B,C,D,E,F,G,H,I,J,K,L,M .N,O,P,Q,R,S,T,U,V,W,X, Y,Z
	C311	NCB31CK-104X	C CAPACITOR	0.1uF 16V K	1	A,B,C,D,E,F,G,H,I,J,K,L,M .N,O,P,Q,R,S,T,U,V,W,X, Y,Z
	C312	NCB31HK-153X	C CAPACITOR	0.015uF 50V K	1	A,B,C,D,E,F,G,H,I,J,K,L,M .N,O,P,Q,R,S,T,U,V,W,X, Y,Z
	C313	NCJ21CK-475X-R	C CAPACITOR	4.7uF 16V K	1	A,B,C,D,E,F,G,H,I,J,K,L,M .N,O,P,Q,R,S,T,U,V,W,X, Y,Z
	C314	NCB31HK-332X	C CAPACITOR	3300pF 50V K	1	A,B,C,D,E,F,G,H,I,J,K,L,M .N,O,P,Q,R,S,T,U,V,W,X, Y,Z
	C316	NBE20JM-106X	TA E CAPACITOR	10uF 6.3V M	1	A,B,C,D,E,F,G,H,I,J,K,L,M .N,O,P,Q,R,S,T,U,V,W,X, Y,Z
	C317	NCB31HK-223X	C CAPACITOR	0.022uF 50V K	1	A,B,C,D,E,F,G,H,I,J,K,L,M .N,O,P,Q,R,S,T,U,V,W,X, Y,Z
	C319	NCB31CK-334X	C CAPACITOR	0.33uF 16V K	1	A,B,C,D,E,F,G,H,I,J,K,L,M .N,O,P,Q,R,S,T,U,V,W,X, Y,Z
	C321	NCB31HK-272X	C CAPACITOR	2700pF 50V K	1	A,B,C,D,E,F,G,H,I,J,K,L,M .N,O,P,Q,R,S,T,U,V,W,X, Y,Z
	C322	NCB31CK-154X	C CAPACITOR	0.15uF 16V K	1	A,B,C,D,E,F,G,H,I,J,K,L,M .N,O,P,Q,R,S,T,U,V,W,X, Y,Z
	C323	NEAF0JM-476X	E CAPACITOR	47uF 6.3V	1	A,B,C,D,E,F,G,H,I,J,K,L,M .N,O,P,Q,R,S,T,U,V,W,X, Y,Z
	C324	NCB31CK-104X	C CAPACITOR	0.1uF 16V K	1	A,B,C,D,E,F,G,H,I,J,K,L,M .N,O,P,Q,R,S,T,U,V,W,X, Y,Z
	C326	NCB31CK-104X	C CAPACITOR	0.1uF 16V K	1	A,B,C,D,E,F,G,H,I,J,K,L,M .N,O,P,Q,R,S,T,U,V,W,X, Y,Z
	C327	NCB31CK-104X	C CAPACITOR	0.1uF 16V K	1	A,B,C,D,E,F,G,H,I,J,K,L,M .N,O,P,Q,R,S,T,U,V,W,X, Y,Z

MODEL	MARK	MODEL	MARK	MODEL	MARK	MODEL	MARK
KD-R35E	A	KD-R35EY	B	KD-R38EE	C	KD-R411E	D
KD-R411EU	E	KD-R411EY	F	KD-R412E	G	KD-R412EU	H
KD-R412EY	I	KD-R414UI	J	KD-R415U	K	KD-R415UH	L
KD-R415UN	M	KD-R415UT	N	KD-R415UW	O	KD-R416SUN	P
KD-R416U	Q	KD-R416UH	R	KD-R416UN	S	KD-R416UT	T
KD-R416UW	U	KD-R417EE	V	KD-R418J	W	KD-R418UF	X
KD-R419UR	Y	KD-S27J	Z				

Safe	Symbol No.	Parts No.	Parts Name	Description	QTY	Local
	C328	NCB31HK-681X	C CAPACITOR	680pF 50V K	1	A,B,C,D,E,F,G,H,I,J,K,L,M .N,O,P,Q,R,S,T,U,V,W,X, Y,Z
	C329	NCB31CK-104X	C CAPACITOR	0.1uF 16V K	1	A,B,C,D,E,F,G,H,I,J,K,L,M .N,O,P,Q,R,S,T,U,V,W,X, Y,Z
	C331	NCJ20JK-106X-R	C CAPACITOR	10uF 6.3V K	1	A,B,C,D,E,F,G,H,I,J,K,L,M .N,O,P,Q,R,S,T,U,V,W,X, Y,Z
	C334	NCB31CK-104X	C CAPACITOR	0.1uF 16V K	1	A,B,C,D,E,F,G,H,I,J,K,L,M .N,O,P,Q,R,S,T,U,V,W,X, Y,Z
	C335	NCB31CK-104X	C CAPACITOR	0.1uF 16V K	1	A,B,C,D,E,F,G,H,I,J,K,L,M .N,O,P,Q,R,S,T,U,V,W,X, Y,Z
	C337	NCB31CK-104X	C CAPACITOR	0.1uF 16V K	1	A,B,C,D,E,F,G,H,I,J,K,L,M .N,O,P,Q,R,S,T,U,V,W,X, Y,Z
	C338	NCB31CK-104X	C CAPACITOR	0.1uF 16V K	1	A,B,C,D,E,F,G,H,I,J,K,L,M .N,O,P,Q,R,S,T,U,V,W,X, Y,Z
	C339	NCB31CK-104X	C CAPACITOR	0.1uF 16V K	1	A,B,C,D,E,F,G,H,I,J,K,L,M .N,O,P,Q,R,S,T,U,V,W,X, Y,Z
	C345	NCB31CK-104X	C CAPACITOR	0.1uF 16V K	1	A,B,C,D,E,F,G,H,I,J,K,L,M .N,O,P,Q,R,S,T,U,V,W,X, Y,Z
	C346	NCB31CK-104X	C CAPACITOR	0.1uF 16V K	1	A,B,C,D,E,F,G,H,I,J,K,L,M .N,O,P,Q,R,S,T,U,V,W,X, Y,Z
	C351	NDC31HJ-270X	C CAPACITOR	27pF 50V J	1	A,B,C,D,E,F,G,H,I,J,K,L,M .N,O,P,Q,R,S,T,U,V,W,X, Y,Z
	C352	NDC31HJ-270X	C CAPACITOR	27pF 50V J	1	A,B,C,D,E,F,G,H,I,J,K,L,M .N,O,P,Q,R,S,T,U,V,W,X, Y,Z
	C373	NCB31CK-104X	C CAPACITOR	0.1uF 16V K	1	A,B,C,D,E,F,G,H,I,J,K,L,M .N,O,P,Q,R,S,T,U,V,W,X, Y,Z
	C393	NCB31CK-104X	C CAPACITOR	0.1uF 16V K	1	A,B,C,D,E,F,G,H,I,J,K,L,M .N,O,P,Q,R,S,T,U,V,W,X, Y,Z
	C394	NCB31CK-104X	C CAPACITOR	0.1uF 16V K	1	A,B,C,D,E,F,G,H,I,J,K,L,M .N,O,P,Q,R,S,T,U,V,W,X, Y,Z
	C395	NCB31CK-104X	C CAPACITOR	0.1uF 16V K	1	A,B,C,D,E,F,G,H,I,J,K,L,M .N,O,P,Q,R,S,T,U,V,W,X, Y,Z
	C501	NEHN1EM-476X	E CAPACITOR	47uF 25V M	1	A,B,C,D,E,F,G,H,I,J,K,L,M .N,O,P,Q,R,S,T,U,V,W,X, Y,Z
	C502	NCB31CK-104X	C CAPACITOR	0.1uF 16V K	1	A,B,C,D,E,F,G,H,I,J,K,L,M .N,O,P,Q,R,S,T,U,V,W,X, Y,Z
	C503	NDC31HJ-680X	C CAPACITOR	68pF 50V J	1	A,B,C,D,E,F,G,H,I,J,K,L,M .N,O,P,Q,R,S,T,U,V,W,X, Y,Z
	C511	NCB31HK-682X	C CAPACITOR	6800pF 50V K	1	A,B,C,D,E,F,G,H,I,J,K,L,M .N,O,P,Q,R,S,T,U,V,W,X, Y,Z
	C512	NCB31HK-222X	C CAPACITOR	2200pF 50V K	1	A,B,C,D,E,F,G,H,I,J,K,L,M .N,O,P,Q,R,S,T,U,V,W,X, Y,Z
	C513	NCB31HK-562X	C CAPACITOR	5600pF 50V K	1	A,B,C,D,E,F,G,H,I,J,K,L,M .N,O,P,Q,R,S,T,U,V,W,X, Y,Z

MODEL	MARK	MODEL	MARK	MODEL	MARK	MODEL	MARK
KD-R35E	A	KD-R35EY	B	KD-R38EE	C	KD-R411E	D
KD-R411EU	E	KD-R411EY	F	KD-R412E	G	KD-R412EU	H
KD-R412EY	I	KD-R414UI	J	KD-R415U	K	KD-R415UH	L
KD-R415UN	M	KD-R415UT	N	KD-R415UW	O	KD-R416SUN	P
KD-R416U	Q	KD-R416UH	R	KD-R416UN	S	KD-R416UT	T
KD-R416UW	U	KD-R417EE	V	KD-R418J	W	KD-R418UF	X
KD-R419UR	Y	KD-S27J	Z				

Safe	Symbol No.	Parts No.	Parts Name	Description	QTY	Local
	C514	NCB31HK-222X	C CAPACITOR	2200pF 50V K	1	A,B,C,D,E,F,G,H,I,J,K,L,M N,O,P,Q,R,S,T,U,V,W,X, Y,Z
	C531	NEHL0JM-107X	E CAPACITOR	100uF 6.3V M	1	A,B,C,D,E,F,G,H,I,J,K,L,M N,O,P,Q,R,S,T,U,V,W,X, Y,Z
	C532	NCB31CK-104X	C CAPACITOR	0.1uF 16V K	1	A,B,C,D,E,F,G,H,I,J,K,L,M N,O,P,Q,R,S,T,U,V,W,X, Y,Z
	C534	NCB31HK-102X	C CAPACITOR	1000pF 50V K	1	A,B,C,D,E,F,G,H,I,J,K,L,M N,O,P,Q,R,S,T,U,V,W,X, Y,Z
	C551	NEHN1AM-107X	E CAPACITOR	100uF 10V M	1	A,B,C,D,E,F,G,H,I,J,K,L,M N,O,P,Q,R,S,T,U,V,W,X, Y,Z
	R101	NRSA63J-391X	MG RESISTOR	390Ω 1/16W J	1	A,B,C,D,E,F,G,H,I,J,K,L,M N,O,P,Q,R,S,T,U,V,W,X, Y,Z
	R102	NRSA63J-822X	MG RESISTOR	8.2kΩ 1/16W J	1	A,B,C,D,E,F,G,H,I,J,K,L,M N,O,P,Q,R,S,T,U,V,W,X, Y,Z
	R103	NRSA63J-184X	MG RESISTOR	180kΩ 1/16W J	1	A,B,C,D,E,F,G,H,I,J,K,L,M N,O,P,Q,R,S,T,U,V,W,X, Y,Z
	R104	NRSA63J-184X	MG RESISTOR	180kΩ 1/16W J	1	A,B,C,D,E,F,G,H,I,J,K,L,M N,O,P,Q,R,S,T,U,V,W,X, Y,Z
	R105	NRSA63J-183X	MG RESISTOR	18kΩ 1/16W J	1	A,B,C,D,E,F,G,H,I,J,K,L,M N,O,P,Q,R,S,T,U,V,W,X, Y,Z
	R201	NRSA63J-391X	MG RESISTOR	390Ω 1/16W J	1	A,B,C,D,E,F,G,H,I,J,K,L,M N,O,P,Q,R,S,T,U,V,W,X, Y,Z
	R203	NRSA63J-184X	MG RESISTOR	180kΩ 1/16W J	1	A,B,C,D,E,F,G,H,I,J,K,L,M N,O,P,Q,R,S,T,U,V,W,X, Y,Z
	R204	NRSA63J-184X	MG RESISTOR	180kΩ 1/16W J	1	A,B,C,D,E,F,G,H,I,J,K,L,M N,O,P,Q,R,S,T,U,V,W,X, Y,Z
	R205	NRSA63J-153X	MG RESISTOR	15kΩ 1/16W J	1	A,B,C,D,E,F,G,H,I,J,K,L,M N,O,P,Q,R,S,T,U,V,W,X, Y,Z
	R206	NRSA63J-473X	MG RESISTOR	47kΩ 1/16W J	1	A,B,C,D,E,F,G,H,I,J,K,L,M N,O,P,Q,R,S,T,U,V,W,X, Y,Z
	R207	NRSA63J-473X	MG RESISTOR	47kΩ 1/16W J	1	A,B,C,D,E,F,G,H,I,J,K,L,M N,O,P,Q,R,S,T,U,V,W,X, Y,Z
	R214	NRSA63D-153X	MG RESISTOR	15kΩ 1/16W D	1	A,B,C,D,E,F,G,H,I,J,K,L,M N,O,P,Q,R,S,T,U,V,W,X, Y,Z
	R215	NRSA63D-153X	MG RESISTOR	15kΩ 1/16W D	1	A,B,C,D,E,F,G,H,I,J,K,L,M N,O,P,Q,R,S,T,U,V,W,X, Y,Z
	R216	NRS181F-300X	MG RESISTOR	30Ω 1/8W F	1	A,B,C,D,E,F,G,H,I,J,K,L,M N,O,P,Q,R,S,T,U,V,W,X, Y,Z
	R217	NRS181F-300X	MG RESISTOR	30Ω 1/8W F	1	A,B,C,D,E,F,G,H,I,J,K,L,M N,O,P,Q,R,S,T,U,V,W,X, Y,Z
	R241	NRSA63J-473X	MG RESISTOR	47kΩ 1/16W J	1	A,B,C,D,E,F,G,H,I,J,K,L,M N,O,P,Q,R,S,T,U,V,W,X, Y,Z
	R242	NRSA63J-102X	MG RESISTOR	1kΩ 1/16W J	1	A,B,C,D,E,F,G,H,I,J,K,L,M N,O,P,Q,R,S,T,U,V,W,X, Y,Z

MODEL	MARK	MODEL	MARK	MODEL	MARK	MODEL	MARK
KD-R35E	A	KD-R35EY	B	KD-R38EE	C	KD-R411E	D
KD-R411EU	E	KD-R411EY	F	KD-R412E	G	KD-R412EU	H
KD-R412EY	I	KD-R414UI	J	KD-R415U	K	KD-R415UH	L
KD-R415UN	M	KD-R415UT	N	KD-R415UW	O	KD-R416SUN	P
KD-R416U	Q	KD-R416UH	R	KD-R416UN	S	KD-R416UT	T
KD-R416UW	U	KD-R417EE	V	KD-R418J	W	KD-R418UF	X
KD-R419UR	Y	KD-S27J	Z				

Safe	Symbol No.	Parts No.	Parts Name	Description	QTY	Local
	R246	NRSA63J-0R0X	MG RESISTOR	0Ω 1/10W J	1	A,B,C,D,E,F,G,H,I,J,K,L,M N,O,P,Q,R,S,T,U,V,W,X, Y,Z
	R301	NRSA63J-100X	MG RESISTOR	10Ω 1/16W J	1	A,B,C,D,E,F,G,H,I,J,K,L,M N,O,P,Q,R,S,T,U,V,W,X, Y,Z
	R302	NRSA63J-473X	MG RESISTOR	47kΩ 1/16W J	1	A,B,C,D,E,F,G,H,I,J,K,L,M N,O,P,Q,R,S,T,U,V,W,X, Y,Z
	R304	NRSA63J-100X	MG RESISTOR	10Ω 1/16W J	1	A,B,C,D,E,F,G,H,I,J,K,L,M N,O,P,Q,R,S,T,U,V,W,X, Y,Z
	R307	NRSA63J-102X	MG RESISTOR	1kΩ 1/16W J	1	A,B,C,D,E,F,G,H,I,J,K,L,M N,O,P,Q,R,S,T,U,V,W,X, Y,Z
	R310	NRSA63J-473X	MG RESISTOR	47kΩ 1/16W J	1	A,B,C,D,E,F,G,H,I,J,K,L,M N,O,P,Q,R,S,T,U,V,W,X, Y,Z
	R311	NRSA63J-101X	MG RESISTOR	100Ω 1/16W J	1	A,B,C,D,E,F,G,H,I,J,K,L,M N,O,P,Q,R,S,T,U,V,W,X, Y,Z
	R312	NRSA63J-101X	MG RESISTOR	100Ω 1/16W J	1	A,B,C,D,E,F,G,H,I,J,K,L,M N,O,P,Q,R,S,T,U,V,W,X, Y,Z
	R313	NRSA63J-101X	MG RESISTOR	100Ω 1/16W J	1	A,B,C,D,E,F,G,H,I,J,K,L,M N,O,P,Q,R,S,T,U,V,W,X, Y,Z
	R314	NRSA63J-272X	MG RESISTOR	2.7kΩ 1/16W J	1	A,B,C,D,E,F,G,H,I,J,K,L,M N,O,P,Q,R,S,T,U,V,W,X, Y,Z
	R315	NRSA63J-821X	MG RESISTOR	820Ω 1/16W J	1	A,B,C,D,E,F,G,H,I,J,K,L,M N,O,P,Q,R,S,T,U,V,W,X, Y,Z
	R316	NRSA63J-823X	MG RESISTOR	82kΩ 1/16W J	1	A,B,C,D,E,F,G,H,I,J,K,L,M N,O,P,Q,R,S,T,U,V,W,X, Y,Z
	R318	NRSA63J-473X	MG RESISTOR	47kΩ 1/16W J	1	A,B,C,D,E,F,G,H,I,J,K,L,M N,O,P,Q,R,S,T,U,V,W,X, Y,Z
	R321	NRSA63J-0R0X	MG RESISTOR	0Ω 1/10W J	1	A,B,C,D,E,F,G,H,I,J,K,L,M N,O,P,Q,R,S,T,U,V,W,X, Y,Z
	R322	NRSA63J-822X	MG RESISTOR	8.2kΩ 1/16W J	1	A,B,C,D,E,F,G,H,I,J,K,L,M N,O,P,Q,R,S,T,U,V,W,X, Y,Z
	R323	NRSA63J-822X	MG RESISTOR	8.2kΩ 1/16W J	1	A,B,C,D,E,F,G,H,I,J,K,L,M N,O,P,Q,R,S,T,U,V,W,X, Y,Z
	R324	NRSA63J-473X	MG RESISTOR	47kΩ 1/16W J	1	A,B,C,D,E,F,G,H,I,J,K,L,M N,O,P,Q,R,S,T,U,V,W,X, Y,Z
	R325	NRSA02F-100X	MG RESISTOR	10Ω 1/10W F	1	A,B,C,D,E,F,G,H,I,J,K,L,M N,O,P,Q,R,S,T,U,V,W,X, Y,Z
	R326	NRSA02F-100X	MG RESISTOR	10Ω 1/10W F	1	A,B,C,D,E,F,G,H,I,J,K,L,M N,O,P,Q,R,S,T,U,V,W,X, Y,Z
	R330	NRSA63J-473X	MG RESISTOR	47kΩ 1/16W J	1	A,B,C,D,E,F,G,H,I,J,K,L,M N,O,P,Q,R,S,T,U,V,W,X, Y,Z
	R331	NRSA63J-151X	MG RESISTOR	150Ω 1/16W J	1	A,B,C,D,E,F,G,H,I,J,K,L,M N,O,P,Q,R,S,T,U,V,W,X, Y,Z
	R332	NRSA63J-105X	MG RESISTOR	1MΩ 1/16W J	1	A,B,C,D,E,F,G,H,I,J,K,L,M N,O,P,Q,R,S,T,U,V,W,X, Y,Z

MODEL	MARK	MODEL	MARK	MODEL	MARK	MODEL	MARK
KD-R35E	A	KD-R35EY	B	KD-R38EE	C	KD-R411E	D
KD-R411EU	E	KD-R411EY	F	KD-R412E	G	KD-R412EU	H
KD-R412EY	I	KD-R414UI	J	KD-R415U	K	KD-R415UH	L
KD-R415UN	M	KD-R415UT	N	KD-R415UW	O	KD-R416SUN	P
KD-R416U	Q	KD-R416UH	R	KD-R416UN	S	KD-R416UT	T
KD-R416UW	U	KD-R417EE	V	KD-R418J	W	KD-R418UF	X
KD-R419UR	Y	KD-S27J	Z				

Safe	Symbol No.	Parts No.	Parts Name	Description	QTY	Local
	R333	NRSA63J-101X	MG RESISTOR	100Ω 1/16W J	1	A,B,C,D,E,F,G,H,I,J,K,L,M .N,O,P,Q,R,S,T,U,V,W,X, Y,Z
	R335	NRSA63J-473X	MG RESISTOR	47kΩ 1/16W J	1	A,B,C,D,E,F,G,H,I,J,K,L,M .N,O,P,Q,R,S,T,U,V,W,X, Y,Z
	R336	NRSA63J-330X	MG RESISTOR	33Ω 1/16W J	1	A,B,C,D,E,F,G,H,I,J,K,L,M .N,O,P,Q,R,S,T,U,V,W,X, Y,Z
	R349	NRSA63J-0R0X	MG RESISTOR	0Ω 1/10W J	1	A,B,C,D,E,F,G,H,I,J,K,L,M .N,O,P,Q,R,S,T,U,V,W,X, Y,Z
	R362	NRSA63J-221X	MG RESISTOR	220Ω 1/16W J	1	A,B,C,D,E,F,G,H,I,J,K,L,M .N,O,P,Q,R,S,T,U,V,W,X, Y,Z
	R501	NRS125J-100X	MG RESISTOR	10Ω 1/2W J	1	A,B,C,D,E,F,G,H,I,J,K,L,M .N,O,P,Q,R,S,T,U,V,W,X, Y,Z
	R503	NRSA63J-822X	MG RESISTOR	8.2kΩ 1/16W J	1	A,B,C,D,E,F,G,H,I,J,K,L,M .N,O,P,Q,R,S,T,U,V,W,X, Y,Z
	R504	NRSA63J-512X	MG RESISTOR	5.1kΩ 1/16W J	1	A,B,C,D,E,F,G,H,I,J,K,L,M .N,O,P,Q,R,S,T,U,V,W,X, Y,Z
	R505	NRSA63J-333X	MG RESISTOR	33kΩ 1/16W J	1	A,B,C,D,E,F,G,H,I,J,K,L,M .N,O,P,Q,R,S,T,U,V,W,X, Y,Z
	R506	NRSA63J-683X	MG RESISTOR	68kΩ 1/16W J	1	A,B,C,D,E,F,G,H,I,J,K,L,M .N,O,P,Q,R,S,T,U,V,W,X, Y,Z
	R507	NRSA63J-682X	MG RESISTOR	6.8kΩ 1/16W J	1	A,B,C,D,E,F,G,H,I,J,K,L,M .N,O,P,Q,R,S,T,U,V,W,X, Y,Z
	R508	NRSA63J-153X	MG RESISTOR	15kΩ 1/16W J	1	A,B,C,D,E,F,G,H,I,J,K,L,M .N,O,P,Q,R,S,T,U,V,W,X, Y,Z
	R509	NRSA63J-103X	MG RESISTOR	10kΩ 1/16W J	1	A,B,C,D,E,F,G,H,I,J,K,L,M .N,O,P,Q,R,S,T,U,V,W,X, Y,Z
	R510	NRSA63J-333X	MG RESISTOR	33kΩ 1/16W J	1	A,B,C,D,E,F,G,H,I,J,K,L,M .N,O,P,Q,R,S,T,U,V,W,X, Y,Z
	R511	NRSA63J-103X	MG RESISTOR	10kΩ 1/16W J	1	A,B,C,D,E,F,G,H,I,J,K,L,M .N,O,P,Q,R,S,T,U,V,W,X, Y,Z
	R512	NRSA63J-153X	MG RESISTOR	15kΩ 1/16W J	1	A,B,C,D,E,F,G,H,I,J,K,L,M .N,O,P,Q,R,S,T,U,V,W,X, Y,Z
	R513	NRSA63J-222X	MG RESISTOR	2.2kΩ 1/16W J	1	A,B,C,D,E,F,G,H,I,J,K,L,M .N,O,P,Q,R,S,T,U,V,W,X, Y,Z
	R514	NRSA63J-682X	MG RESISTOR	6.8kΩ 1/16W J	1	A,B,C,D,E,F,G,H,I,J,K,L,M .N,O,P,Q,R,S,T,U,V,W,X, Y,Z
	R515	NRSA63J-562X	MG RESISTOR	5.6kΩ 1/16W J	1	A,B,C,D,E,F,G,H,I,J,K,L,M .N,O,P,Q,R,S,T,U,V,W,X, Y,Z
	R516	NRSA63J-562X	MG RESISTOR	5.6kΩ 1/16W J	1	A,B,C,D,E,F,G,H,I,J,K,L,M .N,O,P,Q,R,S,T,U,V,W,X, Y,Z
	R519	NRSA63J-822X	MG RESISTOR	8.2kΩ 1/16W J	1	A,B,C,D,E,F,G,H,I,J,K,L,M .N,O,P,Q,R,S,T,U,V,W,X, Y,Z
	R520	NRSA63J-822X	MG RESISTOR	8.2kΩ 1/16W J	1	A,B,C,D,E,F,G,H,I,J,K,L,M .N,O,P,Q,R,S,T,U,V,W,X, Y,Z

MODEL	MARK	MODEL	MARK	MODEL	MARK	MODEL	MARK
KD-R35E	A	KD-R35EY	B	KD-R38EE	C	KD-R411E	D
KD-R411EU	E	KD-R411EY	F	KD-R412E	G	KD-R412EU	H
KD-R412EY	I	KD-R414UI	J	KD-R415U	K	KD-R415UH	L
KD-R415UN	M	KD-R415UT	N	KD-R415UW	O	KD-R416SUN	P
KD-R416U	Q	KD-R416UH	R	KD-R416UN	S	KD-R416UT	T
KD-R416UW	U	KD-R417EE	V	KD-R418J	W	KD-R418UF	X
KD-R419UR	Y	KD-S27J	Z				

Safe	Symbol No.	Parts No.	Parts Name	Description	QTY	Local
	R521	NRSA63J-822X	MG RESISTOR	8.2kΩ 1/16W J	1	A,B,C,D,E,F,G,H,I,J,K,L,M N,O,P,Q,R,S,T,U,V,W,X, Y,Z
	R522	NRSA63J-822X	MG RESISTOR	8.2kΩ 1/16W J	1	A,B,C,D,E,F,G,H,I,J,K,L,M N,O,P,Q,R,S,T,U,V,W,X, Y,Z
	R523	NRSA63J-822X	MG RESISTOR	8.2kΩ 1/16W J	1	A,B,C,D,E,F,G,H,I,J,K,L,M N,O,P,Q,R,S,T,U,V,W,X, Y,Z
	R524	NRSA63J-822X	MG RESISTOR	8.2kΩ 1/16W J	1	A,B,C,D,E,F,G,H,I,J,K,L,M N,O,P,Q,R,S,T,U,V,W,X, Y,Z
	R525	NRSA63J-473X	MG RESISTOR	47kΩ 1/16W J	1	A,B,C,D,E,F,G,H,I,J,K,L,M N,O,P,Q,R,S,T,U,V,W,X, Y,Z
	CN101	QGB2027L5-28X	CONNECTOR	B-B (1-28)	1	A,B,C,D,E,F,G,H,I,J,K,L,M N,O,P,Q,R,S,T,U,V,W,X, Y,Z
	CN102	QGF0522F3-15W	CONNECTOR	FFC/FPC (1-15)	1	A,B,C,D,E,F,G,H,I,J,K,L,M N,O,P,Q,R,S,T,U,V,W,X, Y,Z
	K101	NRSA63J-0R0X	MG RESISTOR	0Ω 1/10W J	1	A,B,C,D,E,F,G,H,I,J,K,L,M N,O,P,Q,R,S,T,U,V,W,X, Y,Z
	K102	NRSA63J-0R0X	MG RESISTOR	0Ω 1/10W J	1	A,B,C,D,E,F,G,H,I,J,K,L,M N,O,P,Q,R,S,T,U,V,W,X, Y,Z
	K103	NRSA63J-0R0X	MG RESISTOR	0Ω 1/10W J	1	A,B,C,D,E,F,G,H,I,J,K,L,M N,O,P,Q,R,S,T,U,V,W,X, Y,Z
	SW1	NSW0291-001X	DETECT SWITCH		1	A,B,C,D,E,F,G,H,I,J,K,L,M N,O,P,Q,R,S,T,U,V,W,X, Y,Z
	X301	NAX0566-001X	C RESONATOR	16.934MHz	1	A,B,C,D,E,F,G,H,I,J,K,L,M N,O,P,Q,R,S,T,U,V,W,X, Y,Z
	X302	NAX0367-001X	CRYSTAL		1	A,B,C,D,E,F,G,H,I,J,K,L,M N,O,P,Q,R,S,T,U,V,W,X, Y,Z

Main board R416SUN,R419UR<06>

△	IC1	TEF6606T/V5-X	IC		1	P,Y
	IC161	TDA7718N-X	IC		1	P,Y
△	IC301	TB2926CHQK	IC		1	P
△	IC301	TB2926CHQ	IC		1	Y
	IC381	NJM2160BV-X	IC		1	P
	IC581	NJM4565E-X	IC		1	P,Y
△	IC701	MN101E16KEK	IC(MCU)		1	P,Y
	IC702	S-80824CNNB-G-W	IC		1	P,Y
	IC702	or IC-PST3424U-X	IC		1	P
	IC771	R1EX24002ASAA-X	IC		1	P,Y
△	IC901	R2S25400DS-E	IC		1	P,Y
	IC951	XC6213B332NG-X	IC		1	P,Y
	Q331	IMX9-W	PAIR TRANSISTOR		1	P,Y
	Q701	RT1N141C-X	DIGI TRANSISTOR		1	P,Y
	Q701	or UN2211-X	TRANSISTOR		1	P
	Q781	RT1P141C-X	DIGI TRANSISTOR		1	P,Y
	Q781	or UN2111-X	TRANSISTOR		1	P
	Q782	2SC1623A/5-6/-X	TRANSISTOR		1	P,Y
	Q782	or 2SC3928A/QR/-X	TRANSISTOR		1	P
	Q784	RT1P141C-X	DIGI TRANSISTOR		1	P,Y
	Q784	or UN2111-X	TRANSISTOR		1	P
	Q921	2SB1132/QR/-W	TRANSISTOR		1	P
	Q922	RT1N141C-X	DIGI TRANSISTOR		1	P
	Q922	or UN2211-X	TRANSISTOR		1	P
	Q976	RT1N141C-X	DIGI TRANSISTOR		1	P,Y
	Q976	or UN2211-X	TRANSISTOR		1	P
	Q977	2SA812A/5-6/-X	TRANSISTOR		1	P,Y
	Q977	or ISA1530AC1/QR/X	TRANSISTOR		1	P
	Q978	2SC1623A/5-6/-X	TRANSISTOR		1	P,Y
	Q978	or 2SC3928A/QR/-X	TRANSISTOR		1	P
	D331	BAW56-TP-X	SI DIODE		1	P
	D331	MC2836-X	DIODE		1	Y
	D331	or MC2836-X	DIODE		1	P

MODEL	MARK	MODEL	MARK	MODEL	MARK	MODEL	MARK
KD-R35E	A	KD-R35EY	B	KD-R38EE	C	KD-R411E	D
KD-R411EU	E	KD-R411EY	F	KD-R412E	G	KD-R412EU	H
KD-R412EY	I	KD-R414UI	J	KD-R415U	K	KD-R415UH	L
KD-R415UN	M	KD-R415UT	N	KD-R415UW	O	KD-R416SUN	P
KD-R416U	Q	KD-R416UH	R	KD-R416UN	S	KD-R416UT	T
KD-R416UW	U	KD-R417EE	V	KD-R418J	W	KD-R418UF	X
KD-R419UR	Y	KD-S27J	Z				

Safe	Symbol No.	Parts No.	Parts Name	Description	QTY	Local
	D712	HSU119-X	SI DIODE		1	P,Y
	D712	or MA111-X	SI DIODE		1	P
	D715	RKZ5.1B2KG-X	Z DIODE		1	P,Y
	D716	RKZ5.1B2KG-X	Z DIODE		1	P,Y
	D717	RKZ5.1B2KG-X	Z DIODE		1	P,Y
	D718	RKZ5.1B2KG-X	Z DIODE		1	P,Y
	D781	HSU119-X	SI DIODE		1	P,Y
	D781	or MA111-X	SI DIODE		1	P
	D782	NRSA02J-0R0X	MG RESISTOR	0Ω 1/10W J	1	P,Y
	D784	RKZ10B2KG-X	Z DIODE		1	P,Y
	D784	or MA8100/M/-X	Z DIODE		1	P
	D851	MBRX130-TP-X	SB DIODE		1	P
	D851	or MA22D23-X	SB DIODE		1	P
	D852	MBRX130-TP-X	SB DIODE		1	P
	D852	or MA22D23-X	SB DIODE		1	P
	D901	1N5401-BPC04	SI DIODE		1	P
	D901	1N5401-04	SI DIODE		1	Y
	D901	or 1N5401-04	SI DIODE		1	P
	D903	HSU119-X	SI DIODE		1	P,Y
	D903	or MA111-X	SI DIODE		1	P
	D971	MBRX130-TP-X	SB DIODE		1	P,Y
	D971	or MA22D23-X	SB DIODE		1	P
	D972	MBRX130-TP-X	SB DIODE		1	P,Y
	D972	or MA22D23-X	SB DIODE		1	P
	C1	NCB31HK-102X	C CAPACITOR	1000pF 50V K	1	P,Y
	C2	NDC31HJ-7R0X	C CAPACITOR	7pF 50V J	1	P,Y
	C3	NCB31HK-102X	C CAPACITOR	1000pF 50V K	1	P,Y
	C4	NCB31CK-224X	C CAPACITOR	0.22uF 16V K	1	P,Y
	C5	NDC31HJ-150X	C CAPACITOR	15pF 50V J	1	P,Y
	C7	NDC31HJ-220X	C CAPACITOR	22pF 50V J	1	P,Y
	C8	NCJ11EK-106X-A	C CAPACITOR	10uF 25V K	1	P,Y
	C10	NCB21EK-105X	C CAPACITOR	1uF 25V K	1	P,Y
	C11	NCB31HK-103X	C CAPACITOR	0.01uF 50V K	1	P,Y
	C12	NCB31HK-103X	C CAPACITOR	0.01uF 50V K	1	P,Y
	C13	NCB21EK-105X	C CAPACITOR	1uF 25V K	1	P,Y
	C14	NCB31CK-224X	C CAPACITOR	0.22uF 16V K	1	P,Y
	C15	NCB31CK-104X	C CAPACITOR	0.1uF 16V K	1	P,Y
	C16	NCB31HK-103X	C CAPACITOR	0.01uF 50V K	1	P,Y
	C17	NCB31CK-104X	C CAPACITOR	0.1uF 16V K	1	P,Y
	C18	NCB31HK-103X	C CAPACITOR	0.01uF 50V K	1	P,Y
	C19	NCB31CK-104X	C CAPACITOR	0.1uF 16V K	1	P,Y
	C22	NDC31HJ-120X	C CAPACITOR	12pF 50V J	1	P,Y
	C23	NCB31CK-104X	C CAPACITOR	0.1uF 16V K	1	P,Y
	C24	NCB31HK-103X	C CAPACITOR	0.01uF 50V K	1	P,Y
	C25	NCB31HK-103X	C CAPACITOR	0.01uF 50V K	1	P,Y
	C27	QEKJ1EM-106Z	E CAPACITOR	10uF 25V M	1	P,Y
	C33	NDC31HJ-5R6X	C CAPACITOR	5.6pF 50V J	1	P,Y
	C162	NCB31CK-105X	C CAPACITOR	1uF 16V K	1	P,Y
	C163	QTE1H64-225Z	E CAPACITOR	2.2uF 50V	1	P,Y
	C164	NCB31CK-105X	C CAPACITOR	1uF 16V K	1	P,Y
	C165	NCB31CK-105X	C CAPACITOR	1uF 16V K	1	P,Y
	C168	NCB31CK-105X	C CAPACITOR	1uF 16V K	1	P,Y
	C172	NCB31CK-105X	C CAPACITOR	1uF 16V K	1	P,Y
	C173	QTE1H64-225Z	E CAPACITOR	2.2uF 50V	1	P,Y
	C174	NCB31CK-105X	C CAPACITOR	1uF 16V K	1	P,Y
	C176	QTE1H57-335Z	E CAPACITOR	3.3uF 50V	1	P,Y
	C177	NDC31HJ-560X	C CAPACITOR	56pF 50V J	1	P,Y
	C178	QTE1C57-106Z	E CAPACITOR	10uF 16V	1	P,Y
	C184	NCB31CK-104X	C CAPACITOR	0.1uF 16V K	1	P,Y
	C301	QTE1C66-474Z	E CAPACITOR	0.47uF 16V	1	P,Y
	C302	QTE1C66-474Z	E CAPACITOR	0.47uF 16V	1	P,Y
	C303	NCB21CK-474X-A	C CAPACITOR	0.47uF 16V K	1	P,Y
	C304	NCB21CK-474X-A	C CAPACITOR	0.47uF 16V K	1	P,Y
	C311	QTE1C66-474Z	E CAPACITOR	0.47uF 16V	1	P,Y
	C312	QTE1C66-474Z	E CAPACITOR	0.47uF 16V	1	P,Y
	C313	NCB21CK-474X-A	C CAPACITOR	0.47uF 16V K	1	P,Y
	C314	NCB21CK-474X-A	C CAPACITOR	0.47uF 16V K	1	P,Y
	C315	NCB31CK-105X	C CAPACITOR	1uF 16V K	1	P,Y
	C316	QEKJ1HM-475Z	E CAPACITOR	4.7uF 50V M	1	P,Y
	C317	QTE1C57-226Z	E CAPACITOR	22uF 16V	1	P,Y
	C326	QERF1CM-106Z-E	E CAPACITOR	10uF 16V M	1	P,Y
	C327	NCB21AK-105X-A	C CAPACITOR	1uF 10V K	1	P,Y
	C383	QEKJ1HM-475Z	E CAPACITOR	4.7uF 50V M	1	P
	C384	QEKJ1HM-475Z	E CAPACITOR	4.7uF 50V M	1	P
	C385	NCB31HK-104X	C CAPACITOR	0.1uF 50V K	1	P
	C386	NCB31HK-104X	C CAPACITOR	0.1uF 50V K	1	P
	C387	NCB31HK-152X	C CAPACITOR	1500pF 50V K	1	P
	C388	NCB31HK-152X	C CAPACITOR	1500pF 50V K	1	P
	C389	QEKJ1CM-107Z	E CAPACITOR	100uF 16V M	1	P
	C390	QEKJ1CM-107Z	E CAPACITOR	100uF 16V M	1	P
	C392	QEKJ1CM-106Z	E CAPACITOR	10uF 16V M	1	P
	C393	QEKJ1HM-475Z	E CAPACITOR	4.7uF 50V M	1	P,Y
	C394	QEKJ1HM-475Z	E CAPACITOR	4.7uF 50V M	1	P,Y
	C583	NCB31HK-821X	C CAPACITOR	820pF 50V K	1	P,Y

MODEL	MARK	MODEL	MARK	MODEL	MARK	MODEL	MARK
KD-R35E	A	KD-R35EY	B	KD-R38EE	C	KD-R411E	D
KD-R411EU	E	KD-R411EY	F	KD-R412E	G	KD-R412EU	H
KD-R412EY	I	KD-R414UI	J	KD-R415U	K	KD-R415UH	L
KD-R415UN	M	KD-R415UT	N	KD-R415UW	O	KD-R416SUN	P
KD-R416U	Q	KD-R416UH	R	KD-R416UN	S	KD-R416UT	T
KD-R416UW	U	KD-R417EE	V	KD-R418J	W	KD-R418UF	X
KD-R419UR	Y	KD-S27J	Z				

Safe	Symbol No.	Parts No.	Parts Name	Description	QTY	Local
	C584	NCB31HK-821X	C CAPACITOR	820pF 50V K	1	P,Y
	C585	QTE1H57-475Z	E CAPACITOR	4.7uF 50V	1	P,Y
	C586	QTE1H57-475Z	E CAPACITOR	4.7uF 50V	1	P,Y
	C587	NDC31HJ-151X	C CAPACITOR	150pF 50V J	1	P,Y
	C588	NDC31HJ-151X	C CAPACITOR	150pF 50V J	1	P,Y
	C590	QTE0J57-476Z	E CAPACITOR	47uF 6.3V	1	P,Y
	C591	QTE1A57-107Z	E CAPACITOR	100uF 10V	1	P,Y
	C592	NCB31HK-104X	C CAPACITOR	0.1uF 50V K	1	P,Y
	C703	NDC31HJ-8R0X	C CAPACITOR	8pF 50V J	1	P,Y
	C704	NDC31HJ-9R0X	C CAPACITOR	9pF 50V J	1	P,Y
	C707	QEKJ1CM-107Z	E CAPACITOR	100uF 16V M	1	P,Y
	C708	NCB31CK-104X	C CAPACITOR	0.1uF 16V K	1	P,Y
	C709	NCB31CK-104X	C CAPACITOR	0.1uF 16V K	1	P,Y
	C711	QEKJ0JM-476Z	E CAPACITOR	47uF 6.3V M	1	P,Y
	C714	NCB31CK-104X	C CAPACITOR	0.1uF 16V K	1	P,Y
	C715	NCB31CK-104X	C CAPACITOR	0.1uF 16V K	1	P,Y
	C717	NCB31HK-821X	C CAPACITOR	820pF 50V K	1	P,Y
	C718	NCB31CK-104X	C CAPACITOR	0.1uF 16V K	1	P,Y
	C719	QERF1AM-107Z	E CAPACITOR	100uF 10V M	1	P,Y
	C720	NDC31HJ-820X	C CAPACITOR	82pF 50V J	1	P,Y
	C721	NCB31CK-104X	C CAPACITOR	0.1uF 16V K	1	P,Y
	C722	QERF1EM-475Z	E CAPACITOR	4.7uF 25V M	1	P,Y
	C725	NCB31CK-105X	C CAPACITOR	1uF 16V K	1	P,Y
	C733	NCJ11EK-106X-A	C CAPACITOR	10uF 25V K	1	P,Y
	C736	NCB31CK-104X	C CAPACITOR	0.1uF 16V K	1	P,Y
	C737	NDC31HJ-101X	C CAPACITOR	100pF 50V J	1	P,Y
	C771	NCB31CK-473X	C CAPACITOR	0.047uF 16V K	1	P,Y
	C781	QEKJ0JM-107Z	E CAPACITOR	100uF 6.3V M	1	P,Y
	C784	QERF1CM-107Z	E CAPACITOR	100uF 16V M	1	P,Y
	C851	QEKJ1EM-106Z	E CAPACITOR	10uF 25V M	1	P
	C852	NCB31CK-224X	C CAPACITOR	0.22uF 16V K	1	P
	C901	QE20870-278	E CAPACITOR	2700uF	1	P,Y
	C902	NCB31AK-474X	C CAPACITOR	0.47uF 10V K	1	P,Y
	C903	QEKJ1CM-107Z	E CAPACITOR	100uF 16V M	1	P,Y
	C904	QERF1AM-227Z	E CAPACITOR	220uF 10V M	1	P,Y
	C905	QEKJ1CM-476Z	E CAPACITOR	47uF 16V M	1	P,Y
	C906	NCB31HK-103X	C CAPACITOR	0.01uF 50V K	1	P,Y
	C907	QEKJ1CM-107Z	E CAPACITOR	100uF 16V M	1	P,Y
	C908	QEKJ1CM-476Z	E CAPACITOR	47uF 16V M	1	P,Y
	C910	QEKJ1EM-106Z	E CAPACITOR	10uF 25V M	1	P,Y
	C912	NCB31HK-103X	C CAPACITOR	0.01uF 50V K	1	P,Y
	C913	QEKJ1EM-106Z	E CAPACITOR	10uF 25V M	1	P,Y
	C915	NCB31CK-104X	C CAPACITOR	0.1uF 16V K	1	P,Y
	C917	QERF0JM-337Z	E CAPACITOR	330uF 6.3V M	1	P,Y
	C951	NCB31CK-104X	C CAPACITOR	0.1uF 16V K	1	P,Y
	C952	NCB31CK-104X	C CAPACITOR	0.1uF 16V K	1	P,Y
	C971	NCB31HK-104X	C CAPACITOR	0.1uF 50V K	1	P,Y
	C991	NCB31HK-472X	C CAPACITOR	4700pF 50V K	1	P,Y
	R1	NRSA63J-474X	MG RESISTOR	470kΩ 1/16W J	1	P,Y
	R2	NRSA63J-474X	MG RESISTOR	470kΩ 1/16W J	1	P,Y
	R3	NRSA63J-101X	MG RESISTOR	100Ω 1/16W J	1	P,Y
	R4	NRSA63J-472X	MG RESISTOR	4.7kΩ 1/16W J	1	P,Y
	R5	NRSA02J-470X	MG RESISTOR	47Ω 1/10W J	1	P,Y
	R6	NRSA63J-0R0X	MG RESISTOR	0Ω 1/10W J	1	P,Y
	R7	NRSA63J-0R0X	MG RESISTOR	0Ω 1/10W J	1	P,Y
	R8	NRSA02J-470X	MG RESISTOR	47Ω 1/10W J	1	P,Y
	R11	NRS181J-4R7X	MG RESISTOR	4.7Ω 1/8W J	1	P,Y
	R14	NRSA63J-472X	MG RESISTOR	4.7kΩ 1/16W J	1	P,Y
	R15	NRS181J-472X	MG RESISTOR	4.7kΩ 1/8W J	1	P,Y
	R161	NRSA63J-472X	MG RESISTOR	4.7kΩ 1/16W J	1	P,Y
	R162	NRSA63J-472X	MG RESISTOR	4.7kΩ 1/16W J	1	P,Y
	R163	NRSA63J-123X	MG RESISTOR	12kΩ 1/16W J	1	P,Y
	R164	NRSA63J-222X	MG RESISTOR	2.2kΩ 1/16W J	1	P,Y
	R165	NRSA63J-123X	MG RESISTOR	12kΩ 1/16W J	1	P,Y
	R168	NRS181J-103X	MG RESISTOR	10kΩ 1/8W J	1	P,Y
	R169	NRSA63J-0R0X	MG RESISTOR	0Ω 1/10W J	1	P,Y
	R171	NRSA63J-101X	MG RESISTOR	100Ω 1/16W J	1	P,Y
	R172	NRSA63J-101X	MG RESISTOR	100Ω 1/16W J	1	P,Y
	R305	NRSA63J-102X	MG RESISTOR	1kΩ 1/16W J	1	P,Y
	R309	NRS181J-100X	MG RESISTOR	10Ω 1/8W J	1	P,Y
	R310	NRSA63J-472X	MG RESISTOR	4.7kΩ 1/16W J	1	P,Y
	R341	NRSA63J-222X	MG RESISTOR	2.2kΩ 1/16W J	1	P,Y
	R342	NRSA63J-821X	MG RESISTOR	820Ω 1/16W J	1	P,Y
	R343	NRSA63J-101X	MG RESISTOR	100Ω 1/16W J	1	P,Y
	R344	NRSA63J-473X	MG RESISTOR	47kΩ 1/16W J	1	P,Y
	R351	NRSA63J-222X	MG RESISTOR	2.2kΩ 1/16W J	1	P,Y
	R352	NRSA63J-821X	MG RESISTOR	820Ω 1/16W J	1	P,Y
	R353	NRSA63J-101X	MG RESISTOR	100Ω 1/16W J	1	P,Y
	R354	NRSA63J-473X	MG RESISTOR	47kΩ 1/16W J	1	P,Y
	R381	NRSA63J-102X	MG RESISTOR	1kΩ 1/16W J	1	P
	R382	NRSA63J-102X	MG RESISTOR	1kΩ 1/16W J	1	P
	R383	NRSA63J-104X	MG RESISTOR	100kΩ 1/16W J	1	P
	R384	NRSA63J-104X	MG RESISTOR	100kΩ 1/16W J	1	P

MODEL	MARK	MODEL	MARK	MODEL	MARK	MODEL	MARK
KD-R35E	A	KD-R35EY	B	KD-R38EE	C	KD-R411E	D
KD-R411EU	E	KD-R411EY	F	KD-R412E	G	KD-R412EU	H
KD-R412EY	I	KD-R414UI	J	KD-R415U	K	KD-R415UH	L
KD-R415UN	M	KD-R415UT	N	KD-R415UW	O	KD-R416SUN	P
KD-R416U	Q	KD-R416UH	R	KD-R416UN	S	KD-R416UT	T
KD-R416UW	U	KD-R417EE	V	KD-R418J	W	KD-R418UF	X
KD-R419UR	Y	KD-S27J	Z				

Safe	Symbol No.	Parts No.	Parts Name	Description	QTY	Local
	R385	NRSA63J-223X	MG RESISTOR	22kΩ 1/16W J	1	P
	R386	NRS181J-223X	MG RESISTOR	22kΩ 1/8W J	1	P
	R387	NRSA63J-333X	MG RESISTOR	33kΩ 1/16W J	1	P
	R388	NRSA63J-333X	MG RESISTOR	33kΩ 1/16W J	1	P
	R389	NRSA63J-0R0X	MG RESISTOR	0Ω 1/10W J	1	Y
	R390	NRSA63J-0R0X	MG RESISTOR	0Ω 1/10W J	1	Y
	R583	NRSA63J-153X	MG RESISTOR	15kΩ 1/16W J	1	P,Y
	R584	NRSA63J-153X	MG RESISTOR	15kΩ 1/16W J	1	P,Y
	R585	NRSA63J-562X	MG RESISTOR	5.6kΩ 1/16W J	1	P,Y
	R586	NRSA63J-562X	MG RESISTOR	5.6kΩ 1/16W J	1	P,Y
	R587	NRSA63J-273X	MG RESISTOR	27kΩ 1/16W J	1	P,Y
	R588	NRSA63J-273X	MG RESISTOR	27kΩ 1/16W J	1	P,Y
	R591	NRSA63J-103X	MG RESISTOR	10kΩ 1/16W J	1	P,Y
	R592	NRSA63J-103X	MG RESISTOR	10kΩ 1/16W J	1	P,Y
	R593	NRS181J-223X	MG RESISTOR	22kΩ 1/8W J	1	P,Y
	R594	NRSA63J-223X	MG RESISTOR	22kΩ 1/16W J	1	P,Y
	R701	NRSA63J-103X	MG RESISTOR	10kΩ 1/16W J	1	P,Y
	R702	NRSA63J-103X	MG RESISTOR	10kΩ 1/16W J	1	P,Y
	R703	NRSA63J-104X	MG RESISTOR	100kΩ 1/16W J	1	P,Y
	R704	NRSA63J-104X	MG RESISTOR	100kΩ 1/16W J	1	P,Y
	R707	NRSA63J-473X	MG RESISTOR	47kΩ 1/16W J	1	P,Y
	R708	NRSA63J-104X	MG RESISTOR	100kΩ 1/16W J	1	P,Y
	R710	NRSA63J-104X	MG RESISTOR	100kΩ 1/16W J	1	P
	R711	NRSA63J-473X	MG RESISTOR	47kΩ 1/16W J	1	Y
	R713	NRSA63J-473X	MG RESISTOR	47kΩ 1/16W J	1	P,Y
	R715	NRSA63J-331X	MG RESISTOR	330Ω 1/16W J	1	P,Y
	R716	NRSA63J-471X	MG RESISTOR	470Ω 1/16W J	1	P,Y
	R720	NRSA63J-102X	MG RESISTOR	1kΩ 1/16W J	1	P,Y
	R724	NRSA63J-102X	MG RESISTOR	1kΩ 1/16W J	1	P,Y
	R725	NRSA63J-102X	MG RESISTOR	1kΩ 1/16W J	1	P,Y
	R726	NRSA63J-273X	MG RESISTOR	27kΩ 1/16W J	1	P,Y
	R727	NRSA63J-122X	MG RESISTOR	1.2kΩ 1/16W J	1	P,Y
	R728	NRSA63J-102X	MG RESISTOR	1kΩ 1/16W J	1	P,Y
	R730	NRSA63J-102X	MG RESISTOR	1kΩ 1/16W J	1	P,Y
	R731	NRSA63J-101X	MG RESISTOR	100Ω 1/16W J	1	P,Y
	R732	NRSA63J-473X	MG RESISTOR	47kΩ 1/16W J	1	P,Y
	R733	NRSA63J-473X	MG RESISTOR	47kΩ 1/16W J	1	P,Y
	R736	NRSA63J-561X	MG RESISTOR	560Ω 1/16W J	1	P,Y
	R737	NRSA63J-561X	MG RESISTOR	560Ω 1/16W J	1	P,Y
	R738	NRSA63J-561X	MG RESISTOR	560Ω 1/16W J	1	P,Y
	R739	NRSA63J-101X	MG RESISTOR	100Ω 1/16W J	1	P,Y
	R741	NRSA63J-101X	MG RESISTOR	100Ω 1/16W J	1	P,Y
	R742	NRSA63J-101X	MG RESISTOR	100Ω 1/16W J	1	P,Y
	R744	NRS181J-101X	MG RESISTOR	100Ω 1/8W J	1	P,Y
	R746	NRSA63J-104X	MG RESISTOR	100kΩ 1/16W J	1	P,Y
	R747	NRSA63J-103X	MG RESISTOR	10kΩ 1/16W J	1	P,Y
	R748	NRSA63J-122X	MG RESISTOR	1.2kΩ 1/16W J	1	P,Y
	R749	NRSA63J-102X	MG RESISTOR	1kΩ 1/16W J	1	P,Y
	R750	NRSA63J-104X	MG RESISTOR	100kΩ 1/16W J	1	P,Y
	R752	NRSA63J-472X	MG RESISTOR	4.7kΩ 1/16W J	1	P,Y
	R753	NRSA63J-472X	MG RESISTOR	4.7kΩ 1/16W J	1	P,Y
	R755	NRSA63J-472X	MG RESISTOR	4.7kΩ 1/16W J	1	P,Y
	R756	NRSA63J-472X	MG RESISTOR	4.7kΩ 1/16W J	1	P,Y
	R758	NRSA63J-473X	MG RESISTOR	47kΩ 1/16W J	1	P,Y
	R759	NRSA63J-0R0X	MG RESISTOR	0Ω 1/10W J	1	P,Y
	R761	NRSA63J-102X	MG RESISTOR	1kΩ 1/16W J	1	P,Y
	R762	NRSA63J-102X	MG RESISTOR	1kΩ 1/16W J	1	P,Y
	R763	NRSA63J-823X	MG RESISTOR	82kΩ 1/16W J	1	P,Y
	R765	NRSA63J-472X	MG RESISTOR	4.7kΩ 1/16W J	1	P,Y
	R766	NRSA63J-472X	MG RESISTOR	4.7kΩ 1/16W J	1	P,Y
	R767	NRSA63J-473X	MG RESISTOR	47kΩ 1/16W J	1	P,Y
	R771	NRSA63J-271X	MG RESISTOR	270Ω 1/16W J	1	P,Y
	R772	NRSA63J-271X	MG RESISTOR	270Ω 1/16W J	1	P,Y
	R774	NRSA63J-473X	MG RESISTOR	47kΩ 1/16W J	1	P,Y
	R775	NRSA63J-222X	MG RESISTOR	2.2kΩ 1/16W J	1	P,Y
	R777	NRSA63J-103X	MG RESISTOR	10kΩ 1/16W J	1	P,Y
	R779	NRSA63J-101X	MG RESISTOR	100Ω 1/16W J	1	P,Y
	R781	NRS181J-473X	MG RESISTOR	47kΩ 1/8W J	1	P,Y
	R782	NRSA63J-472X	MG RESISTOR	4.7kΩ 1/16W J	1	P,Y
	R783	NRSA63J-103X	MG RESISTOR	10kΩ 1/16W J	1	P,Y
	R784	NRSA63J-103X	MG RESISTOR	10kΩ 1/16W J	1	P,Y
	R851	NRSA63J-472X	MG RESISTOR	4.7kΩ 1/16W J	1	P
	R901	QRE141J-103Y	C RESISTOR	10kΩ 1/4W J	1	P,Y
	R902	NRSA02J-0R0X	MG RESISTOR	0Ω 1/10W J	1	P,Y
	R903	NRSA02J-472X	MG RESISTOR	4.7kΩ 1/10W J	1	P,Y
	R921	NRSA63J-473X	MG RESISTOR	47kΩ 1/16W J	1	P
	R922	QRE141J-102Y	C RESISTOR	1kΩ 1/4W J	1	P
	R930	NRSA63J-103X	MG RESISTOR	10kΩ 1/16W J	1	P,Y
	R952	NRSA63J-0R0X	MG RESISTOR	0Ω 1/10W J	1	P
	R971	NRS181J-332X	MG RESISTOR	3.3kΩ 1/8W J	1	P,Y
	R976	NRSA02J-273X	MG RESISTOR	27kΩ 1/10W J	1	P,Y
	R977	NRSA02J-123X	MG RESISTOR	12kΩ 1/10W J	1	P,Y

MODEL	MARK	MODEL	MARK	MODEL	MARK	MODEL	MARK
KD-R35E	A	KD-R35EY	B	KD-R38EE	C	KD-R411E	D
KD-R411EU	E	KD-R411EY	F	KD-R412E	G	KD-R412EU	H
KD-R412EY	I	KD-R414UI	J	KD-R415U	K	KD-R415UH	L
KD-R415UN	M	KD-R415UT	N	KD-R415UW	O	KD-R416SUN	P
KD-R416U	Q	KD-R416UH	R	KD-R416UN	S	KD-R416UT	T
KD-R416UW	U	KD-R417EE	V	KD-R418J	W	KD-R418UF	X
KD-R419UR	Y	KD-S27J	Z				

Safe	Symbol No.	Parts No.	Parts Name	Description	QTY	Local
	L1	NQL093K-R47X	P COIL	0.47uH K	1	P,Y
	L2	NQL093K-1R8X	P COIL	1.8uH K	1	P,Y
	L3	NQL093K-R22X	P COIL	0.22uH K	1	P,Y
	L4	QQR1872-001	RF COIL		1	P,Y
	L5	QQL244J-561Z	COIL	560uH J	1	P,Y
	L6	QQL244J-561Z	COIL	560uH J	1	P,Y
	L8	QQL231K-4R7Y	INDUCTOR	4.7uH K	1	P,Y
	L9	QQL231K-4R7Y	INDUCTOR	4.7uH K	1	P,Y
	L31	NQL093K-R47X	P COIL	0.47uH K	1	P,Y
	L701	QQL231K-4R7Y	INDUCTOR	4.7uH K	1	P,Y
	L702	QQL231K-4R7Y	INDUCTOR	4.7uH K	1	P,Y
△	L901	QQR1852-001	CHOCO COIL		1	P,Y
△	L901 or	QQR0703-001	CHOCO COIL		1	P
	L930	NQLH25M-4R7X	COIL	4.7uH M	1	P,Y
	CN501	QGB2027ME-28	CONNECTOR	B-B (1-28)	1	P,Y
	CN701	QGZ1101J1-20	CONNECTOR	(1-20)	1	P,Y
	CN901	QNZ0607-001	CAR CONNECTOR		1	P,Y
	J1	QNB0190-001	ANT TERMINAL		1	P,Y
	J1 or	QNB0348-001	ANT TERMINAL		1	P
	J321	QNN0802-001	PIN JACK		1	P,Y
	K162	NRSA02J-0R0X	MG RESISTOR	0Ω 1/10W J	1	P,Y
	S701	QSW0648-001Z	TACT SWITCH		1	P,Y
	X1	QAX0952-001Z	CRYSTAL		1	P,Y
	X701	QAX0667-001Z	C RESONATOR	8.000MHz	1	P,Y
	X702	QAX0953-001	CRYSTAL		1	P,Y
Main board S27J<07>						
△	IC1	TEF6614TV1S4-X	IC		1	Z
	IC161	TDA7718N-X	IC		1	Z
△	IC301	TB2926CHQ	IC		1	Z
	IC581	NJM4565E-X	IC		1	Z
△	IC701	MN101E16KEK	IC(MCU)		1	Z
	IC702	S-80824CNNB-G-W	IC		1	Z
	IC702 or	IC-PST3424U-X	IC		1	Z
	IC771	R1EX24002ASAA-X	IC		1	Z
△	IC901	R2S25400DS-E	IC		1	Z
	IC951	XC6213B332NG-X	IC		1	Z
	Q331	IMX9-W	PAIR TRANSISTOR		1	Z
	Q701	RT1N141C-X	DIGI TRANSISTOR		1	Z
	Q701 or	UN2211-X	TRANSISTOR		1	Z
	Q781	RT1P141C-X	DIGI TRANSISTOR		1	Z
	Q781 or	UN2111-X	TRANSISTOR		1	Z
	Q782	2SC1623A/5-6/-X	TRANSISTOR		1	Z
	Q782 or	2SC3928A/QR/-X	TRANSISTOR		1	Z
	Q784	RT1P141C-X	DIGI TRANSISTOR		1	Z
	Q784 or	UN2111-X	TRANSISTOR		1	Z
	Q976	RT1N141C-X	DIGI TRANSISTOR		1	Z
	Q976 or	UN2211-X	TRANSISTOR		1	Z
	Q977	2SA812A/5-6/-X	TRANSISTOR		1	Z
	Q977 or	ISA1530AC1/QR/X	TRANSISTOR		1	Z
	Q978	2SC1623A/5-6/-X	TRANSISTOR		1	Z
	Q978 or	2SC3928A/QR/-X	TRANSISTOR		1	Z
	D331	BAW56-TP-X	SI DIODE		1	Z
	D331 or	MC2836-X	DIODE		1	Z
	D712	DA2J101-X	SI DIODE		1	Z
	D715	DZ2J051/M/-X	Z DIODE		1	Z
	D716	DZ2J051/M/-X	Z DIODE		1	Z
	D717	DZ2J051/M/-X	Z DIODE		1	Z
	D718	DZ2J051/M/-X	Z DIODE		1	Z
	D781	DA2J101-X	SI DIODE		1	Z
	D782	NRSA02J-0R0X	MG RESISTOR	0Ω 1/10W J	1	Z
	D784	DZ2J100/M/-X	Z DIODE		1	Z
△	D901	1N5401-BPC04	SI DIODE		1	Z
	D903	DA2J101-X	SI DIODE		1	Z
	D971	MBRX130-TP-X	SB DIODE		1	Z
	D971 or	MA22D23-X	SB DIODE		1	Z
	D972	MBRX130-TP-X	SB DIODE		1	Z
	D972 or	MA22D23-X	SB DIODE		1	Z
	C1	NCB31HK-102X	C CAPACITOR	1000pF 50V K	1	Z
	C2	NDC31HJ-7R0X	C CAPACITOR	7pF 50V J	1	Z
	C3	NCB31HK-102X	C CAPACITOR	1000pF 50V K	1	Z
	C4	NCB31CK-224X	C CAPACITOR	0.22uF 16V K	1	Z
	C5	NDC31HJ-150X	C CAPACITOR	15pF 50V J	1	Z
	C7	NDC31HJ-220X	C CAPACITOR	22pF 50V J	1	Z
	C8	NCJ11EK-106X-A	C CAPACITOR	10uF 25V K	1	Z
	C10	NCB21EK-105X	C CAPACITOR	1uF 25V K	1	Z
	C11	NCB31HK-103X	C CAPACITOR	0.01uF 50V K	1	Z
	C12	NCB31HK-103X	C CAPACITOR	0.01uF 50V K	1	Z
	C13	NCB21EK-105X	C CAPACITOR	1uF 25V K	1	Z
	C14	NCB31CK-224X	C CAPACITOR	0.22uF 16V K	1	Z
	C15	NCB31CK-104X	C CAPACITOR	0.1uF 16V K	1	Z
	C16	NCB31HK-103X	C CAPACITOR	0.01uF 50V K	1	Z
	C17	NCB31CK-104X	C CAPACITOR	0.1uF 16V K	1	Z
	C18	NCB31HK-103X	C CAPACITOR	0.01uF 50V K	1	Z
	C19	NCB31CK-104X	C CAPACITOR	0.1uF 16V K	1	Z

MODEL	MARK	MODEL	MARK	MODEL	MARK	MODEL	MARK
KD-R35E	A	KD-R35EY	B	KD-R38EE	C	KD-R411E	D
KD-R411EU	E	KD-R411EY	F	KD-R412E	G	KD-R412EU	H
KD-R412EY	I	KD-R414UI	J	KD-R415U	K	KD-R415UH	L
KD-R415UN	M	KD-R415UT	N	KD-R415UW	O	KD-R416SUN	P
KD-R416U	Q	KD-R416UH	R	KD-R416UN	S	KD-R416UT	T
KD-R416UW	U	KD-R417EE	V	KD-R418J	W	KD-R418UF	X
KD-R419UR	Y	KD-S27J	Z				

Safe	Symbol No.	Parts No.	Parts Name	Description	QTY	Local
	C22	NDC31HJ-120X	C CAPACITOR	12pF 50V J	1	Z
	C23	NCB31CK-104X	C CAPACITOR	0.1uF 16V K	1	Z
	C24	NCB31HK-103X	C CAPACITOR	0.01uF 50V K	1	Z
	C25	NCB31HK-103X	C CAPACITOR	0.01uF 50V K	1	Z
	C27	QEKJ1EM-106Z	E CAPACITOR	10uF 25V M	1	Z
	C33	NDC31HJ-5R6X	C CAPACITOR	5.6pF 50V J	1	Z
	C162	NCB31CK-105X	C CAPACITOR	1uF 16V K	1	Z
	C163	QTE1H64-225Z	E CAPACITOR	2.2uF 50V	1	Z
	C164	NCB31CK-105X	C CAPACITOR	1uF 16V K	1	Z
	C165	NCB31CK-105X	C CAPACITOR	1uF 16V K	1	Z
	C168	NCB31CK-105X	C CAPACITOR	1uF 16V K	1	Z
	C170	QTE1A57-107Z	E CAPACITOR	100uF 10V	1	Z
	C172	NCB31CK-105X	C CAPACITOR	1uF 16V K	1	Z
	C173	QTE1H64-225Z	E CAPACITOR	2.2uF 50V	1	Z
	C174	NCB31CK-105X	C CAPACITOR	1uF 16V K	1	Z
	C176	QERF1HM-335Z-E	E CAPACITOR	3.3uF 50V M	1	Z
	C177	NDC31HJ-560X	C CAPACITOR	56pF 50V J	1	Z
	C178	QERF1CM-106Z-E	E CAPACITOR	10uF 16V M	1	Z
	C184	NCB31CK-104X	C CAPACITOR	0.1uF 16V K	1	Z
	C301	QTE1C66-474Z	E CAPACITOR	0.47uF 16V	1	Z
	C302	QTE1C66-474Z	E CAPACITOR	0.47uF 16V	1	Z
	C303	NCB21CK-474X-A	C CAPACITOR	0.47uF 16V K	1	Z
	C304	NCB21CK-474X-A	C CAPACITOR	0.47uF 16V K	1	Z
	C311	QTE1C66-474Z	E CAPACITOR	0.47uF 16V	1	Z
	C312	QTE1C66-474Z	E CAPACITOR	0.47uF 16V	1	Z
	C313	NCB21CK-474X-A	C CAPACITOR	0.47uF 16V K	1	Z
	C314	NCB21CK-474X-A	C CAPACITOR	0.47uF 16V K	1	Z
	C315	NCB31CK-105X	C CAPACITOR	1uF 16V K	1	Z
	C316	QEKJ1HM-475Z	E CAPACITOR	4.7uF 50V M	1	Z
	C317	QERF1CM-226Z-E	E CAPACITOR	22uF 16V M	1	Z
	C326	QERF1CM-106Z-E	E CAPACITOR	10uF 16V M	1	Z
	C327	NCB21AK-105X-A	C CAPACITOR	1uF 10V K	1	Z
	C393	QEKJ1HM-475Z	E CAPACITOR	4.7uF 50V M	1	Z
	C394	QEKJ1HM-475Z	E CAPACITOR	4.7uF 50V M	1	Z
	C583	NCB31HK-821X	C CAPACITOR	820pF 50V K	1	Z
	C584	NCB31HK-821X	C CAPACITOR	820pF 50V K	1	Z
	C585	QERF1EM-475Z-E	E CAPACITOR	4.7uF 25V M	1	Z
	C586	QERF1EM-475Z-E	E CAPACITOR	4.7uF 25V M	1	Z
	C587	NDC31HJ-151X	C CAPACITOR	150pF 50V J	1	Z
	C588	NDC31HJ-151X	C CAPACITOR	150pF 50V J	1	Z
	C590	QERF0JM-476Z-E	E CAPACITOR	47uF 6.3V M	1	Z
	C591	QERF1AM-107Z-E	E CAPACITOR	100uF 10V M	1	Z
	C592	NCB31HK-104X	C CAPACITOR	0.1uF 50V K	1	Z
	C703	NDC31HJ-8R0X	C CAPACITOR	8pF 50V J	1	Z
	C704	NDC31HJ-9R0X	C CAPACITOR	9pF 50V J	1	Z
	C707	QEKJ1CM-107Z	E CAPACITOR	100uF 16V M	1	Z
	C708	NCB31CK-104X	C CAPACITOR	0.1uF 16V K	1	Z
	C709	NCB31CK-104X	C CAPACITOR	0.1uF 16V K	1	Z
	C711	QEKJ0JM-476Z	E CAPACITOR	47uF 6.3V M	1	Z
	C714	NCB31CK-104X	C CAPACITOR	0.1uF 16V K	1	Z
	C715	NCB31CK-104X	C CAPACITOR	0.1uF 16V K	1	Z
	C717	NCB31HK-821X	C CAPACITOR	820pF 50V K	1	Z
	C718	NCB31CK-104X	C CAPACITOR	0.1uF 16V K	1	Z
	C719	QERF1AM-107Z	E CAPACITOR	100uF 10V M	1	Z
	C720	NDC31HJ-820X	C CAPACITOR	82pF 50V J	1	Z
	C721	NCB31CK-104X	C CAPACITOR	0.1uF 16V K	1	Z
	C722	QERF1EM-475Z	E CAPACITOR	4.7uF 25V M	1	Z
	C725	NCB31CK-105X	C CAPACITOR	1uF 16V K	1	Z
	C733	NCJ11EK-106X-A	C CAPACITOR	10uF 25V K	1	Z
	C736	NCB31CK-104X	C CAPACITOR	0.1uF 16V K	1	Z
	C737	NDC31HJ-101X	C CAPACITOR	100pF 50V J	1	Z
	C771	NCB31CK-473X	C CAPACITOR	0.047uF 16V K	1	Z
	C781	QEKJ0JM-107Z	E CAPACITOR	100uF 6.3V M	1	Z
	C784	QERF1CM-107Z	E CAPACITOR	100uF 16V M	1	Z
	C901	QE20870-278	E CAPACITOR	2700uF	1	Z
	C902	NCB31AK-474X	C CAPACITOR	0.47uF 10V K	1	Z
	C903	QEKJ1CM-107Z	E CAPACITOR	100uF 16V M	1	Z
	C904	QERF1AM-227Z	E CAPACITOR	220uF 10V M	1	Z
	C905	QEKJ1CM-476Z	E CAPACITOR	47uF 16V M	1	Z
	C906	NCB31HK-103X	C CAPACITOR	0.01uF 50V K	1	Z
	C907	QEKJ1CM-107Z	E CAPACITOR	100uF 16V M	1	Z
	C908	QEKJ1CM-476Z	E CAPACITOR	47uF 16V M	1	Z
	C910	QEKJ1EM-106Z	E CAPACITOR	10uF 25V M	1	Z
	C912	NCB31HK-103X	C CAPACITOR	0.01uF 50V K	1	Z
	C913	QEKJ1EM-106Z	E CAPACITOR	10uF 25V M	1	Z
	C915	NCB31CK-104X	C CAPACITOR	0.1uF 16V K	1	Z
	C917	QERF0JM-337Z	E CAPACITOR	330uF 6.3V M	1	Z
	C951	NCB31CK-104X	C CAPACITOR	0.1uF 16V K	1	Z
	C952	NCB31CK-104X	C CAPACITOR	0.1uF 16V K	1	Z
	C971	NCB31HK-104X	C CAPACITOR	0.1uF 50V K	1	Z
	C991	NCB31HK-472X	C CAPACITOR	4700pF 50V K	1	Z
	R1	NRSA63J-474X	MG RESISTOR	470kΩ 1/16W J	1	Z

MODEL	MARK	MODEL	MARK	MODEL	MARK	MODEL	MARK
KD-R35E	A	KD-R35EY	B	KD-R38EE	C	KD-R411E	D
KD-R411EU	E	KD-R411EY	F	KD-R412E	G	KD-R412EU	H
KD-R412EY	I	KD-R414UI	J	KD-R415U	K	KD-R415UH	L
KD-R415UN	M	KD-R415UT	N	KD-R415UW	O	KD-R416SUN	P
KD-R416U	Q	KD-R416UH	R	KD-R416UN	S	KD-R416UT	T
KD-R416UW	U	KD-R417EE	V	KD-R418J	W	KD-R418UF	X
KD-R419UR	Y	KD-S27J	Z				

Safe	Symbol No.	Parts No.	Parts Name	Description	QTY	Local
	R2	NRSA63J-474X	MG RESISTOR	470kΩ 1/16W J	1	Z
	R3	NRSA63J-101X	MG RESISTOR	100Ω 1/16W J	1	Z
	R4	NRSA63J-472X	MG RESISTOR	4.7kΩ 1/16W J	1	Z
	R5	NRSA02J-470X	MG RESISTOR	47Ω 1/10W J	1	Z
	R6	NRSA63J-0R0X	MG RESISTOR	0Ω 1/10W J	1	Z
	R7	NRSA63J-0R0X	MG RESISTOR	0Ω 1/10W J	1	Z
	R8	NRSA02J-470X	MG RESISTOR	47Ω 1/10W J	1	Z
	R11	NRS181J-4R7X	MG RESISTOR	4.7Ω 1/8W J	1	Z
	R14	NRSA63J-472X	MG RESISTOR	4.7kΩ 1/16W J	1	Z
	R15	NRS181J-472X	MG RESISTOR	4.7kΩ 1/8W J	1	Z
	R161	NRSA63J-472X	MG RESISTOR	4.7kΩ 1/16W J	1	Z
	R162	NRSA63J-472X	MG RESISTOR	4.7kΩ 1/16W J	1	Z
	R163	NRSA63J-123X	MG RESISTOR	12kΩ 1/16W J	1	Z
	R164	NRSA63J-222X	MG RESISTOR	2.2kΩ 1/16W J	1	Z
	R165	NRSA63J-123X	MG RESISTOR	12kΩ 1/16W J	1	Z
	R168	NRS181J-103X	MG RESISTOR	10kΩ 1/8W J	1	Z
	R169	NRSA63J-0R0X	MG RESISTOR	0Ω 1/10W J	1	Z
	R171	NRSA63J-101X	MG RESISTOR	100Ω 1/16W J	1	Z
	R172	NRSA63J-101X	MG RESISTOR	100Ω 1/16W J	1	Z
	R305	NRSA63J-102X	MG RESISTOR	1kΩ 1/16W J	1	Z
	R309	NRS181J-100X	MG RESISTOR	10Ω 1/8W J	1	Z
	R310	NRSA63J-472X	MG RESISTOR	4.7kΩ 1/16W J	1	Z
	R341	NRSA63J-222X	MG RESISTOR	2.2kΩ 1/16W J	1	Z
	R342	NRSA63J-821X	MG RESISTOR	820Ω 1/16W J	1	Z
	R343	NRSA63J-101X	MG RESISTOR	100Ω 1/16W J	1	Z
	R344	NRSA63J-473X	MG RESISTOR	47kΩ 1/16W J	1	Z
	R351	NRSA63J-222X	MG RESISTOR	2.2kΩ 1/16W J	1	Z
	R352	NRSA63J-821X	MG RESISTOR	820Ω 1/16W J	1	Z
	R353	NRSA63J-101X	MG RESISTOR	100Ω 1/16W J	1	Z
	R354	NRSA63J-473X	MG RESISTOR	47kΩ 1/16W J	1	Z
	R389	NRSA63J-0R0X	MG RESISTOR	0Ω 1/10W J	1	Z
	R390	NRSA63J-0R0X	MG RESISTOR	0Ω 1/10W J	1	Z
	R583	NRSA63J-153X	MG RESISTOR	15kΩ 1/16W J	1	Z
	R584	NRSA63J-153X	MG RESISTOR	15kΩ 1/16W J	1	Z
	R585	NRSA63J-562X	MG RESISTOR	5.6kΩ 1/16W J	1	Z
	R586	NRSA63J-562X	MG RESISTOR	5.6kΩ 1/16W J	1	Z
	R587	NRSA63J-273X	MG RESISTOR	27kΩ 1/16W J	1	Z
	R588	NRSA63J-273X	MG RESISTOR	27kΩ 1/16W J	1	Z
	R591	NRSA63J-103X	MG RESISTOR	10kΩ 1/16W J	1	Z
	R592	NRSA63J-103X	MG RESISTOR	10kΩ 1/16W J	1	Z
	R593	NRS181J-223X	MG RESISTOR	22kΩ 1/8W J	1	Z
	R594	NRSA63J-223X	MG RESISTOR	22kΩ 1/16W J	1	Z
	R701	NRSA63J-103X	MG RESISTOR	10kΩ 1/16W J	1	Z
	R702	NRSA63J-103X	MG RESISTOR	10kΩ 1/16W J	1	Z
	R703	NRSA63J-104X	MG RESISTOR	100kΩ 1/16W J	1	Z
	R704	NRSA63J-104X	MG RESISTOR	100kΩ 1/16W J	1	Z
	R707	NRSA63J-473X	MG RESISTOR	47kΩ 1/16W J	1	Z
	R708	NRSA63J-104X	MG RESISTOR	100kΩ 1/16W J	1	Z
	R711	NRSA63J-473X	MG RESISTOR	47kΩ 1/16W J	1	Z
	R713	NRSA63J-473X	MG RESISTOR	47kΩ 1/16W J	1	Z
	R715	NRSA63J-331X	MG RESISTOR	330Ω 1/16W J	1	Z
	R716	NRSA63J-471X	MG RESISTOR	470Ω 1/16W J	1	Z
	R720	NRSA63J-102X	MG RESISTOR	1kΩ 1/16W J	1	Z
	R724	NRSA63J-102X	MG RESISTOR	1kΩ 1/16W J	1	Z
	R725	NRSA63J-102X	MG RESISTOR	1kΩ 1/16W J	1	Z
	R726	NRSA63J-273X	MG RESISTOR	27kΩ 1/16W J	1	Z
	R727	NRSA63J-122X	MG RESISTOR	1.2kΩ 1/16W J	1	Z
	R728	NRSA63J-102X	MG RESISTOR	1kΩ 1/16W J	1	Z
	R730	NRSA63J-102X	MG RESISTOR	1kΩ 1/16W J	1	Z
	R731	NRSA63J-101X	MG RESISTOR	100Ω 1/16W J	1	Z
	R732	NRSA63J-473X	MG RESISTOR	47kΩ 1/16W J	1	Z
	R733	NRSA63J-473X	MG RESISTOR	47kΩ 1/16W J	1	Z
	R736	NRSA63J-561X	MG RESISTOR	560Ω 1/16W J	1	Z
	R737	NRSA63J-561X	MG RESISTOR	560Ω 1/16W J	1	Z
	R738	NRSA63J-561X	MG RESISTOR	560Ω 1/16W J	1	Z
	R739	NRSA63J-101X	MG RESISTOR	100Ω 1/16W J	1	Z
	R741	NRSA63J-101X	MG RESISTOR	100Ω 1/16W J	1	Z
	R742	NRSA63J-101X	MG RESISTOR	100Ω 1/16W J	1	Z
	R744	NRS181J-101X	MG RESISTOR	100Ω 1/8W J	1	Z
	R746	NRSA63J-104X	MG RESISTOR	100kΩ 1/16W J	1	Z
	R747	NRSA63J-103X	MG RESISTOR	10kΩ 1/16W J	1	Z
	R748	NRSA63J-122X	MG RESISTOR	1.2kΩ 1/16W J	1	Z
	R749	NRSA63J-102X	MG RESISTOR	1kΩ 1/16W J	1	Z
	R750	NRSA63J-104X	MG RESISTOR	100kΩ 1/16W J	1	Z
	R752	NRSA63J-472X	MG RESISTOR	4.7kΩ 1/16W J	1	Z
	R753	NRSA63J-472X	MG RESISTOR	4.7kΩ 1/16W J	1	Z
	R755	NRSA63J-472X	MG RESISTOR	4.7kΩ 1/16W J	1	Z
	R756	NRSA63J-472X	MG RESISTOR	4.7kΩ 1/16W J	1	Z
	R758	NRSA63J-473X	MG RESISTOR	47kΩ 1/16W J	1	Z
	R759	NRSA63J-0R0X	MG RESISTOR	0Ω 1/10W J	1	Z
	R761	NRSA63J-102X	MG RESISTOR	1kΩ 1/16W J	1	Z
	R763	NRSA63J-823X	MG RESISTOR	82kΩ 1/16W J	1	Z
	R765	NRSA63J-472X	MG RESISTOR	4.7kΩ 1/16W J	1	Z
	R766	NRSA63J-472X	MG RESISTOR	4.7kΩ 1/16W J	1	Z

MODEL	MARK	MODEL	MARK	MODEL	MARK	MODEL	MARK
KD-R35E	A	KD-R35EY	B	KD-R38EE	C	KD-R411E	D
KD-R411EU	E	KD-R411EY	F	KD-R412E	G	KD-R412EU	H
KD-R412EY	I	KD-R414UI	J	KD-R415U	K	KD-R415UH	L
KD-R415UN	M	KD-R415UT	N	KD-R415UW	O	KD-R416SUN	P
KD-R416U	Q	KD-R416UH	R	KD-R416UN	S	KD-R416UT	T
KD-R416UW	U	KD-R417EE	V	KD-R418J	W	KD-R418UF	X
KD-R419UR	Y	KD-S27J	Z				

Safe	Symbol No.	Parts No.	Parts Name	Description	QTY	Local
	R767	NRSA63J-473X	MG RESISTOR	47kΩ 1/16W J	1	Z
	R771	NRSA63J-271X	MG RESISTOR	270Ω 1/16W J	1	Z
	R772	NRSA63J-271X	MG RESISTOR	270Ω 1/16W J	1	Z
	R774	NRSA63J-473X	MG RESISTOR	47kΩ 1/16W J	1	Z
	R775	NRSA63J-222X	MG RESISTOR	2.2kΩ 1/16W J	1	Z
	R777	NRSA63J-103X	MG RESISTOR	10kΩ 1/16W J	1	Z
	R779	NRSA63J-101X	MG RESISTOR	100Ω 1/16W J	1	Z
	R781	NRS181J-473X	MG RESISTOR	47kΩ 1/8W J	1	Z
	R782	NRSA63J-472X	MG RESISTOR	4.7kΩ 1/16W J	1	Z
	R783	NRSA63J-103X	MG RESISTOR	10kΩ 1/16W J	1	Z
	R784	NRSA63J-103X	MG RESISTOR	10kΩ 1/16W J	1	Z
	R901	QRE141J-103Y	C RESISTOR	10kΩ 1/4W J	1	Z
	R902	NRSA02J-0R0X	MG RESISTOR	0Ω 1/10W J	1	Z
	R903	NRSA02J-472X	MG RESISTOR	4.7kΩ 1/10W J	1	Z
	R930	NRSA63J-103X	MG RESISTOR	10kΩ 1/16W J	1	Z
	R971	NRS181J-332X	MG RESISTOR	3.3kΩ 1/8W J	1	Z
	R976	NRSA02J-273X	MG RESISTOR	27kΩ 1/10W J	1	Z
	R977	NRSA02J-123X	MG RESISTOR	12kΩ 1/10W J	1	Z
	L1	NQL093K-R47X	P COIL	0.47uH K	1	Z
	L2	NQL093K-1R8X	P COIL	1.8uH K	1	Z
	L3	NQL093K-R22X	P COIL	0.22uH K	1	Z
	L4	QQR1872-001	RF COIL		1	Z
	L5	QQL244J-561Z	COIL	560uH J	1	Z
	L6	QQL244J-561Z	COIL	560uH J	1	Z
	L8	QQL231K-4R7Y	INDUCTOR	4.7uH K	1	Z
	L9	QQL231K-4R7Y	INDUCTOR	4.7uH K	1	Z
	L31	NQL093K-R47X	P COIL	0.47uH K	1	Z
	L701	QQL231K-4R7Y	INDUCTOR	4.7uH K	1	Z
	L702	QQL231K-4R7Y	INDUCTOR	4.7uH K	1	Z
△	L901	QQR1852-001	CHOKO COIL		1	Z
△	L901	QQR0703-001	CHOKO COIL		1	Z
	L930	NQLH25M-4R7X	COIL	4.7uH M	1	Z
	CN501	QGB2027ME-28	CONNECTOR	B-B (1-28)	1	Z
	CN701	QGZ1102J1-20	CONNECTOR	(1-20)	1	Z
	CN901	QNZ0607-001	CAR CONNECTOR		1	Z
	J1	QNB0190-001	ANT TERMINAL		1	Z
	J1	QNB0348-001	ANT TERMINAL		1	Z
	J321	QNN0802-001	PIN JACK		1	Z
	K162	NRSA02J-0R0X	MG RESISTOR	0Ω 1/10W J	1	Z
	S701	QSW0648-001Z	TACT SWITCH		1	Z
	X1	QAX0952-001Z	CRYSTAL		1	Z
	X701	QAX0667-001Z	C RESONATOR	8.000MHz	1	Z
	X702	QAX0953-001	CRYSTAL		1	Z
Switch board S27J<08>						
	IC661	PTC6526LQ-L	IC		1	Z
	IC681	KSM-2003TN5B	IR DETECT UNIT		1	Z
	IC930	TPS54040DGQ-X	IC		1	Z
	Q601	2SA2188/F-X	TRANSISTOR		1	Z
	Q602	RT1N141C-X	DIGI TRANSISTOR		1	Z
	Q602	UN2211-X	TRANSISTOR		1	Z
	D633	SML-D12V8W/PQ-X	LED		1	Z
	D634	SML-D12V8W/PQ-X	LED		1	Z
	D635	SML-D12V8W/PQ-X	LED		1	Z
	D636	SML-D12V8W/PQ-X	LED		1	Z
	D638	SML-D12V8W/PQ-X	LED		1	Z
	D639	SML-D12V8W/PQ-X	LED		1	Z
	D640	SML-D12V8W/PQ-X	LED		1	Z
	D641	SML-D12V8W/PQ-X	LED		1	Z
	D642	SML-D12V8W/PQ-X	LED		1	Z
	D645	SML-D12V8W/PQ-X	LED		1	Z
	D646	SML-D12V8W/PQ-X	LED		1	Z
	D650	LWA6SG/56L-X	LED		1	Z
	D652	SML-D12V8W/PQ-X	LED		1	Z
	D653	SML-D12V8W/PQ-X	LED		1	Z
	D654	SML-D12V8W/PQ-X	LED		1	Z
	D655	SML-D12V8W/PQ-X	LED		1	Z
	D661	DA2J101-X	SI DIODE		1	Z
	D662	DZ2J051/M/-X	Z DIODE		1	Z
	D691	DZ2J051/M/-X	Z DIODE		1	Z
	D692	DZ2J051/M/-X	Z DIODE		1	Z
	D930	MBRX130-TP-X	SB DIODE		1	Z
	D930	MA22D23-X	SB DIODE		1	Z
	C661	NCB21EK-105X	C CAPACITOR	1uF 25V K	1	Z
	C662	NDC31HJ-151X	C CAPACITOR	150pF 50V J	1	Z
	C663	NCB31HK-223X	C CAPACITOR	0.022uF 50V K	1	Z
	C665	NCB31CK-104X	C CAPACITOR	0.1uF 16V K	1	Z
	C666	NCB31CK-104X	C CAPACITOR	0.1uF 16V K	1	Z
	C682	NCB31HK-104X	C CAPACITOR	0.1uF 50V K	1	Z
	C687	NCB31HK-102X	C CAPACITOR	1000pF 50V K	1	Z
	C688	NCB31HK-102X	C CAPACITOR	1000pF 50V K	1	Z
	C692	NCJ11EK-106X-R	C CAPACITOR	10uF 25V	1	Z
	C693	NCJ11EK-106X-R	C CAPACITOR	10uF 25V	1	Z
	C930	NCJ11EK-106X-R	C CAPACITOR	10uF 25V	1	Z
	C931	NCJ11EK-106X-R	C CAPACITOR	10uF 25V	1	Z

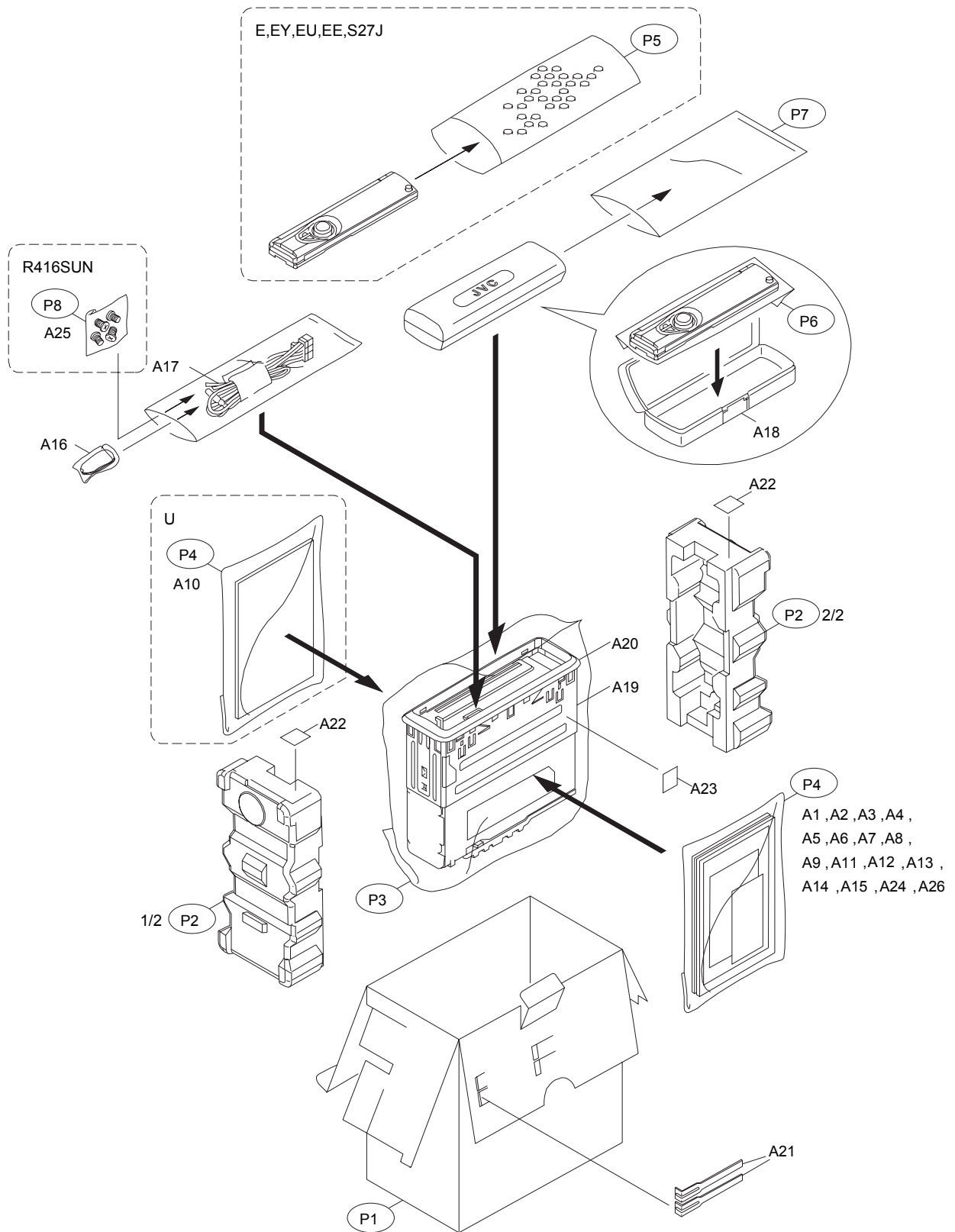
MODEL	MARK	MODEL	MARK	MODEL	MARK	MODEL	MARK
KD-R35E	A	KD-R35EY	B	KD-R38EE	C	KD-R411E	D
KD-R411EU	E	KD-R411EY	F	KD-R412E	G	KD-R412EU	H
KD-R412EY	I	KD-R414UI	J	KD-R415U	K	KD-R415UH	L
KD-R415UN	M	KD-R415UT	N	KD-R415UW	O	KD-R416SUN	P
KD-R416U	Q	KD-R416UH	R	KD-R416UN	S	KD-R416UT	T
KD-R416UW	U	KD-R417EE	V	KD-R418J	W	KD-R418UF	X
KD-R419UR	Y	KD-S27J	Z				

Safe	Symbol No.	Parts No.	Parts Name	Description	QTY	Local
	C932	NCJ11EK-106X-R	C CAPACITOR	10uF 25V	1	Z
	C933	NCB31HK-104X	C CAPACITOR	0.1uF 50V K	1	Z
	C934	NCB31HK-104X	C CAPACITOR	0.1uF 50V K	1	Z
	C935	NCB31HK-272X	C CAPACITOR	2700pF 50V K	1	Z
	C936	NDC31HJ-5R6X	C CAPACITOR	5.6pF 50V J	1	Z
	C937	NCJ11EK-106X-R	C CAPACITOR	10uF 25V	1	Z
	C938	NCJ11EK-106X-R	C CAPACITOR	10uF 25V	1	Z
	C939	NDC31HJ-100X	C CAPACITOR	10pF 50V J	1	Z
	R601	NRSA63J-821X	MG RESISTOR	820Ω 1/16W J	1	Z
	R602	NRSA63J-821X	MG RESISTOR	820Ω 1/16W J	1	Z
	R603	NRSA63J-122X	MG RESISTOR	1.2kΩ 1/16W J	1	Z
	R604	NRSA63J-182X	MG RESISTOR	1.8kΩ 1/16W J	1	Z
	R605	NRSA63J-272X	MG RESISTOR	2.7kΩ 1/16W J	1	Z
	R607	NRSA63J-821X	MG RESISTOR	820Ω 1/16W J	1	Z
	R608	NRSA63J-821X	MG RESISTOR	820Ω 1/16W J	1	Z
	R609	NRSA63J-122X	MG RESISTOR	1.2kΩ 1/16W J	1	Z
	R610	NRSA63J-182X	MG RESISTOR	1.8kΩ 1/16W J	1	Z
	R611	NRSA63J-272X	MG RESISTOR	2.7kΩ 1/16W J	1	Z
	R612	NRSA63J-392X	MG RESISTOR	3.9kΩ 1/16W J	1	Z
	R613	NRSA63J-103X	MG RESISTOR	10kΩ 1/16W J	1	Z
	R631	NRS181J-471X	MG RESISTOR	470Ω 1/8W J	1	Z
	R632	NRS181J-471X	MG RESISTOR	470Ω 1/8W J	1	Z
	R633	NRS181J-561X	MG RESISTOR	560Ω 1/8W J	1	Z
	R634	NRS181J-471X	MG RESISTOR	470Ω 1/8W J	1	Z
	R635	NRS181J-471X	MG RESISTOR	470Ω 1/8W J	1	Z
	R636	NRS181J-471X	MG RESISTOR	470Ω 1/8W J	1	Z
	R637	NRS181J-471X	MG RESISTOR	470Ω 1/8W J	1	Z
	R638	NRS181J-471X	MG RESISTOR	470Ω 1/8W J	1	Z
	R648	NRS181J-391X	MG RESISTOR	390Ω 1/8W J	1	Z
	R649	NRS181J-391X	MG RESISTOR	390Ω 1/8W J	1	Z
	R650	NRS181J-221X	MG RESISTOR	220Ω 1/8W J	1	Z
	R651	NRS181J-271X	MG RESISTOR	270Ω 1/8W J	1	Z
	R652	NRSA63J-472X	MG RESISTOR	4.7kΩ 1/16W J	1	Z
	R653	NRS181J-102X	MG RESISTOR	1kΩ 1/8W J	1	Z
	R654	NRSA63J-511X	MG RESISTOR	510Ω 1/16W J	1	Z
	R660	NRSA63J-394X	MG RESISTOR	390kΩ 1/16W J	1	Z
	R661	NRSA63J-102X	MG RESISTOR	1kΩ 1/16W J	1	Z
	R662	NRSA63J-102X	MG RESISTOR	1kΩ 1/16W J	1	Z
	R663	NRSA63J-102X	MG RESISTOR	1kΩ 1/16W J	1	Z
	R664	NRSA63J-224X	MG RESISTOR	220kΩ 1/16W J	1	Z
	R665	NRSA63J-101X	MG RESISTOR	100Ω 1/16W J	1	Z
	R666	NRSA63J-101X	MG RESISTOR	100Ω 1/16W J	1	Z
	R667	NRSA63J-101X	MG RESISTOR	100Ω 1/16W J	1	Z
	R672	NRSA63J-0R0X	MG RESISTOR	0Ω 1/10W J	1	Z
	R673	NRSA63J-0R0X	MG RESISTOR	0Ω 1/10W J	1	Z
	R681	NRSA63J-471X	MG RESISTOR	470Ω 1/16W J	1	Z
	R682	NRSA63J-102X	MG RESISTOR	1kΩ 1/16W J	1	Z
	R690	NRSA63J-103X	MG RESISTOR	10kΩ 1/16W J	1	Z
	R931	NRSA63J-432X	MG RESISTOR	4.3kΩ 1/16W J	1	Z
	R932	NRSA63J-274X	MG RESISTOR	270kΩ 1/16W J	1	Z
	R933	NRSA63J-681X	MG RESISTOR	680Ω 1/16W J	1	Z
	R934	NRSA63J-753X	MG RESISTOR	75kΩ 1/16W J	1	Z
	R935	NRSA63J-753X	MG RESISTOR	75kΩ 1/16W J	1	Z
	R936	NRSA63D-103X	MG RESISTOR	10kΩ 1/16W D	1	Z
	R937	NRSA63J-182X	MG RESISTOR	1.8kΩ 1/16W J	1	Z
	R938	NRSA63D-513X	MG RESISTOR	51kΩ 1/16W D	1	Z
	L601	NQR0007-002X	FERRITE BEADS		1	Z
	L602	NQR0007-002X	FERRITE BEADS		1	Z
	L603	NQR0007-002X	FERRITE BEADS		1	Z
	L691	NQR0536-001X	CHOKE COIL		1	Z
	L931	NQL52EM-220X	COIL	22uH M	1	Z
	CN601	QGZ1102K1-20X	CONNECTOR	(1-20)	1	Z
	CN603	QNZ1006-001	USB CONNECTOR		1	Z
	CN603	QNZ0963-002	USB CONNECTOR		1	Z
	EN601	QSW1231-002	ROTARY ENCODER		1	Z
	PJ601	QNS0280-001	3.5 JACK		1	Z
	S601	NSW0326-001X	TACT SWITCH		1	Z
	S602	NSW0326-001X	TACT SWITCH		1	Z
	S603	NSW0326-001X	TACT SWITCH		1	Z
	S604	NSW0326-001X	TACT SWITCH		1	Z
	S605	NSW0326-001X	TACT SWITCH		1	Z
	S606	NSW0326-001X	TACT SWITCH		1	Z
	S607	NSW0326-001X	TACT SWITCH		1	Z
	S608	NSW0326-001X	TACT SWITCH		1	Z
	S609	NSW0326-001X	TACT SWITCH		1	Z
	S610	NSW0326-001X	TACT SWITCH		1	Z
	S611	NSW0326-001X	TACT SWITCH		1	Z

Packing materials and accessories

Block No.M3MM

No additional / supplemental order of WARRANTY CARDS are available.



The parts without symbol number are not service.

MODEL	MARK	MODEL	MARK	MODEL	MARK	MODEL	MARK
KD-R35E	A	KD-R35EY	B	KD-R38EE	C	KD-R411E	D
KD-R411EU	E	KD-R411EY	F	KD-R412E	G	KD-R412EU	H
KD-R412EY	I	KD-R414UI	J	KD-R415U	K	KD-R415UH	L
KD-R415UN	M	KD-R415UT	N	KD-R415UW	O	KD-R416SUN	P
KD-R416U	Q	KD-R416UH	R	KD-R416UN	S	KD-R416UT	T
KD-R416UW	U	KD-R417EE	V	KD-R418J	W	KD-R418UF	X
KD-R419UR	Y	KD-S27J	Z				

Safe	Symbol No.	Parts No.	Parts Name	Description	QTY	Local
Packing and accessories <M3MM>						
A1		GET0624-001A	INST BOOK	GER	1	A,B,D,F,G,I
A1		GET0624-005A	INST BOOK	SPA RUS TUR PER	1	E,H
A1		GET0623-001A	INST BOOK	ENG THA	1	K,L,Q,R
A1		GET0623-004A	INST BOOK	ENG INA	1	M,S
A1		GET0623-005A	INST BOOK	ENG CHI(TAIWAN)	1	N,O,T,U
A1		GET0623-011A	INST BOOK	INA	1	P
A2		GET0624-002A	INST BOOK	DUT SPA ITA POR	1	A,D,G
A2		GET0624-006A	INST BOOK	POL RUS GRE	1	B,F,I
A2		GET0623-003A	INST BOOK	RUS	1	K,Q
A3		GET0624-003A	INST BOOK	ENG FRE	1	A,D,E,G,H
A3		GET0624-007B	INST BOOK	ROH BUL CZE HUN	1	B,F,I
A4		GET0629-001A	INST.BK/MANUAL	RUS	1	C,V
A4		GET0659-001A	INST.BK/MANUAL	ENG	1	J
A4		GET0632-001A	INST.BK/MANUAL	ENG	1	W
A4		GET0644-001A	INST.BK/MANUAL	CHI(PEKIN)	1	X
A4		GET0698-001A	INST.BK/MANUAL	ENG	1	Z
A5		GET0629-002A	INST.BK/MANUAL	UKR	1	C,V
A5		GET0632-002A	INST.BK/MANUAL	SPA	1	W
A5		GET0698-002A	INST.BK/MANUAL	SPA	1	Z
A6		GET0632-003A	INSTALL MANUAL	FRE	1	W
A7		GET0624-015A	INSTALL MANUAL	GER	1	A,B,D,F,G,I
A7		GET0624-019A	INSTALL MANUAL	SPA RUS TUR PER	1	E,H
A7		GET0623-006A	INSTALL MANUAL	ENG THA	1	K,L,Q,R
A7		GET0623-009A	INSTALL MANUAL	ENG INA	1	M,S
A7		GET0623-010A	INSTALL MANUAL	ENG CHI(PEKIN)	1	N,O,T,U
A8		GET0624-016A	INSTALL MANUAL	DUT SPA ITA POR	1	A,D,G
A8		GET0624-020A	INSTALL MANUAL	POL RUS GRE	1	B,F,I
A8		GET0623-007A	INSTALL MANUAL	KOR CHI(PEKIN) ARA PER	1	K,Q
A9		GET0624-017A	INSTALL MANUAL	ENG FRE	1	A,D,E,G,H
A9		GET0624-021A	INSTALL MANUAL	ROM BUL CZE HUN	1	B,F,I
A9		GET0623-008A	INSTALL MANUAL	RUS	1	K,Q
A10		GET0623-002A	INST BOOK	KOR CHI(PEKIN) ARA PER	1	K,Q
A11		-----	WARRANTY CARD	BT-52008-1	1	W,Z
A12		-----	WARRANTY CARD	BT-51018-6	1	W,Z
A13		BT-51044-1	REGIST CARD		1	W,Z
A14		-----	WARRANTY CARD	BT-54042-1	1	A,B,C,D,F,G,I,V
A14		-----	WARRANTY CARD	BT-59033-1	1	X
A15		BT-59022-9	SVC CENTER LIST		1	X
A16		RM-RK50M	REMOCON UNIT		1	J,K,L,M,N,O,P,Q,R,S,T,U, X
A16		RM-RK50C1	REMOCON UNIT		1	W,Y,Z
△	A17	QAM1239-001	CAR CABLE		1	A,B,C,D,E,F,G,H,I,V
△	A17	QAM1145-001	CAR CABLE		1	J,K,L,M,N,O,Q,R,S,T,U,X
△	A17	QAM1302-001	CAR CABLE		1	P
△	A17	QAM1142-001	CAR CABLE		1	W,Z
△	A17	QAM1235-001	CAR CABLE		1	Y
A18		GE32320-001A	HARD CASE ASSY		1	J,K,L,M,N,O,P,Q,R,S,T,U, V,W,X,Y
A19		GE20267-001A	MOUNTING SLEEVE		1	A,B,C,D,E,F,G,H,I,J,K,L,M, N,O,Q,R,S,T,U,V,W,X,Y, Z
A20		GE20204-020A	TRIM PLATE		1	A,B,C,D,E,F,G,H,I,V
A20		GE20235-012A	TRIM PLATE		1	J,K,L,M,N,O
A20		GE20235-014A	TRIM PLATE		1	P,Q,R,S,T,U,W,X,Y,Z
A21		GE40481-001A	HOOK		2	A,B,C,D,E,F,G,H,I,J,K,L,M, N,O,Q,R,S,T,U,V,W,X,Y, Z
A22		LV44927-301A	RECYCLE MARK		2	X
A23		LV44928-301A	RECYCLE MARK		1	X
A24		GE40244-001A	BLIND PLATE		1	P
A25		QYSDSP5008ZA	SCREW	M5 x 8mm	4	P
A26		GET0222-001B	CAUTION SHEET		1	Z
P1		GE34004-001A	CARTON		1	A,B
P1		GE33776-001A	CARTON		1	C
P1		GE33826-001A	CARTON		1	D,E,F
P1		GE34001-001A	CARTON		1	G,H,I
P1		GE33900-001A	CARTON		1	J
P1		GE33823-001A	CARTON		1	K,L,M,N
P1		GE34028-001A	CARTON		1	O
P1		GE34068-001A	CARTON		1	P
P1		GE33897-001A	CARTON		1	Q,R,S,T
P1		GE34029-001A	CARTON		1	U
P1		GE33829-001A	CARTON		1	V
P1		GE33820-001A	CARTON		1	W
P1		GE33903-001A	CARTON		1	X
P1		GE34372-001A	CARTON		1	Z
P2		GE10270-001A	CUSHION		1	A,B,C,D,E,F,G,H,I,V

MODEL	MARK	MODEL	MARK	MODEL	MARK	MODEL	MARK
KD-R35E	A	KD-R35EY	B	KD-R38EE	C	KD-R411E	D
KD-R411EU	E	KD-R411EY	F	KD-R412E	G	KD-R412EU	H
KD-R412EY	I	KD-R414UI	J	KD-R415U	K	KD-R415UH	L
KD-R415UN	M	KD-R415UT	N	KD-R415UW	O	KD-R416SUN	P
KD-R416U	Q	KD-R416UH	R	KD-R416UN	S	KD-R416UT	T
KD-R416UW	U	KD-R417EE	V	KD-R418J	W	KD-R418UF	X
KD-R419UR	Y	KD-S27J	Z				

Safe	Symbol No.	Parts No.	Parts Name	Description	QTY	Local
	P2	GE10271-001A	CUSHION		1	J,K,L,M,N,O,P,Q,R,S,T,U, W,X,Z
	P3	QPC03004315PB	POLY BAG	30cm x 43cm	1	A,B,C,D,E,F,G,H,I,J,K,L,M, N,O,P,Q,R,S,T,U,V,W,X, Y
	P3	QPC03004315PG	POLY BAG	30cm x 43cm	1	Z
	P4	FSPG4002-001	POLY BAG		1	A,B,C,D,E,F,G,H,I,J,L,M, N,O,P,R,S,T,U,V,W,X,Y,Z
	P4	FSPG4002-001	POLY BAG		2	K,Q
	P5	GE40276-003A	AIR BUBBLE		1	A,B,C,D,E,F,G,H,I,Z
	P6	QPC01002515	POLY BAG	10cm x 25cm	1	J,K,L,M,N,O,P,Q,R,S,T,U, V,W,X,Y
	P7	QPA01003003	POLY BAG	10cm x 30cm	1	J,K,L,M,N,O,P,Q,R,S,T,U, V,W,X,Y
	P8	QPA00801205	POLY BAG	8cm x 12cm	1	P



REVISION INFORMATION

CD RECEIVER

**KD-R35E, KD-R35EY, KD-R38EE, KD-R411E,
KD-R411EY, KD-R411EU, KD-R412E, KD-R412EY,
KD-R412EU, KD-R414UI, KD-R415U, KD-R415UN,
KD-R415UT, KD-R415UH, KD-R415UW, KD-R416U,
KD-R416UN, KD-R416UT, KD-R416UH, KD-R416UW,
KD-R417EE, KD-R418J, KD-R418UF, KD-R416SUN,
KD-R419UR**

■ OVERVIEW

Add KD-R416SUN and KD-R419UR.

■ DETAILS

COVER SECTION

Title	Line	No.MA465<Rev.001>	No.MA465<Rev.002>	Description
Revision		Rev. 001	Rev. 002	
Issue Date		2009/12	2010/03	
Model No.		KD-R35E, KD-R35EY, KD-R38EE, KD-R411E, KD-R411EU, KD-R411EY, KD-R412E, KD-R412EU, KD-R412EY, KD-R414UI, KD-R415U, KD-R415UH, KD-R415UN, KD-R415UT, KD-R415UW, KD-R416U, KD-R416UH, KD-R416UN, KD-R416UT, KD-R416UW, KD-R417EE, KD-R418J, KD-R418UF	KD-R35E, KD-R35EY, KD-R38EE, KD-R411E, KD-R411EU, KD-R411EY, KD-R412E, KD-R412EU, KD-R412EY, KD-R414UI, KD-R415U, KD-R415UH, KD-R415UN, KD-R415UT, KD-R415UW, KD-R416SUN , KD-R416U, KD-R416UH, KD-R416UN, KD-R416UT, KD-R416UW, KD-R417EE, KD-R418J, KD-R418UF, KD-R419UR	
Cover Illustration		ILLUSTRATION(ma465_0001.png)	ILLUSTRATION(ma465_0001.png)	
Copyright		COPYRIGHT (C) 2009 Victor Company of Japan, Limited	COPYRIGHT (C) 2010 Victor Company of Japan, Limited	
SPECIFICATION	52	KD-R418	KD-R418/ KD-R419	

SECTION 5 TROUBLESHOOTING

Title	Line	No.MA465<Rev.001>	No.MA465<Rev.002>	Description
5 TROUBLESHOOTING	4	-	ILLUSTRATION(ma465_5004.png)	
	5	-	ILLUSTRATION(ma465_5005.png)	

STANDARD SCHEMATIC DIAGRAMS

Schematic Diagram

Diagram Name	No.MA465<Rev.001>	No.MA465<Rev.002>	Description
Menu	LCD & Key control section (for Except KD-R35E,35EY,38EE,411E,411EY,411EU,412E,412EY,412EU,417EE)	LCD & Key control section (for Except KD-R35E,35EY,38EE,411E,411EY,411EU,412E,412EY,412EU,417EE, KD-R416SUN,R419UR)	
Menu	-	Main section (for KD-R416SUN,R419UR) ma465_s010.svgz	

Printed Circuit Board

Diagram Name	No.MA465<Rev.001>	No.MA465<Rev.002>	Description
Menu	Switch board (for Except KD-R35E,35EY,38EE,411E,411EY,411EU,412E,412EY,412EU,417EE)	Switch board (for Except KD-R35E,35EY,38EE,411E,411EY,411EU,412E,412EY,412EU,417EE, KD-R416SUN,R419UR)	
Menu	Sub board (for Except KD-R35E,35EY,38EE,411E,411EY,411EU,412E,412EY,412EU,417EE)	Sub board (for Except KD-R35E,35EY,38EE,411E,411EY,411EU,412E,412EY,412EU,417EE, KD-R416SUN,R419UR)	
Menu	-	Main board (for KD-R416SUN,R419UR) ma465_p010.svgz	

Description of Major ICs

Diagram Name	No.MA465<Rev.001>	No.MA465<Rev.002>	Description
Menu	IC301: TB2926CHQ	IC301: TB2926CHQK	

PARTS LIST

MODEL No. LIST

Model No.	No.MA465<Rev.002>
KD-R35E	01
KD-R35EY	02
KD-R38EE	03
KD-R411E	04
KD-R411EU	06
KD-R411EY	05
KD-R412E	07
KD-R412EU	09
KD-R412EY	08

Model No.	No.MA465<Rev.002>
KD-R414UI	0A
KD-R415U	0B
KD-R415UH	0E
KD-R415UN	0C
KD-R415UT	0D
KD-R415UW	0F
KD-R416SUN	18
KD-R416U	10
KD-R416UH	13

Model No.	No.MA465<Rev.002>
KD-R416UN	11
KD-R416UT	12
KD-R416UW	14
KD-R417EE	15
KD-R418J	16
KD-R418UF	17
KD-R419UR	19

General assembly [M1MM]

△	Symbol	or	Part No.		Part Name	Description	Qty	Models
			<Rev.001>	<Rev.002>				
	M1MM	22	-----	GE30999-004A	COMP.SPRING	(Addition)	1	18
	M1MM	26	-----	GE33794-020A	FINDER ASSY	(Addition)	1	19
	M1MM	44	-----	GE34067-001A	NAME PLATE	(Addition)	1	18

Main board R416SUN,R419UR [06]

△	Symbol	or	Part No.		Part Name	Description	Qty	Models
			<Rev.001>	<Rev.002>				
	06	IC1	-----	TEF6606T/V5-X	IC	(Addition)	1	18,19
	06	IC161	-----	TDA7718N-X	IC	(Addition)	1	18,19
	06	IC301	-----	TB2926CHQK	IC	(Addition)	1	18
	06	IC301	-----	TB2926CHQ	IC	(Addition)	1	19

△	Symbol	or	Part No.		Part Name	Description	Qty	Models
			<Rev.001>	<Rev.002>				
	06	IC381	-----	NJM2160BV-X	IC	(Addition)	1	18
	06	IC581	-----	NJM4565E-X	IC	(Addition)	1	18,19
△	06	IC701	-----	MN101E16KEK	IC(MCU)	(Addition)	1	18,19
	06	IC702	-----	S-80824CNNB-G-W	IC	(Addition)	1	18,19
	06	IC702	or	IC-PST3424U-X	IC	(Addition)	1	18
	06	IC771	-----	R1EX24002ASAA-X	IC	(Addition)	1	18,19
△	06	IC901	-----	R2S25400DS-E	IC	(Addition)	1	18,19
	06	IC951	-----	XC6213B332NG-X	IC	(Addition)	1	18,19
	06	Q331	-----	IMX9-W	PAIR TRANSISTOR	(Addition)	1	18,19
	06	Q701	-----	RT1N141C-X	DIGI TRANSISTOR	(Addition)	1	18,19
	06	Q701	or	UN2211-X	TRANSISTOR	(Addition)	1	18
	06	Q781	-----	RT1P141C-X	DIGI TRANSISTOR	(Addition)	1	18,19
	06	Q781	or	UN2111-X	TRANSISTOR	(Addition)	1	18
	06	Q782	-----	2SC1623A/5-6/-X	TRANSISTOR	(Addition)	1	18,19
	06	Q782	or	2SC3928A/QR/-X	TRANSISTOR	(Addition)	1	18
	06	Q784	-----	RT1P141C-X	DIGI TRANSISTOR	(Addition)	1	18,19
	06	Q784	or	UN2111-X	TRANSISTOR	(Addition)	1	18
	06	Q921	-----	2SB1132/QR/-W	TRANSISTOR	(Addition)	1	18
	06	Q922	-----	RT1N141C-X	DIGI TRANSISTOR	(Addition)	1	18
	06	Q922	or	UN2211-X	TRANSISTOR	(Addition)	1	18
	06	Q976	-----	RT1N141C-X	DIGI TRANSISTOR	(Addition)	1	18,19
	06	Q976	or	UN2211-X	TRANSISTOR	(Addition)	1	18
	06	Q977	-----	2SA812A/5-6/-X	TRANSISTOR	(Addition)	1	18,19
	06	Q977	or	ISA1530AC1/QR/X	TRANSISTOR	(Addition)	1	18
	06	Q978	-----	2SC1623A/5-6/-X	TRANSISTOR	(Addition)	1	18,19
	06	Q978	or	2SC3928A/QR/-X	TRANSISTOR	(Addition)	1	18
	06	D331	-----	BAW56-TP-X	SI DIODE	(Addition)	1	18
	06	D331	-----	MC2836-X	DIODE	(Addition)	1	19
	06	D331	or	MC2836-X	DIODE	(Addition)	1	18
	06	D712	-----	HSU119-X	SI DIODE	(Addition)	1	18,19
	06	D712	or	MA111-X	SI DIODE	(Addition)	1	18
	06	D715	-----	RKZ5.1B2KG-X	Z DIODE	(Addition)	1	18,19
	06	D716	-----	RKZ5.1B2KG-X	Z DIODE	(Addition)	1	18,19
	06	D717	-----	RKZ5.1B2KG-X	Z DIODE	(Addition)	1	18,19
	06	D718	-----	RKZ5.1B2KG-X	Z DIODE	(Addition)	1	18,19
	06	D781	-----	HSU119-X	SI DIODE	(Addition)	1	18,19
	06	D781	or	MA111-X	SI DIODE	(Addition)	1	18
	06	D782	-----	NRSA02J-0R0X	MG RESISTOR	(Addition)	1	18,19
	06	D784	-----	RKZ10B2KG-X	Z DIODE	(Addition)	1	18,19
	06	D784	or	MA8100/M/-X	Z DIODE	(Addition)	1	18
	06	D851	-----	MBRX130-TP-X	SB DIODE	(Addition)	1	18
	06	D851	or	MA22D23-X	SB DIODE	(Addition)	1	18
	06	D852	-----	MBRX130-TP-X	SB DIODE	(Addition)	1	18
	06	D852	or	MA22D23-X	SB DIODE	(Addition)	1	18
	06	D901	-----	1N5401-BPC04	SI DIODE	(Addition)	1	18
	06	D901	-----	1N5401-04	SI DIODE	(Addition)	1	19
	06	D901	or	1N5401-04	SI DIODE	(Addition)	1	18
	06	D903	-----	HSU119-X	SI DIODE	(Addition)	1	18,19
	06	D903	or	MA111-X	SI DIODE	(Addition)	1	18
	06	D971	-----	MBRX130-TP-X	SB DIODE	(Addition)	1	18,19
	06	D971	or	MA22D23-X	SB DIODE	(Addition)	1	18
	06	D972	-----	MBRX130-TP-X	SB DIODE	(Addition)	1	18,19
	06	D972	or	MA22D23-X	SB DIODE	(Addition)	1	18
	06	C1	-----	NCB31HK-102X	C CAPACITOR	(Addition)	1	18,19
	06	C2	-----	NDC31HJ-7R0X	C CAPACITOR	(Addition)	1	18,19
	06	C3	-----	NCB31HK-102X	C CAPACITOR	(Addition)	1	18,19
	06	C4	-----	NCB31CK-224X	C CAPACITOR	(Addition)	1	18,19
	06	C5	-----	NDC31HJ-150X	C CAPACITOR	(Addition)	1	18,19
	06	C7	-----	NDC31HJ-220X	C CAPACITOR	(Addition)	1	18,19
	06	C8	-----	NCJ11EK-106X-A	C CAPACITOR	(Addition)	1	18,19
	06	C10	-----	NCB21EK-105X	C CAPACITOR	(Addition)	1	18,19
	06	C11	-----	NCB31HK-103X	C CAPACITOR	(Addition)	1	18,19
	06	C12	-----	NCB31HK-103X	C CAPACITOR	(Addition)	1	18,19
	06	C13	-----	NCB21EK-105X	C CAPACITOR	(Addition)	1	18,19
	06	C14	-----	NCB31CK-224X	C CAPACITOR	(Addition)	1	18,19
	06	C15	-----	NCB31CK-104X	C CAPACITOR	(Addition)	1	18,19
	06	C16	-----	NCB31HK-103X	C CAPACITOR	(Addition)	1	18,19
	06	C17	-----	NCB31CK-104X	C CAPACITOR	(Addition)	1	18,19

△	Symbol	or	Part No.		Part Name	Description	Qty	Models
			<Rev.001>	<Rev.002>				
06	C18		-----	NCB31HK-103X	C CAPACITOR	(Addition)	1	18,19
06	C19		-----	NCB31CK-104X	C CAPACITOR	(Addition)	1	18,19
06	C22		-----	NDC31HJ-120X	C CAPACITOR	(Addition)	1	18,19
06	C23		-----	NCB31CK-104X	C CAPACITOR	(Addition)	1	18,19
06	C24		-----	NCB31HK-103X	C CAPACITOR	(Addition)	1	18,19
06	C25		-----	NCB31HK-103X	C CAPACITOR	(Addition)	1	18,19
06	C27		-----	QEKJ1EM-106Z	E CAPACITOR	(Addition)	1	18,19
06	C33		-----	NDC31HJ-5R6X	C CAPACITOR	(Addition)	1	18,19
06	C162		-----	NCB31CK-105X	C CAPACITOR	(Addition)	1	18,19
06	C163		-----	QTE1H64-225Z	E CAPACITOR	(Addition)	1	18,19
06	C164		-----	NCB31CK-105X	C CAPACITOR	(Addition)	1	18,19
06	C165		-----	NCB31CK-105X	C CAPACITOR	(Addition)	1	18,19
06	C168		-----	NCB31CK-105X	C CAPACITOR	(Addition)	1	18,19
06	C172		-----	NCB31CK-105X	C CAPACITOR	(Addition)	1	18,19
06	C173		-----	QTE1H64-225Z	E CAPACITOR	(Addition)	1	18,19
06	C174		-----	NCB31CK-105X	C CAPACITOR	(Addition)	1	18,19
06	C176		-----	QTE1H57-335Z	E CAPACITOR	(Addition)	1	18,19
06	C177		-----	NDC31HJ-560X	C CAPACITOR	(Addition)	1	18,19
06	C178		-----	QTE1C57-106Z	E CAPACITOR	(Addition)	1	18,19
06	C184		-----	NCB31CK-104X	C CAPACITOR	(Addition)	1	18,19
06	C301		-----	QTE1C66-474Z	E CAPACITOR	(Addition)	1	18,19
06	C302		-----	QTE1C66-474Z	E CAPACITOR	(Addition)	1	18,19
06	C303		-----	NCB21CK-474X-A	C CAPACITOR	(Addition)	1	18,19
06	C304		-----	NCB21CK-474X-A	C CAPACITOR	(Addition)	1	18,19
06	C311		-----	QTE1C66-474Z	E CAPACITOR	(Addition)	1	18,19
06	C312		-----	QTE1C66-474Z	E CAPACITOR	(Addition)	1	18,19
06	C313		-----	NCB21CK-474X-A	C CAPACITOR	(Addition)	1	18,19
06	C314		-----	NCB21CK-474X-A	C CAPACITOR	(Addition)	1	18,19
06	C315		-----	NCB31CK-105X	C CAPACITOR	(Addition)	1	18,19
06	C316		-----	QEKJ1HM-475Z	E CAPACITOR	(Addition)	1	18,19
06	C317		-----	QTE1C57-226Z	E CAPACITOR	(Addition)	1	18,19
06	C326		-----	QERF1CM-106Z-E	E CAPACITOR	(Addition)	1	18,19
06	C327		-----	NCB21AK-105X-A	C CAPACITOR	(Addition)	1	18,19
06	C383		-----	QEKJ1HM-475Z	E CAPACITOR	(Addition)	1	18
06	C384		-----	QEKJ1HM-475Z	E CAPACITOR	(Addition)	1	18
06	C385		-----	NCB31HK-104X	C CAPACITOR	(Addition)	1	18
06	C386		-----	NCB31HK-104X	C CAPACITOR	(Addition)	1	18
06	C387		-----	NCB31HK-152X	C CAPACITOR	(Addition)	1	18
06	C388		-----	NCB31HK-152X	C CAPACITOR	(Addition)	1	18
06	C389		-----	QEKJ1CM-107Z	E CAPACITOR	(Addition)	1	18
06	C390		-----	QEKJ1CM-107Z	E CAPACITOR	(Addition)	1	18
06	C392		-----	QEKJ1CM-106Z	E CAPACITOR	(Addition)	1	18
06	C393		-----	QEKJ1HM-475Z	E CAPACITOR	(Addition)	1	18,19
06	C394		-----	QEKJ1HM-475Z	E CAPACITOR	(Addition)	1	18,19
06	C583		-----	NCB31HK-821X	C CAPACITOR	(Addition)	1	18,19
06	C584		-----	NCB31HK-821X	C CAPACITOR	(Addition)	1	18,19
06	C585		-----	QTE1H57-475Z	E CAPACITOR	(Addition)	1	18,19
06	C586		-----	QTE1H57-475Z	E CAPACITOR	(Addition)	1	18,19
06	C587		-----	NDC31HJ-151X	C CAPACITOR	(Addition)	1	18,19
06	C588		-----	NDC31HJ-151X	C CAPACITOR	(Addition)	1	18,19
06	C590		-----	QTE0J57-476Z	E CAPACITOR	(Addition)	1	18,19
06	C591		-----	QTE1A57-107Z	E CAPACITOR	(Addition)	1	18,19
06	C592		-----	NCB31HK-104X	C CAPACITOR	(Addition)	1	18,19
06	C703		-----	NDC31HJ-8R0X	C CAPACITOR	(Addition)	1	18,19
06	C704		-----	NDC31HJ-9R0X	C CAPACITOR	(Addition)	1	18,19
06	C707		-----	QEKJ1CM-107Z	E CAPACITOR	(Addition)	1	18,19
06	C708		-----	NCB31CK-104X	C CAPACITOR	(Addition)	1	18,19
06	C709		-----	NCB31CK-104X	C CAPACITOR	(Addition)	1	18,19
06	C711		-----	QEKJ0JM-476Z	E CAPACITOR	(Addition)	1	18,19
06	C714		-----	NCB31CK-104X	C CAPACITOR	(Addition)	1	18,19
06	C715		-----	NCB31CK-104X	C CAPACITOR	(Addition)	1	18,19
06	C717		-----	NCB31HK-821X	C CAPACITOR	(Addition)	1	18,19
06	C718		-----	NCB31CK-104X	C CAPACITOR	(Addition)	1	18,19
06	C719		-----	QERF1AM-107Z	E CAPACITOR	(Addition)	1	18,19
06	C720		-----	NDC31HJ-820X	C CAPACITOR	(Addition)	1	18,19
06	C721		-----	NCB31CK-104X	C CAPACITOR	(Addition)	1	18,19
06	C722		-----	QERF1EM-475Z	E CAPACITOR	(Addition)	1	18,19
06	C725		-----	NCB31CK-105X	C CAPACITOR	(Addition)	1	18,19

△	Symbol	or	Part No.		Part Name	Description	Qty	Models
			<Rev.001>	<Rev.002>				
06	C733		-----	NCJ11EK-106X-A	C CAPACITOR	(Addition)	1	18,19
06	C736		-----	NCB31CK-104X	C CAPACITOR	(Addition)	1	18,19
06	C737		-----	NDC31HJ-101X	C CAPACITOR	(Addition)	1	18,19
06	C771		-----	NCB31CK-473X	C CAPACITOR	(Addition)	1	18,19
06	C781		-----	QEKJ0JM-107Z	E CAPACITOR	(Addition)	1	18,19
06	C784		-----	QERF1CM-107Z	E CAPACITOR	(Addition)	1	18,19
06	C851		-----	QEKJ1EM-106Z	E CAPACITOR	(Addition)	1	18
06	C852		-----	NCB31CK-224X	C CAPACITOR	(Addition)	1	18
06	C901		-----	QEZ0870-278	E CAPACITOR	(Addition)	1	18,19
06	C902		-----	NCB31AK-474X	C CAPACITOR	(Addition)	1	18,19
06	C903		-----	QEKJ1CM-107Z	E CAPACITOR	(Addition)	1	18,19
06	C904		-----	QERFLAM-227Z	E CAPACITOR	(Addition)	1	18,19
06	C905		-----	QEKJ1CM-476Z	E CAPACITOR	(Addition)	1	18,19
06	C906		-----	NCB31HK-103X	C CAPACITOR	(Addition)	1	18,19
06	C907		-----	QEKJ1CM-107Z	E CAPACITOR	(Addition)	1	18,19
06	C908		-----	QEKJ1CM-476Z	E CAPACITOR	(Addition)	1	18,19
06	C910		-----	QEKJ1EM-106Z	E CAPACITOR	(Addition)	1	18,19
06	C912		-----	NCB31HK-103X	C CAPACITOR	(Addition)	1	18,19
06	C913		-----	QEKJ1EM-106Z	E CAPACITOR	(Addition)	1	18,19
06	C915		-----	NCB31CK-104X	C CAPACITOR	(Addition)	1	18,19
06	C917		-----	QERF0JM-337Z	E CAPACITOR	(Addition)	1	18,19
06	C951		-----	NCB31CK-104X	C CAPACITOR	(Addition)	1	18,19
06	C952		-----	NCB31CK-104X	C CAPACITOR	(Addition)	1	18,19
06	C971		-----	NCB31HK-104X	C CAPACITOR	(Addition)	1	18,19
06	C991		-----	NCB31HK-472X	C CAPACITOR	(Addition)	1	18,19
06	R1		-----	NRSA63J-474X	MG RESISTOR	(Addition)	1	18,19
06	R2		-----	NRSA63J-474X	MG RESISTOR	(Addition)	1	18,19
06	R3		-----	NRSA63J-101X	MG RESISTOR	(Addition)	1	18,19
06	R4		-----	NRSA63J-472X	MG RESISTOR	(Addition)	1	18,19
06	R5		-----	NRSA02J-470X	MG RESISTOR	(Addition)	1	18,19
06	R6		-----	NRSA63J-0R0X	MG RESISTOR	(Addition)	1	18,19
06	R7		-----	NRSA63J-0R0X	MG RESISTOR	(Addition)	1	18,19
06	R8		-----	NRSA02J-470X	MG RESISTOR	(Addition)	1	18,19
06	R11		-----	NRS181J-4R7X	MG RESISTOR	(Addition)	1	18,19
06	R14		-----	NRSA63J-472X	MG RESISTOR	(Addition)	1	18,19
06	R15		-----	NRS181J-472X	MG RESISTOR	(Addition)	1	18,19
06	R161		-----	NRSA63J-472X	MG RESISTOR	(Addition)	1	18,19
06	R162		-----	NRSA63J-472X	MG RESISTOR	(Addition)	1	18,19
06	R163		-----	NRSA63J-123X	MG RESISTOR	(Addition)	1	18,19
06	R164		-----	NRSA63J-222X	MG RESISTOR	(Addition)	1	18,19
06	R165		-----	NRSA63J-123X	MG RESISTOR	(Addition)	1	18,19
06	R168		-----	NRS181J-103X	MG RESISTOR	(Addition)	1	18,19
06	R169		-----	NRSA63J-0R0X	MG RESISTOR	(Addition)	1	18,19
06	R171		-----	NRSA63J-101X	MG RESISTOR	(Addition)	1	18,19
06	R172		-----	NRSA63J-101X	MG RESISTOR	(Addition)	1	18,19
06	R305		-----	NRSA63J-102X	MG RESISTOR	(Addition)	1	18,19
06	R309		-----	NRS181J-100X	MG RESISTOR	(Addition)	1	18,19
06	R310		-----	NRSA63J-472X	MG RESISTOR	(Addition)	1	18,19
06	R341		-----	NRSA63J-222X	MG RESISTOR	(Addition)	1	18,19
06	R342		-----	NRSA63J-821X	MG RESISTOR	(Addition)	1	18,19
06	R343		-----	NRSA63J-101X	MG RESISTOR	(Addition)	1	18,19
06	R344		-----	NRSA63J-473X	MG RESISTOR	(Addition)	1	18,19
06	R351		-----	NRSA63J-222X	MG RESISTOR	(Addition)	1	18,19
06	R352		-----	NRSA63J-821X	MG RESISTOR	(Addition)	1	18,19
06	R353		-----	NRSA63J-101X	MG RESISTOR	(Addition)	1	18,19
06	R354		-----	NRSA63J-473X	MG RESISTOR	(Addition)	1	18,19
06	R381		-----	NRSA63J-102X	MG RESISTOR	(Addition)	1	18
06	R382		-----	NRSA63J-102X	MG RESISTOR	(Addition)	1	18
06	R383		-----	NRSA63J-104X	MG RESISTOR	(Addition)	1	18
06	R384		-----	NRSA63J-104X	MG RESISTOR	(Addition)	1	18
06	R385		-----	NRSA63J-223X	MG RESISTOR	(Addition)	1	18
06	R386		-----	NRS181J-223X	MG RESISTOR	(Addition)	1	18
06	R387		-----	NRSA63J-333X	MG RESISTOR	(Addition)	1	18
06	R388		-----	NRSA63J-333X	MG RESISTOR	(Addition)	1	18
06	R389		-----	NRSA63J-0R0X	MG RESISTOR	(Addition)	1	19
06	R390		-----	NRSA63J-0R0X	MG RESISTOR	(Addition)	1	19
06	R583		-----	NRSA63J-153X	MG RESISTOR	(Addition)	1	18,19
06	R584		-----	NRSA63J-153X	MG RESISTOR	(Addition)	1	18,19

△	Symbol	or	Part No.		Part Name	Description	Qty	Models
			<Rev.001>	<Rev.002>				
06	R585		-----	NRSA63J-562X	MG RESISTOR	(Addition)	1	18,19
06	R586		-----	NRSA63J-562X	MG RESISTOR	(Addition)	1	18,19
06	R587		-----	NRSA63J-273X	MG RESISTOR	(Addition)	1	18,19
06	R588		-----	NRSA63J-273X	MG RESISTOR	(Addition)	1	18,19
06	R591		-----	NRSA63J-103X	MG RESISTOR	(Addition)	1	18,19
06	R592		-----	NRSA63J-103X	MG RESISTOR	(Addition)	1	18,19
06	R593		-----	NRS181J-223X	MG RESISTOR	(Addition)	1	18,19
06	R594		-----	NRSA63J-223X	MG RESISTOR	(Addition)	1	18,19
06	R701		-----	NRSA63J-103X	MG RESISTOR	(Addition)	1	18,19
06	R702		-----	NRSA63J-103X	MG RESISTOR	(Addition)	1	18,19
06	R703		-----	NRSA63J-104X	MG RESISTOR	(Addition)	1	18,19
06	R704		-----	NRSA63J-104X	MG RESISTOR	(Addition)	1	18,19
06	R707		-----	NRSA63J-473X	MG RESISTOR	(Addition)	1	18,19
06	R708		-----	NRSA63J-104X	MG RESISTOR	(Addition)	1	18,19
06	R710		-----	NRSA63J-104X	MG RESISTOR	(Addition)	1	18
06	R711		-----	NRSA63J-473X	MG RESISTOR	(Addition)	1	19
06	R713		-----	NRSA63J-473X	MG RESISTOR	(Addition)	1	18,19
06	R715		-----	NRSA63J-331X	MG RESISTOR	(Addition)	1	18,19
06	R716		-----	NRSA63J-471X	MG RESISTOR	(Addition)	1	18,19
06	R720		-----	NRSA63J-102X	MG RESISTOR	(Addition)	1	18,19
06	R724		-----	NRSA63J-102X	MG RESISTOR	(Addition)	1	18,19
06	R725		-----	NRSA63J-102X	MG RESISTOR	(Addition)	1	18,19
06	R726		-----	NRSA63J-273X	MG RESISTOR	(Addition)	1	18,19
06	R727		-----	NRSA63J-122X	MG RESISTOR	(Addition)	1	18,19
06	R728		-----	NRSA63J-102X	MG RESISTOR	(Addition)	1	18,19
06	R730		-----	NRSA63J-102X	MG RESISTOR	(Addition)	1	18,19
06	R731		-----	NRSA63J-101X	MG RESISTOR	(Addition)	1	18,19
06	R732		-----	NRSA63J-473X	MG RESISTOR	(Addition)	1	18,19
06	R733		-----	NRSA63J-473X	MG RESISTOR	(Addition)	1	18,19
06	R736		-----	NRSA63J-561X	MG RESISTOR	(Addition)	1	18,19
06	R737		-----	NRSA63J-561X	MG RESISTOR	(Addition)	1	18,19
06	R738		-----	NRSA63J-561X	MG RESISTOR	(Addition)	1	18,19
06	R739		-----	NRSA63J-101X	MG RESISTOR	(Addition)	1	18,19
06	R741		-----	NRSA63J-101X	MG RESISTOR	(Addition)	1	18,19
06	R742		-----	NRSA63J-101X	MG RESISTOR	(Addition)	1	18,19
06	R744		-----	NRS181J-101X	MG RESISTOR	(Addition)	1	18,19
06	R746		-----	NRSA63J-104X	MG RESISTOR	(Addition)	1	18,19
06	R747		-----	NRSA63J-103X	MG RESISTOR	(Addition)	1	18,19
06	R748		-----	NRSA63J-122X	MG RESISTOR	(Addition)	1	18,19
06	R749		-----	NRSA63J-102X	MG RESISTOR	(Addition)	1	18,19
06	R750		-----	NRSA63J-104X	MG RESISTOR	(Addition)	1	18,19
06	R752		-----	NRSA63J-472X	MG RESISTOR	(Addition)	1	18,19
06	R753		-----	NRSA63J-472X	MG RESISTOR	(Addition)	1	18,19
06	R755		-----	NRSA63J-472X	MG RESISTOR	(Addition)	1	18,19
06	R756		-----	NRSA63J-472X	MG RESISTOR	(Addition)	1	18,19
06	R758		-----	NRSA63J-473X	MG RESISTOR	(Addition)	1	18,19
06	R759		-----	NRSA63J-0R0X	MG RESISTOR	(Addition)	1	18,19
06	R761		-----	NRSA63J-102X	MG RESISTOR	(Addition)	1	18,19
06	R762		-----	NRSA63J-102X	MG RESISTOR	(Addition)	1	18,19
06	R763		-----	NRSA63J-823X	MG RESISTOR	(Addition)	1	18,19
06	R765		-----	NRSA63J-472X	MG RESISTOR	(Addition)	1	18,19
06	R766		-----	NRSA63J-472X	MG RESISTOR	(Addition)	1	18,19
06	R767		-----	NRSA63J-473X	MG RESISTOR	(Addition)	1	18,19
06	R771		-----	NRSA63J-271X	MG RESISTOR	(Addition)	1	18,19
06	R772		-----	NRSA63J-271X	MG RESISTOR	(Addition)	1	18,19
06	R774		-----	NRSA63J-473X	MG RESISTOR	(Addition)	1	18,19
06	R775		-----	NRSA63J-222X	MG RESISTOR	(Addition)	1	18,19
06	R777		-----	NRSA63J-103X	MG RESISTOR	(Addition)	1	18,19
06	R779		-----	NRSA63J-101X	MG RESISTOR	(Addition)	1	18,19
06	R781		-----	NRS181J-473X	MG RESISTOR	(Addition)	1	18,19
06	R782		-----	NRSA63J-472X	MG RESISTOR	(Addition)	1	18,19
06	R783		-----	NRSA63J-103X	MG RESISTOR	(Addition)	1	18,19
06	R784		-----	NRSA63J-103X	MG RESISTOR	(Addition)	1	18,19
06	R851		-----	NRSA63J-472X	MG RESISTOR	(Addition)	1	18
06	R901		-----	QRE141J-103Y	C RESISTOR	(Addition)	1	18,19
06	R902		-----	NRSA02J-0R0X	MG RESISTOR	(Addition)	1	18,19
06	R903		-----	NRSA02J-472X	MG RESISTOR	(Addition)	1	18,19
06	R921		-----	NRSA63J-473X	MG RESISTOR	(Addition)	1	18

△	Symbol	or	Part No.		Part Name	Description	Qty	Models	
			<Rev.001>	<Rev.002>					
	06	R922	-----	QRE141J-102Y	C RESISTOR	(Addition)	1	18	
	06	R930	-----	NRSA63J-103X	MG RESISTOR	(Addition)	1	18,19	
	06	R952	-----	NRSA63J-0R0X	MG RESISTOR	(Addition)	1	18	
	06	R971	-----	NRS181J-332X	MG RESISTOR	(Addition)	1	18,19	
	06	R976	-----	NRSA02J-273X	MG RESISTOR	(Addition)	1	18,19	
	06	R977	-----	NRSA02J-123X	MG RESISTOR	(Addition)	1	18,19	
	06	L1	-----	NQL093K-R47X	P COIL	(Addition)	1	18,19	
	06	L2	-----	NQL093K-1R8X	P COIL	(Addition)	1	18,19	
	06	L3	-----	NQL093K-R22X	P COIL	(Addition)	1	18,19	
	06	L4	-----	QQR1872-001	RF COIL	(Addition)	1	18,19	
	06	L5	-----	QQL244J-561Z	COIL	(Addition)	1	18,19	
	06	L6	-----	QQL244J-561Z	COIL	(Addition)	1	18,19	
	06	L8	-----	QQL231K-4R7Y	INDUCTOR	(Addition)	1	18,19	
	06	L9	-----	QQL231K-4R7Y	INDUCTOR	(Addition)	1	18,19	
	06	L31	-----	NQL093K-R47X	P COIL	(Addition)	1	18,19	
	06	L701	-----	QQL231K-4R7Y	INDUCTOR	(Addition)	1	18,19	
	06	L702	-----	QQL231K-4R7Y	INDUCTOR	(Addition)	1	18,19	
△	06	L901	-----	QQR1852-001	CHOKO COIL	(Addition)	1	18,19	
△	06	L901	or	-----	QQR0703-001	CHOKO COIL	(Addition)	1	18
	06	L930	-----	NQLH25M-4R7X	COIL	(Addition)	1	18,19	
	06	CN501	-----	QGB2027ME-28	CONNECTOR	(Addition)	1	18,19	
	06	CN701	-----	QGZ1101J1-20	CONNECTOR	(Addition)	1	18,19	
	06	CN901	-----	QNZ0607-001	CAR CONNECTOR	(Addition)	1	18,19	
	06	J1	-----	QNB0190-001	ANT TERMINAL	(Addition)	1	18,19	
	06	J1	or	-----	QNB0348-001	ANT TERMINAL	(Addition)	1	18
	06	J321	-----	QNN0802-001	PIN JACK	(Addition)	1	18,19	
	06	K162	-----	NRSA02J-0R0X	MG RESISTOR	(Addition)	1	18,19	
	06	S701	-----	QSW0648-001Z	TACT SWITCH	(Addition)	1	18,19	
	06	X1	-----	QAX0952-001Z	CRYSTAL	(Addition)	1	18,19	
	06	X701	-----	QAX0667-001Z	C RESONATOR	(Addition)	1	18,19	
	06	X702	-----	QAX0953-001	CRYSTAL	(Addition)	1	18,19	

Packing and accessories [M3MM]

△	Symbol	or	Part No.		Part Name	Description	Qty	Models
			<Rev.001>	<Rev.002>				
	M3MM	A1	-----	GET0623-011A	INST BOOK	(Addition)	1	18
△	M3MM	A17	-----	QAM1302-001	CAR CABLE	(Addition)	1	18
△	M3MM	A17	-----	QAM1235-001	CAR CABLE	(Addition)	1	19
	M3MM	A24	-----	GE40244-001A	BLIND PLATE	(Addition)	1	18
	M3MM	A25	-----	QYSDSP5008ZA	SCREW	(Addition)	4	18
	M3MM	P1	-----	GE34068-001A	CARTON	(Addition)	1	18
	M3MM	P8	-----	QPA00801205	POLY BAG	(Addition)	1	18



JVC

Victor Company of Japan, Limited

Mobile Entertainment Division 10-1,1chome,Ohwatari-machi,Maebashi-city,371-8543,Japan



REVISION INFORMATION

CD RECEIVER

**KD-R35E, KD-R35EY, KD-R38EE, KD-R411E,
KD-R411EY, KD-R411EU, KD-R412E, KD-R412EY,
KD-R412EU, KD-R414UI, KD-R415U, KD-R415UN,
KD-R415UT, KD-R415UH, KD-R415UW, KD-R416U,
KD-R416UN, KD-R416UT, KD-R416UH, KD-R416UW,
KD-R417EE, KD-R418J, KD-R418UF, KD-R416SUN,
KD-R419UR, KD-S27J**

■ OVERVIEW

Add KD-S27J.

■ DETAILS

COVER SECTION

Title	Line	No.MA465<Rev.002>	No.MA465<Rev.003>	Description
Revision		Rev.002	Rev.003	
Issue Date		2010/03	2010/08	
Model No.		KD-R35E, KD-R35EY, KD-R38EE, KD-R411E, KD-R411EU, KD-R411EY, KD-R412E, KD-R412EU, KD-R412EY, KD-R414UI, KD-R415U, KD-R415UH, KD-R415UN, KD-R415UT, KD-R415UW, KD-R416SUN, KD-R416U, KD-R416UH, KD-R416UN, KD-R416UT, KD-R416UW, KD-R417EE, KD-R418J, KD-R418UF, KD-R419UR	KD-R35E, KD-R35EY, KD-R38EE, KD-R411E, KD-R411EU, KD-R411EY, KD-R412E, KD-R412EU, KD-R412EY, KD-R414UI, KD-R415U, KD-R415UH, KD-R415UN, KD-R415UT, KD-R415UW, KD-R416SUN, KD-R416U, KD-R416UH, KD-R416UN, KD-R416UT, KD-R416UW, KD-R417EE, KD-R418J, KD-R418UF, KD-R419UR, KD-S27J	
Cover Illustration		ILLUSTRATION(ma465_0001.png)	ILLUSTRATION(ma465_0001.png)	
SPECIFICATION	35	MP3 Decoding Format Max. Bit Rate: 320 kbps	MP3 Decoding Format: (MPEG1/2 Audio Layer 3) Max. Bit Rate: 320 kbps	
	52	KD-R418/KD-R419	KD-R418/KD-R419/ KD-S27	
	84	MP3 Decoding Format Max. Bit Rate: 320 kbps	MP3 Decoding Format: (MPEG1/2 Audio Layer 3) Max. Bit Rate: 320 kbps	

SECTION 5 TROUBLESHOOTING

Title	Line	No.MA465<Rev.002>	No.MA465<Rev.003>	Description
5 TROUBLESHOOTING	1	ILLUSTRATION(ma465_5001.png)	-	
	2	ILLUSTRATION(ma465_5002.png)	-	
	3	ILLUSTRATION(ma465_5003.png)	-	
	4	ILLUSTRATION(ma465_5004.png)	-	
	5	ILLUSTRATION(ma465_5005.png)	-	
5.1 16 PIN CORD DIAGRAM	T	-	5.1 16 PIN CORD DIAGRAM	
	1	-	1. For KD-R35, KD-R38, KD-R411, KD-R412, KD-R417	
	2	-	ILLUSTRATION(ma465_5001.png)	
	3	-	2. For KD-R414, KD-R415, KD-R416, KD-R418UF	
	4	-	ILLUSTRATION(ma465_5002.png)	
	5	-	3. For KD-R418J, KD-S27J	
	6	-	ILLUSTRATION(ma465_5003.png)	
	7	-	4. For KD-R416S	
	8	-	ILLUSTRATION(ma465_5004.png)	
	9	-	5. For KD-R419	
10	-	ILLUSTRATION(ma465_5005.png)		

STANDARD SCHEMATIC DIAGRAMS

Schematic Diagram

Diagram Name	No.MA465<Rev.002>	No.MA465<Rev.003>	Description
Menu	-	Rest section ma465_s008.svgz	
Menu	-	Photo section ma465_s009.svgz	
Menu	-	Main section (for KD-S27J) ma465_s011.svgz	
Menu	-	LCD & Key control section (for KD-S27J) ma465_s012.svgz	

Printed Circuit Board

Diagram Name	No.MA465<Rev.002>	No.MA465<Rev.003>	Description
Menu	-	Main board (for KD-S27J) ma465_p011.svgz	
Menu	-	Switch board (for KD-S27J) ma465_p012.svgz	
Menu	-	Sub board (for KD-S27J) ma465_p013.svgz	

Description of Major ICs

Diagram Name	No.MA465<Rev.002>	No.MA465<Rev.003>	Description
Menu	IC681: KSM-2003TN2M	IC681: KSM-2003TN5B	
Menu	-	IC301: MN6627946JE MN6627946JE.xml	
Menu	IC301: MN6627F946JCA MN6627F946JCA.xml	-	
Menu	-	IC1: TEF6614TV1S4-X TEF6614TV1S4-X.xml	

PARTS LIST

MODEL No. LIST

Model No.	No.MA465<Rev.003>
KD-R35E	01
KD-R35EY	02
KD-R38EE	03
KD-R411E	04
KD-R411EU	05
KD-R411EY	06
KD-R412E	07
KD-R412EU	08
KD-R412EY	09

Model No.	No.MA465<Rev.003>
KD-R414UI	0A
KD-R415U	0B
KD-R415UH	0C
KD-R415UN	0D
KD-R415UT	0E
KD-R415UW	0F
KD-R416SUN	10
KD-R416U	11
KD-R416UH	12

Model No.	No.MA465<Rev.003>
KD-R416UN	13
KD-R416UT	14
KD-R416UW	15
KD-R417EE	16
KD-R418J	17
KD-R418UF	18
KD-R419UR	19
KD-S27J	1A

General assembly [M1MM]

△	Symbol	or	Part No.		Part Name	Description	Qty	Models
			<Rev.002>	<Rev.003>				
	M1MM	26	-----	GE33794-022A	FINDER ASSY	(Addition)	1	1A
	M1MM	38	-----	GE10269-003A	REAR COVER	(Addition)	1	1A
	M1MM	44	-----	GE34371-001A	NAME PLATE	(Addition)	1	1A
	M1MM	46	-----	QLD0672-001	LCD MODULE	(Addition)	1	1A
	M1MM	57	-----	GE40493-002A	SHEET	(Addition)	1	1A
	M1MM	58	-----	GE40539-001A	SPECIAL SCREW	(Addition)	1	1A
	M1MM	59	-----	GE40225-001A	CAR STEREO TAG	(Addition)	1	1A
	M1MM	60	-----	GE40282-001A	LABEL	(Addition)	1	1A

CD mechanism (FMU-CD6-12D) [MBMM]

△	Symbol	or	Part No.		Part Name	Description	Qty	Models
			<Rev.002>	<Rev.003>				
	MBMM	16	LV36805-002A	LV36805-003A	M WHEEL GEAR		1	01,02,03,04,05,06,07,08,09,0A,0B,0C,0D,0E,0F,10,11,12,13,14,15,16,17,18,19,1A
	MBMM	33	LV36813-001A	LV36813-201A	SUB GUIDE CAP		1	01,02,03,04,05,06,07,08,09,0A,0B,0C,0D,0E,0F,10,11,12,13,14,15,16,17,18,19,1A
	MBMM	42	LV37326-003A	LV38975-001A	CLAMPER ASSY		1	01,02,03,04,05,06,07,08,09,0A,0B,0C,0D,0E,0F,10,11,12,13,14,15,16,17,18,19,1A
	MBMM	53	LV36821-001A	LV36821-201A	R ACT GEAR(2)		1	01,02,03,04,05,06,07,08,09,0A,0B,0C,0D,0E,0F,10,11,12,13,14,15,16,17,18,19,1A
	MBMM	54	LV36822-001A	LV36822-201A	R ACT GEAR(3)		1	01,02,03,04,05,06,07,08,09,0A,0B,0C,0D,0E,0F,10,11,12,13,14,15,16,17,18,19,1A
	MBMM	55	LV36823-001A	LV36823-201A	ROLLER GEAR		1	01,02,03,04,05,06,07,08,09,0A,0B,0C,0D,0E,0F,10,11,12,13,14,15,16,17,18,19,1A
	MBMM	56	LV44559-003A	LV44559-004A	ROLLER SHAFT		1	01,02,03,04,05,06,07,08,09,0A,0B,0C,0D,0E,0F,10,11,12,13,14,15,16,17,18,19,1A

Mecha control board (FMU-CD6-12D) [05]

△	Symbol	or	Part No.		Part Name	Description	Qty	Models
			<Rev.002>	<Rev.003>				
	05	IC301	MN6627F946JCA	MN6627946JE	IC (MCU)		1	01,02,03,04,05,06,07,08,09,0A,0B,0C,0D,0E,0F,10,11,12,13,14,15,16,17,18,19,1A
	05	Q303	RT1N441C-X	-----	TRANSISTOR	(Deletion)	1	01,02,03,04,06,05,07,09,08,0A,0B,0D,0E,0C,0F,11,13,14,12,15,16,17,18,10,19
	05	D301	MA2SD31-X	-----	SB DIODE	(Deletion)	1	01,02,03,04,06,05,07,09,08,0A,0B,0D,0E,0C,0F,11,13,14,12,15,16,17,18,10,19
	05	C343	NCB31CK-104X	-----	C CAPACITOR	(Deletion)	1	01,02,03,04,06,05,07,09,08,0A,0B,0D,0E,0C,0F,11,13,14,12,15,16,17,18,10,19
	05	C347	NCB31CK-104X	-----	C CAPACITOR	(Deletion)	1	01,02,03,04,06,05,07,09,08,0A,0B,0D,0E,0C,0F,11,13,14,12,15,16,17,18,10,19
	05	R246	-----	NRSA63J-0R0X	MG RESISTOR	(Addition)	1	01,02,03,04,05,06,07,08,09,0A,0B,0C,0D,0E,0F,10,11,12,13,14,15,16,17,18,19,1A
	05	R308	NRSA63J-104X	-----	MG RESISTOR	(Deletion)	1	01,02,03,04,06,05,07,09,08,0A,0B,0D,0E,0C,0F,11,13,14,12,15,16,17,18,10,19
	05	R309	NRSA63J-104X	-----	MG RESISTOR	(Deletion)	1	01,02,03,04,06,05,07,09,08,0A,0B,0D,0E,0C,0F,11,13,14,12,15,16,17,18,10,19
	05	R337	NRSA63J-473X	-----	MG RESISTOR	(Deletion)	1	01,02,03,04,06,05,07,09,08,0A,0B,0D,0E,0C,0F,11,13,14,12,15,16,17,18,10,19
	05	R361	NRSA63J-103X	-----	MG RESISTOR	(Deletion)	1	01,02,03,04,06,05,07,09,08,0A,0B,0D,0E,0C,0F,11,13,14,12,15,16,17,18,10,19
	05	CN301	QGA1002C1-06X	-----	CONNECTOR	(Deletion)	1	01,02,03,04,06,05,07,09,08,0A,0B,0D,0E,0C,0F,11,13,14,12,15,16,17,18,10,19

Main board S27J [07]

Δ	Symbol	or	Part No.		Part Name	Description	Qty	Models
			<Rev.002>	<Rev.003>				
Δ	07 IC1		-----	TEF6614TV1S4-X	IC	(Addition)	1	1A
	07 IC161		-----	TDA7718N-X	IC	(Addition)	1	1A
Δ	07 IC301		-----	TB2926CHQ	IC	(Addition)	1	1A
	07 IC581		-----	NJM4565E-X	IC	(Addition)	1	1A
Δ	07 IC701		-----	MN101E16KEK	IC(MCU)	(Addition)	1	1A
	07 IC702		-----	S-80824CNNB-G-W	IC	(Addition)	1	1A
	07 IC702	or	-----	IC-PST3424U-X	IC	(Addition)	1	1A
	07 IC771		-----	R1EX24002ASAA-X	IC	(Addition)	1	1A
Δ	07 IC901		-----	R2S25400DS-E	IC	(Addition)	1	1A
	07 IC951		-----	XC6213B332NG-X	IC	(Addition)	1	1A
	07 Q331		-----	IMX9-W	PAIR TRANSISTOR	(Addition)	1	1A
	07 Q701		-----	RT1N141C-X	DIGI TRANSISTOR	(Addition)	1	1A
	07 Q701	or	-----	UN2211-X	TRANSISTOR	(Addition)	1	1A
	07 Q781		-----	RT1P141C-X	DIGI TRANSISTOR	(Addition)	1	1A
	07 Q781	or	-----	UN2111-X	TRANSISTOR	(Addition)	1	1A
	07 Q782		-----	2SC1623A/5-6/-X	TRANSISTOR	(Addition)	1	1A
	07 Q782	or	-----	2SC3928A/QR/-X	TRANSISTOR	(Addition)	1	1A
	07 Q784		-----	RT1P141C-X	DIGI TRANSISTOR	(Addition)	1	1A
	07 Q784	or	-----	UN2111-X	TRANSISTOR	(Addition)	1	1A
	07 Q976		-----	RT1N141C-X	DIGI TRANSISTOR	(Addition)	1	1A
	07 Q976	or	-----	UN2211-X	TRANSISTOR	(Addition)	1	1A
	07 Q977		-----	2SA812A/5-6/-X	TRANSISTOR	(Addition)	1	1A
	07 Q977	or	-----	ISA1530AC1/QR/X	TRANSISTOR	(Addition)	1	1A
	07 Q978		-----	2SC1623A/5-6/-X	TRANSISTOR	(Addition)	1	1A
	07 Q978	or	-----	2SC3928A/QR/-X	TRANSISTOR	(Addition)	1	1A
	07 D331		-----	BAW56-TP-X	SI DIODE	(Addition)	1	1A
	07 D331	or	-----	MC2836-X	DIODE	(Addition)	1	1A
	07 D712		-----	DA2J101-X	SI DIODE	(Addition)	1	1A
	07 D715		-----	DZ2J051/M/-X	Z DIODE	(Addition)	1	1A
	07 D716		-----	DZ2J051/M/-X	Z DIODE	(Addition)	1	1A
	07 D717		-----	DZ2J051/M/-X	Z DIODE	(Addition)	1	1A
	07 D718		-----	DZ2J051/M/-X	Z DIODE	(Addition)	1	1A
	07 D781		-----	DA2J101-X	SI DIODE	(Addition)	1	1A
	07 D782		-----	NRSA02J-0R0X	MG RESISTOR	(Addition)	1	1A
	07 D784		-----	DZ2J100/M/-X	Z DIODE	(Addition)	1	1A
Δ	07 D901		-----	1N5401-BPC04	SI DIODE	(Addition)	1	1A
	07 D903		-----	DA2J101-X	SI DIODE	(Addition)	1	1A
	07 D971		-----	MBRX130-TP-X	SB DIODE	(Addition)	1	1A
	07 D971	or	-----	MA22D23-X	SB DIODE	(Addition)	1	1A
	07 D972		-----	MBRX130-TP-X	SB DIODE	(Addition)	1	1A
	07 D972	or	-----	MA22D23-X	SB DIODE	(Addition)	1	1A
	07 C1		-----	NCB31HK-102X	C CAPACITOR	(Addition)	1	1A
	07 C2		-----	NDC31HJ-7R0X	C CAPACITOR	(Addition)	1	1A
	07 C3		-----	NCB31HK-102X	C CAPACITOR	(Addition)	1	1A
	07 C4		-----	NCB31CK-224X	C CAPACITOR	(Addition)	1	1A
	07 C5		-----	NDC31HJ-150X	C CAPACITOR	(Addition)	1	1A
	07 C7		-----	NDC31HJ-220X	C CAPACITOR	(Addition)	1	1A
	07 C8		-----	NCJ11EK-106X-A	C CAPACITOR	(Addition)	1	1A
	07 C10		-----	NCB21EK-105X	C CAPACITOR	(Addition)	1	1A
	07 C11		-----	NCB31HK-103X	C CAPACITOR	(Addition)	1	1A
	07 C12		-----	NCB31HK-103X	C CAPACITOR	(Addition)	1	1A
	07 C13		-----	NCB21EK-105X	C CAPACITOR	(Addition)	1	1A
	07 C14		-----	NCB31CK-224X	C CAPACITOR	(Addition)	1	1A
	07 C15		-----	NCB31CK-104X	C CAPACITOR	(Addition)	1	1A
	07 C16		-----	NCB31HK-103X	C CAPACITOR	(Addition)	1	1A
	07 C17		-----	NCB31CK-104X	C CAPACITOR	(Addition)	1	1A
	07 C18		-----	NCB31HK-103X	C CAPACITOR	(Addition)	1	1A
	07 C19		-----	NCB31CK-104X	C CAPACITOR	(Addition)	1	1A
	07 C22		-----	NDC31HJ-120X	C CAPACITOR	(Addition)	1	1A
	07 C23		-----	NCB31CK-104X	C CAPACITOR	(Addition)	1	1A
	07 C24		-----	NCB31HK-103X	C CAPACITOR	(Addition)	1	1A
	07 C25		-----	NCB31HK-103X	C CAPACITOR	(Addition)	1	1A
	07 C27		-----	QEKJ1EM-106Z	E CAPACITOR	(Addition)	1	1A
	07 C33		-----	NDC31HJ-5R6X	C CAPACITOR	(Addition)	1	1A
	07 C162		-----	NCB31CK-105X	C CAPACITOR	(Addition)	1	1A
	07 C163		-----	QTE1H64-225Z	E CAPACITOR	(Addition)	1	1A

△	Symbol	or	Part No.		Part Name	Description	Qty	Models
			<Rev.002>	<Rev.003>				
07	C164		-----	NCB31CK-105X	C CAPACITOR	(Addition)	1	1A
07	C165		-----	NCB31CK-105X	C CAPACITOR	(Addition)	1	1A
07	C168		-----	NCB31CK-105X	C CAPACITOR	(Addition)	1	1A
07	C170		-----	QTE1A57-107Z	E CAPACITOR	(Addition)	1	1A
07	C172		-----	NCB31CK-105X	C CAPACITOR	(Addition)	1	1A
07	C173		-----	QTE1H64-225Z	E CAPACITOR	(Addition)	1	1A
07	C174		-----	NCB31CK-105X	C CAPACITOR	(Addition)	1	1A
07	C176		-----	QERF1HM-335Z-E	E CAPACITOR	(Addition)	1	1A
07	C177		-----	NDC31HJ-560X	C CAPACITOR	(Addition)	1	1A
07	C178		-----	QERF1CM-106Z-E	E CAPACITOR	(Addition)	1	1A
07	C184		-----	NCB31CK-104X	C CAPACITOR	(Addition)	1	1A
07	C301		-----	QTE1C66-474Z	E CAPACITOR	(Addition)	1	1A
07	C302		-----	QTE1C66-474Z	E CAPACITOR	(Addition)	1	1A
07	C303		-----	NCB21CK-474X-A	C CAPACITOR	(Addition)	1	1A
07	C304		-----	NCB21CK-474X-A	C CAPACITOR	(Addition)	1	1A
07	C311		-----	QTE1C66-474Z	E CAPACITOR	(Addition)	1	1A
07	C312		-----	QTE1C66-474Z	E CAPACITOR	(Addition)	1	1A
07	C313		-----	NCB21CK-474X-A	C CAPACITOR	(Addition)	1	1A
07	C314		-----	NCB21CK-474X-A	C CAPACITOR	(Addition)	1	1A
07	C315		-----	NCB31CK-105X	C CAPACITOR	(Addition)	1	1A
07	C316		-----	QEKJ1HM-475Z	E CAPACITOR	(Addition)	1	1A
07	C317		-----	QERF1CM-226Z-E	E CAPACITOR	(Addition)	1	1A
07	C326		-----	QERF1CM-106Z-E	E CAPACITOR	(Addition)	1	1A
07	C327		-----	NCB21AK-105X-A	C CAPACITOR	(Addition)	1	1A
07	C393		-----	QEKJ1HM-475Z	E CAPACITOR	(Addition)	1	1A
07	C394		-----	QEKJ1HM-475Z	E CAPACITOR	(Addition)	1	1A
07	C583		-----	NCB31HK-821X	C CAPACITOR	(Addition)	1	1A
07	C584		-----	NCB31HK-821X	C CAPACITOR	(Addition)	1	1A
07	C585		-----	QERF1EM-475Z-E	E CAPACITOR	(Addition)	1	1A
07	C586		-----	QERF1EM-475Z-E	E CAPACITOR	(Addition)	1	1A
07	C587		-----	NDC31HJ-151X	C CAPACITOR	(Addition)	1	1A
07	C588		-----	NDC31HJ-151X	C CAPACITOR	(Addition)	1	1A
07	C590		-----	QERF0JM-476Z-E	E CAPACITOR	(Addition)	1	1A
07	C591		-----	QERF1AM-107Z-E	E CAPACITOR	(Addition)	1	1A
07	C592		-----	NCB31HK-104X	C CAPACITOR	(Addition)	1	1A
07	C703		-----	NDC31HJ-8R0X	C CAPACITOR	(Addition)	1	1A
07	C704		-----	NDC31HJ-9R0X	C CAPACITOR	(Addition)	1	1A
07	C707		-----	QEKJ1CM-107Z	E CAPACITOR	(Addition)	1	1A
07	C708		-----	NCB31CK-104X	C CAPACITOR	(Addition)	1	1A
07	C709		-----	NCB31CK-104X	C CAPACITOR	(Addition)	1	1A
07	C711		-----	QEKJ0JM-476Z	E CAPACITOR	(Addition)	1	1A
07	C714		-----	NCB31CK-104X	C CAPACITOR	(Addition)	1	1A
07	C715		-----	NCB31CK-104X	C CAPACITOR	(Addition)	1	1A
07	C717		-----	NCB31HK-821X	C CAPACITOR	(Addition)	1	1A
07	C718		-----	NCB31CK-104X	C CAPACITOR	(Addition)	1	1A
07	C719		-----	QERF1AM-107Z	E CAPACITOR	(Addition)	1	1A
07	C720		-----	NDC31HJ-820X	C CAPACITOR	(Addition)	1	1A
07	C721		-----	NCB31CK-104X	C CAPACITOR	(Addition)	1	1A
07	C722		-----	QERF1EM-475Z	E CAPACITOR	(Addition)	1	1A
07	C725		-----	NCB31CK-105X	C CAPACITOR	(Addition)	1	1A
07	C733		-----	NCJ11EK-106X-A	C CAPACITOR	(Addition)	1	1A
07	C736		-----	NCB31CK-104X	C CAPACITOR	(Addition)	1	1A
07	C737		-----	NDC31HJ-101X	C CAPACITOR	(Addition)	1	1A
07	C771		-----	NCB31CK-473X	C CAPACITOR	(Addition)	1	1A
07	C781		-----	QEKJ0JM-107Z	E CAPACITOR	(Addition)	1	1A
07	C784		-----	QERF1CM-107Z	E CAPACITOR	(Addition)	1	1A
07	C901		-----	QEZ0870-278	E CAPACITOR	(Addition)	1	1A
07	C902		-----	NCB31AK-474X	C CAPACITOR	(Addition)	1	1A
07	C903		-----	QEKJ1CM-107Z	E CAPACITOR	(Addition)	1	1A
07	C904		-----	QERF1AM-227Z	E CAPACITOR	(Addition)	1	1A
07	C905		-----	QEKJ1CM-476Z	E CAPACITOR	(Addition)	1	1A
07	C906		-----	NCB31HK-103X	C CAPACITOR	(Addition)	1	1A
07	C907		-----	QEKJ1CM-107Z	E CAPACITOR	(Addition)	1	1A
07	C908		-----	QEKJ1CM-476Z	E CAPACITOR	(Addition)	1	1A
07	C910		-----	QEKJ1EM-106Z	E CAPACITOR	(Addition)	1	1A
07	C912		-----	NCB31HK-103X	C CAPACITOR	(Addition)	1	1A
07	C913		-----	QEKJ1EM-106Z	E CAPACITOR	(Addition)	1	1A
07	C915		-----	NCB31CK-104X	C CAPACITOR	(Addition)	1	1A

△	Symbol	or	Part No.		Part Name	Description	Qty	Models
			<Rev.002>	<Rev.003>				
07	C917		-----	QERF0JM-337Z	E CAPACITOR	(Addition)	1	1A
07	C951		-----	NCB31CK-104X	C CAPACITOR	(Addition)	1	1A
07	C952		-----	NCB31CK-104X	C CAPACITOR	(Addition)	1	1A
07	C971		-----	NCB31HK-104X	C CAPACITOR	(Addition)	1	1A
07	C991		-----	NCB31HK-472X	C CAPACITOR	(Addition)	1	1A
07	R1		-----	NRSA63J-474X	MG RESISTOR	(Addition)	1	1A
07	R2		-----	NRSA63J-474X	MG RESISTOR	(Addition)	1	1A
07	R3		-----	NRSA63J-101X	MG RESISTOR	(Addition)	1	1A
07	R4		-----	NRSA63J-472X	MG RESISTOR	(Addition)	1	1A
07	R5		-----	NRSA02J-470X	MG RESISTOR	(Addition)	1	1A
07	R6		-----	NRSA63J-0R0X	MG RESISTOR	(Addition)	1	1A
07	R7		-----	NRSA63J-0R0X	MG RESISTOR	(Addition)	1	1A
07	R8		-----	NRSA02J-470X	MG RESISTOR	(Addition)	1	1A
07	R11		-----	NRS181J-4R7X	MG RESISTOR	(Addition)	1	1A
07	R14		-----	NRSA63J-472X	MG RESISTOR	(Addition)	1	1A
07	R15		-----	NRS181J-472X	MG RESISTOR	(Addition)	1	1A
07	R161		-----	NRSA63J-472X	MG RESISTOR	(Addition)	1	1A
07	R162		-----	NRSA63J-472X	MG RESISTOR	(Addition)	1	1A
07	R163		-----	NRSA63J-123X	MG RESISTOR	(Addition)	1	1A
07	R164		-----	NRSA63J-222X	MG RESISTOR	(Addition)	1	1A
07	R165		-----	NRSA63J-123X	MG RESISTOR	(Addition)	1	1A
07	R168		-----	NRS181J-103X	MG RESISTOR	(Addition)	1	1A
07	R169		-----	NRSA63J-0R0X	MG RESISTOR	(Addition)	1	1A
07	R171		-----	NRSA63J-101X	MG RESISTOR	(Addition)	1	1A
07	R172		-----	NRSA63J-101X	MG RESISTOR	(Addition)	1	1A
07	R305		-----	NRSA63J-102X	MG RESISTOR	(Addition)	1	1A
07	R309		-----	NRS181J-100X	MG RESISTOR	(Addition)	1	1A
07	R310		-----	NRSA63J-472X	MG RESISTOR	(Addition)	1	1A
07	R341		-----	NRSA63J-222X	MG RESISTOR	(Addition)	1	1A
07	R342		-----	NRSA63J-821X	MG RESISTOR	(Addition)	1	1A
07	R343		-----	NRSA63J-101X	MG RESISTOR	(Addition)	1	1A
07	R344		-----	NRSA63J-473X	MG RESISTOR	(Addition)	1	1A
07	R351		-----	NRSA63J-222X	MG RESISTOR	(Addition)	1	1A
07	R352		-----	NRSA63J-821X	MG RESISTOR	(Addition)	1	1A
07	R353		-----	NRSA63J-101X	MG RESISTOR	(Addition)	1	1A
07	R354		-----	NRSA63J-473X	MG RESISTOR	(Addition)	1	1A
07	R389		-----	NRSA63J-0R0X	MG RESISTOR	(Addition)	1	1A
07	R390		-----	NRSA63J-0R0X	MG RESISTOR	(Addition)	1	1A
07	R583		-----	NRSA63J-153X	MG RESISTOR	(Addition)	1	1A
07	R584		-----	NRSA63J-153X	MG RESISTOR	(Addition)	1	1A
07	R585		-----	NRSA63J-562X	MG RESISTOR	(Addition)	1	1A
07	R586		-----	NRSA63J-562X	MG RESISTOR	(Addition)	1	1A
07	R587		-----	NRSA63J-273X	MG RESISTOR	(Addition)	1	1A
07	R588		-----	NRSA63J-273X	MG RESISTOR	(Addition)	1	1A
07	R591		-----	NRSA63J-103X	MG RESISTOR	(Addition)	1	1A
07	R592		-----	NRSA63J-103X	MG RESISTOR	(Addition)	1	1A
07	R593		-----	NRS181J-223X	MG RESISTOR	(Addition)	1	1A
07	R594		-----	NRSA63J-223X	MG RESISTOR	(Addition)	1	1A
07	R701		-----	NRSA63J-103X	MG RESISTOR	(Addition)	1	1A
07	R702		-----	NRSA63J-103X	MG RESISTOR	(Addition)	1	1A
07	R703		-----	NRSA63J-104X	MG RESISTOR	(Addition)	1	1A
07	R704		-----	NRSA63J-104X	MG RESISTOR	(Addition)	1	1A
07	R707		-----	NRSA63J-473X	MG RESISTOR	(Addition)	1	1A
07	R708		-----	NRSA63J-104X	MG RESISTOR	(Addition)	1	1A
07	R711		-----	NRSA63J-473X	MG RESISTOR	(Addition)	1	1A
07	R713		-----	NRSA63J-473X	MG RESISTOR	(Addition)	1	1A
07	R715		-----	NRSA63J-331X	MG RESISTOR	(Addition)	1	1A
07	R716		-----	NRSA63J-471X	MG RESISTOR	(Addition)	1	1A
07	R720		-----	NRSA63J-102X	MG RESISTOR	(Addition)	1	1A
07	R724		-----	NRSA63J-102X	MG RESISTOR	(Addition)	1	1A
07	R725		-----	NRSA63J-102X	MG RESISTOR	(Addition)	1	1A
07	R726		-----	NRSA63J-273X	MG RESISTOR	(Addition)	1	1A
07	R727		-----	NRSA63J-122X	MG RESISTOR	(Addition)	1	1A
07	R728		-----	NRSA63J-102X	MG RESISTOR	(Addition)	1	1A
07	R730		-----	NRSA63J-102X	MG RESISTOR	(Addition)	1	1A
07	R731		-----	NRSA63J-101X	MG RESISTOR	(Addition)	1	1A
07	R732		-----	NRSA63J-473X	MG RESISTOR	(Addition)	1	1A
07	R733		-----	NRSA63J-473X	MG RESISTOR	(Addition)	1	1A

△	Symbol	or	Part No.		Part Name	Description	Qty	Models
			<Rev.002>	<Rev.003>				
	07	R736	-----	NRSA63J-561X	MG RESISTOR	(Addition)	1	1A
	07	R737	-----	NRSA63J-561X	MG RESISTOR	(Addition)	1	1A
	07	R738	-----	NRSA63J-561X	MG RESISTOR	(Addition)	1	1A
	07	R739	-----	NRSA63J-101X	MG RESISTOR	(Addition)	1	1A
	07	R741	-----	NRSA63J-101X	MG RESISTOR	(Addition)	1	1A
	07	R742	-----	NRSA63J-101X	MG RESISTOR	(Addition)	1	1A
	07	R744	-----	NRS181J-101X	MG RESISTOR	(Addition)	1	1A
	07	R746	-----	NRSA63J-104X	MG RESISTOR	(Addition)	1	1A
	07	R747	-----	NRSA63J-103X	MG RESISTOR	(Addition)	1	1A
	07	R748	-----	NRSA63J-122X	MG RESISTOR	(Addition)	1	1A
	07	R749	-----	NRSA63J-102X	MG RESISTOR	(Addition)	1	1A
	07	R750	-----	NRSA63J-104X	MG RESISTOR	(Addition)	1	1A
	07	R752	-----	NRSA63J-472X	MG RESISTOR	(Addition)	1	1A
	07	R753	-----	NRSA63J-472X	MG RESISTOR	(Addition)	1	1A
	07	R755	-----	NRSA63J-472X	MG RESISTOR	(Addition)	1	1A
	07	R756	-----	NRSA63J-472X	MG RESISTOR	(Addition)	1	1A
	07	R758	-----	NRSA63J-473X	MG RESISTOR	(Addition)	1	1A
	07	R759	-----	NRSA63J-0R0X	MG RESISTOR	(Addition)	1	1A
	07	R761	-----	NRSA63J-102X	MG RESISTOR	(Addition)	1	1A
	07	R763	-----	NRSA63J-823X	MG RESISTOR	(Addition)	1	1A
	07	R765	-----	NRSA63J-472X	MG RESISTOR	(Addition)	1	1A
	07	R766	-----	NRSA63J-472X	MG RESISTOR	(Addition)	1	1A
	07	R767	-----	NRSA63J-473X	MG RESISTOR	(Addition)	1	1A
	07	R771	-----	NRSA63J-271X	MG RESISTOR	(Addition)	1	1A
	07	R772	-----	NRSA63J-271X	MG RESISTOR	(Addition)	1	1A
	07	R774	-----	NRSA63J-473X	MG RESISTOR	(Addition)	1	1A
	07	R775	-----	NRSA63J-222X	MG RESISTOR	(Addition)	1	1A
	07	R777	-----	NRSA63J-103X	MG RESISTOR	(Addition)	1	1A
	07	R779	-----	NRSA63J-101X	MG RESISTOR	(Addition)	1	1A
	07	R781	-----	NRS181J-473X	MG RESISTOR	(Addition)	1	1A
	07	R782	-----	NRSA63J-472X	MG RESISTOR	(Addition)	1	1A
	07	R783	-----	NRSA63J-103X	MG RESISTOR	(Addition)	1	1A
	07	R784	-----	NRSA63J-103X	MG RESISTOR	(Addition)	1	1A
	07	R901	-----	QRE141J-103Y	C RESISTOR	(Addition)	1	1A
	07	R902	-----	NRSA02J-0R0X	MG RESISTOR	(Addition)	1	1A
	07	R903	-----	NRSA02J-472X	MG RESISTOR	(Addition)	1	1A
	07	R930	-----	NRSA63J-103X	MG RESISTOR	(Addition)	1	1A
	07	R971	-----	NRS181J-332X	MG RESISTOR	(Addition)	1	1A
	07	R976	-----	NRSA02J-273X	MG RESISTOR	(Addition)	1	1A
	07	R977	-----	NRSA02J-123X	MG RESISTOR	(Addition)	1	1A
	07	L1	-----	NQL093K-R47X	P COIL	(Addition)	1	1A
	07	L2	-----	NQL093K-1R8X	P COIL	(Addition)	1	1A
	07	L3	-----	NQL093K-R22X	P COIL	(Addition)	1	1A
	07	L4	-----	QQR1872-001	RF COIL	(Addition)	1	1A
	07	L5	-----	QQL244J-561Z	COIL	(Addition)	1	1A
	07	L6	-----	QQL244J-561Z	COIL	(Addition)	1	1A
	07	L8	-----	QQL231K-4R7Y	INDUCTOR	(Addition)	1	1A
	07	L9	-----	QQL231K-4R7Y	INDUCTOR	(Addition)	1	1A
	07	L31	-----	NQL093K-R47X	P COIL	(Addition)	1	1A
	07	L701	-----	QQL231K-4R7Y	INDUCTOR	(Addition)	1	1A
	07	L702	-----	QQL231K-4R7Y	INDUCTOR	(Addition)	1	1A
△	07	L901	-----	QQR1852-001	CHOKE COIL	(Addition)	1	1A
△	07	L901	or	QQR0703-001	CHOKE COIL	(Addition)	1	1A
	07	L930	-----	NQLH25M-4R7X	COIL	(Addition)	1	1A
	07	CN501	-----	QGB2027ME-28	CONNECTOR	(Addition)	1	1A
	07	CN701	-----	QGZ1102J1-20	CONNECTOR	(Addition)	1	1A
	07	CN901	-----	QNZ0607-001	CAR CONNECTOR	(Addition)	1	1A
	07	J1	-----	QNB0190-001	ANT TERMINAL	(Addition)	1	1A
	07	J1	or	QNB0348-001	ANT TERMINAL	(Addition)	1	1A
	07	J321	-----	QNN0802-001	PIN JACK	(Addition)	1	1A
	07	K162	-----	NRSA02J-0R0X	MG RESISTOR	(Addition)	1	1A
	07	S701	-----	QSW0648-001Z	TACT SWITCH	(Addition)	1	1A
	07	X1	-----	QAX0952-001Z	CRYSTAL	(Addition)	1	1A
	07	X701	-----	QAX0667-001Z	C RESONATOR	(Addition)	1	1A
	07	X702	-----	QAX0953-001	CRYSTAL	(Addition)	1	1A

Switch board S27J [08]

△	Symbol	or	Part No.		Part Name	Description	Qty	Models
			<Rev.002>	<Rev.003>				
08	IC661		-----	PTC6526LQ-L	IC	(Addition)	1	1A
08	IC681		-----	KSM-2003TN5B	IR DETECT UNIT	(Addition)	1	1A
08	IC930		-----	TPS54040DQG-X	IC	(Addition)	1	1A
08	Q601		-----	2SA2188/F/-X	TRANSISTOR	(Addition)	1	1A
08	Q602		-----	RT1N141C-X	DIGI TRANSISTOR	(Addition)	1	1A
08	Q602	or	-----	UN2211-X	TRANSISTOR	(Addition)	1	1A
08	D633		-----	SML-D12V8W/PQ-X	LED	(Addition)	1	1A
08	D634		-----	SML-D12V8W/PQ-X	LED	(Addition)	1	1A
08	D635		-----	SML-D12V8W/PQ-X	LED	(Addition)	1	1A
08	D636		-----	SML-D12V8W/PQ-X	LED	(Addition)	1	1A
08	D638		-----	SML-D12V8W/PQ-X	LED	(Addition)	1	1A
08	D639		-----	SML-D12V8W/PQ-X	LED	(Addition)	1	1A
08	D640		-----	SML-D12V8W/PQ-X	LED	(Addition)	1	1A
08	D641		-----	SML-D12V8W/PQ-X	LED	(Addition)	1	1A
08	D642		-----	SML-D12V8W/PQ-X	LED	(Addition)	1	1A
08	D645		-----	SML-D12V8W/PQ-X	LED	(Addition)	1	1A
08	D646		-----	SML-D12V8W/PQ-X	LED	(Addition)	1	1A
08	D650		-----	LWA6SG/56L/-X	LED	(Addition)	1	1A
08	D652		-----	SML-D12V8W/PQ-X	LED	(Addition)	1	1A
08	D653		-----	SML-D12V8W/PQ-X	LED	(Addition)	1	1A
08	D654		-----	SML-D12V8W/PQ-X	LED	(Addition)	1	1A
08	D655		-----	SML-D12V8W/PQ-X	LED	(Addition)	1	1A
08	D661		-----	DA2J101-X	SI DIODE	(Addition)	1	1A
08	D662		-----	DZ2J051/M/-X	Z DIODE	(Addition)	1	1A
08	D691		-----	DZ2J051/M/-X	Z DIODE	(Addition)	1	1A
08	D692		-----	DZ2J051/M/-X	Z DIODE	(Addition)	1	1A
08	D930		-----	MBRX130-TP-X	SB DIODE	(Addition)	1	1A
08	D930	or	-----	MA22D23-X	SB DIODE	(Addition)	1	1A
08	C661		-----	NCB21EK-105X	C CAPACITOR	(Addition)	1	1A
08	C662		-----	NDC31HJ-151X	C CAPACITOR	(Addition)	1	1A
08	C663		-----	NCB31HK-223X	C CAPACITOR	(Addition)	1	1A
08	C665		-----	NCB31CK-104X	C CAPACITOR	(Addition)	1	1A
08	C666		-----	NCB31CK-104X	C CAPACITOR	(Addition)	1	1A
08	C682		-----	NCB31HK-104X	C CAPACITOR	(Addition)	1	1A
08	C687		-----	NCB31HK-102X	C CAPACITOR	(Addition)	1	1A
08	C688		-----	NCB31HK-102X	C CAPACITOR	(Addition)	1	1A
08	C692		-----	NCJ11EK-106X-R	C CAPACITOR	(Addition)	1	1A
08	C693		-----	NCJ11EK-106X-R	C CAPACITOR	(Addition)	1	1A
08	C930		-----	NCJ11EK-106X-R	C CAPACITOR	(Addition)	1	1A
08	C931		-----	NCJ11EK-106X-R	C CAPACITOR	(Addition)	1	1A
08	C932		-----	NCJ11EK-106X-R	C CAPACITOR	(Addition)	1	1A
08	C933		-----	NCB31HK-104X	C CAPACITOR	(Addition)	1	1A
08	C934		-----	NCB31HK-104X	C CAPACITOR	(Addition)	1	1A
08	C935		-----	NCB31HK-272X	C CAPACITOR	(Addition)	1	1A
08	C936		-----	NDC31HJ-5R6X	C CAPACITOR	(Addition)	1	1A
08	C937		-----	NCJ11EK-106X-R	C CAPACITOR	(Addition)	1	1A
08	C938		-----	NCJ11EK-106X-R	C CAPACITOR	(Addition)	1	1A
08	C939		-----	NDC31HJ-100X	C CAPACITOR	(Addition)	1	1A
08	R601		-----	NRSA63J-821X	MG RESISTOR	(Addition)	1	1A
08	R602		-----	NRSA63J-821X	MG RESISTOR	(Addition)	1	1A
08	R603		-----	NRSA63J-122X	MG RESISTOR	(Addition)	1	1A
08	R604		-----	NRSA63J-182X	MG RESISTOR	(Addition)	1	1A
08	R605		-----	NRSA63J-272X	MG RESISTOR	(Addition)	1	1A
08	R607		-----	NRSA63J-821X	MG RESISTOR	(Addition)	1	1A
08	R608		-----	NRSA63J-821X	MG RESISTOR	(Addition)	1	1A
08	R609		-----	NRSA63J-122X	MG RESISTOR	(Addition)	1	1A
08	R610		-----	NRSA63J-182X	MG RESISTOR	(Addition)	1	1A
08	R611		-----	NRSA63J-272X	MG RESISTOR	(Addition)	1	1A
08	R612		-----	NRSA63J-392X	MG RESISTOR	(Addition)	1	1A
08	R613		-----	NRSA63J-103X	MG RESISTOR	(Addition)	1	1A
08	R631		-----	NRS181J-471X	MG RESISTOR	(Addition)	1	1A
08	R632		-----	NRS181J-471X	MG RESISTOR	(Addition)	1	1A
08	R633		-----	NRS181J-561X	MG RESISTOR	(Addition)	1	1A
08	R634		-----	NRS181J-471X	MG RESISTOR	(Addition)	1	1A
08	R635		-----	NRS181J-471X	MG RESISTOR	(Addition)	1	1A
08	R636		-----	NRS181J-471X	MG RESISTOR	(Addition)	1	1A

△	Symbol	or	Part No.		Part Name	Description	Qty	Models
			<Rev.002>	<Rev.003>				
08	R637		-----	NRS181J-471X	MG RESISTOR	(Addition)	1	1A
08	R638		-----	NRS181J-471X	MG RESISTOR	(Addition)	1	1A
08	R648		-----	NRS181J-391X	MG RESISTOR	(Addition)	1	1A
08	R649		-----	NRS181J-391X	MG RESISTOR	(Addition)	1	1A
08	R650		-----	NRS181J-221X	MG RESISTOR	(Addition)	1	1A
08	R651		-----	NRS181J-271X	MG RESISTOR	(Addition)	1	1A
08	R652		-----	NRSA63J-472X	MG RESISTOR	(Addition)	1	1A
08	R653		-----	NRS181J-102X	MG RESISTOR	(Addition)	1	1A
08	R654		-----	NRSA63J-511X	MG RESISTOR	(Addition)	1	1A
08	R660		-----	NRSA63J-394X	MG RESISTOR	(Addition)	1	1A
08	R661		-----	NRSA63J-102X	MG RESISTOR	(Addition)	1	1A
08	R662		-----	NRSA63J-102X	MG RESISTOR	(Addition)	1	1A
08	R663		-----	NRSA63J-102X	MG RESISTOR	(Addition)	1	1A
08	R664		-----	NRSA63J-224X	MG RESISTOR	(Addition)	1	1A
08	R665		-----	NRSA63J-101X	MG RESISTOR	(Addition)	1	1A
08	R666		-----	NRSA63J-101X	MG RESISTOR	(Addition)	1	1A
08	R667		-----	NRSA63J-101X	MG RESISTOR	(Addition)	1	1A
08	R672		-----	NRSA63J-0R0X	MG RESISTOR	(Addition)	1	1A
08	R673		-----	NRSA63J-0R0X	MG RESISTOR	(Addition)	1	1A
08	R681		-----	NRSA63J-471X	MG RESISTOR	(Addition)	1	1A
08	R682		-----	NRSA63J-102X	MG RESISTOR	(Addition)	1	1A
08	R690		-----	NRSA63J-103X	MG RESISTOR	(Addition)	1	1A
08	R931		-----	NRSA63J-432X	MG RESISTOR	(Addition)	1	1A
08	R932		-----	NRSA63J-274X	MG RESISTOR	(Addition)	1	1A
08	R933		-----	NRSA63J-681X	MG RESISTOR	(Addition)	1	1A
08	R934		-----	NRSA63J-753X	MG RESISTOR	(Addition)	1	1A
08	R935		-----	NRSA63J-753X	MG RESISTOR	(Addition)	1	1A
08	R936		-----	NRSA63D-103X	MG RESISTOR	(Addition)	1	1A
08	R937		-----	NRSA63J-182X	MG RESISTOR	(Addition)	1	1A
08	R938		-----	NRSA63D-513X	MG RESISTOR	(Addition)	1	1A
08	L601		-----	NQR0007-002X	FERRITE BEADS	(Addition)	1	1A
08	L602		-----	NQR0007-002X	FERRITE BEADS	(Addition)	1	1A
08	L603		-----	NQR0007-002X	FERRITE BEADS	(Addition)	1	1A
08	L691		-----	NQR0536-001X	CHOKE COIL	(Addition)	1	1A
08	L931		-----	NQL52EM-220X	COIL	(Addition)	1	1A
08	CN601		-----	QGZ1102K1-20X	CONNECTOR	(Addition)	1	1A
08	CN603		-----	QNZ1006-001	USB CONNECTOR	(Addition)	1	1A
08	CN603	or	-----	QNZ0963-002	USB CONNECTOR	(Addition)	1	1A
08	EN601		-----	QSW1231-002	ROTARY ENCODER	(Addition)	1	1A
08	PJ601		-----	QNS0280-001	3.5 JACK	(Addition)	1	1A
08	S601		-----	NSW0326-001X	TACT SWITCH	(Addition)	1	1A
08	S602		-----	NSW0326-001X	TACT SWITCH	(Addition)	1	1A
08	S603		-----	NSW0326-001X	TACT SWITCH	(Addition)	1	1A
08	S604		-----	NSW0326-001X	TACT SWITCH	(Addition)	1	1A
08	S605		-----	NSW0326-001X	TACT SWITCH	(Addition)	1	1A
08	S606		-----	NSW0326-001X	TACT SWITCH	(Addition)	1	1A
08	S607		-----	NSW0326-001X	TACT SWITCH	(Addition)	1	1A
08	S608		-----	NSW0326-001X	TACT SWITCH	(Addition)	1	1A
08	S609		-----	NSW0326-001X	TACT SWITCH	(Addition)	1	1A
08	S610		-----	NSW0326-001X	TACT SWITCH	(Addition)	1	1A
08	S611		-----	NSW0326-001X	TACT SWITCH	(Addition)	1	1A

Packing and accessories [M3MM]

△	Symbol	or	Part No.		Part Name	Description	Qty	Models
			<Rev.002>	<Rev.003>				
M3MM	A4		-----	GET0698-001A	INST.BK/MANUAL	(Addition)	1	1A
M3MM	A5		-----	GET0698-002A	INST.BK/MANUAL	(Addition)	1	1A
M3MM	A26		-----	GET0222-001B	CAUTION SHEET	(Addition)	1	1A
M3MM	P1		-----	GE34372-001A	CARTON	(Addition)	1	1A
M3MM	P3		-----	QPC03004315PG	POLY BAG	(Addition)	1	1A



Victor Company of Japan, Limited

Mobile Entertainment Division 10-1,1chome,Ohwatari-machi,Maebashi-city,371-8543,Japan